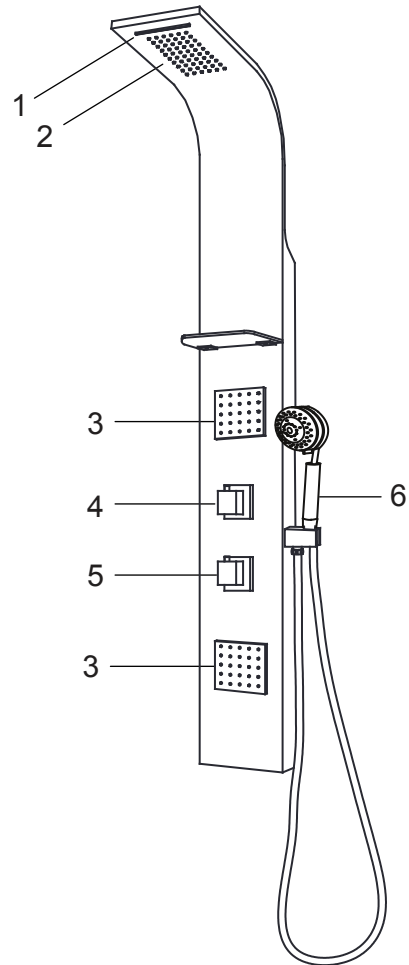
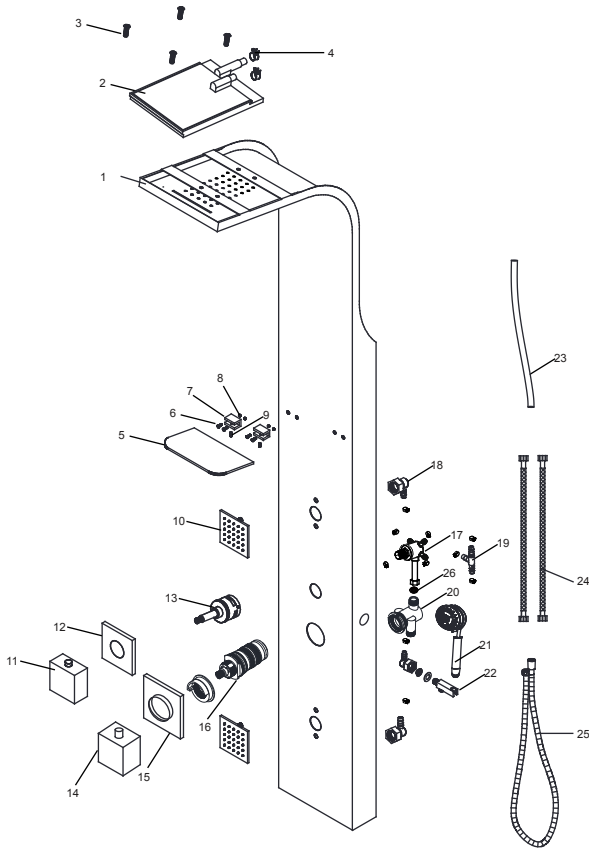


PARTS LIST



Component no.	Component	Material
1	body	s/s
2	head shower	ABS
3	screw 1	s/s
4	clip	s/s
5	shelf	glass
6	screw 2	s/s
7	glass clamp	brass
8	nut	s/s
9	screw 3	s/s
10	bodyjets	ABS
11	knob	zinc
12	knob plate cover	brass
13	cartridge	ABS
14	handle	zinc
15	handle plate cover	brass
16	thermostatic cartridge	ABS
17	faucet body 1	brass
18	one way joint	ABS
19	T-way joint	ABS
20	faucet body 2	brass
21	hand shower	ABS
22	hand shower holder	ABS
23	pvc hose	PVC
24	braided hose	s/s
25	flexible hose	s/s
26	flow restricter	ABS

- 1. Waterfall
- 2. Shower Head
- 3. Body Jets
- 4. Diverter
- 5. Mixer
- 6. Hand Shower



ASME A112.18.1/CSA B125.1

PERFECTION IS OUR TRADITION™