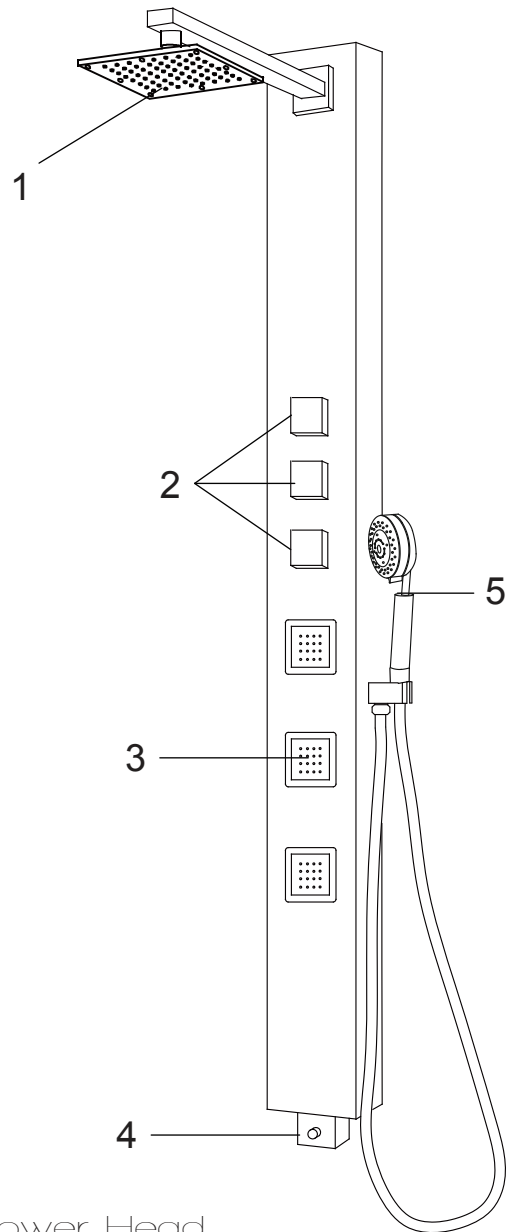
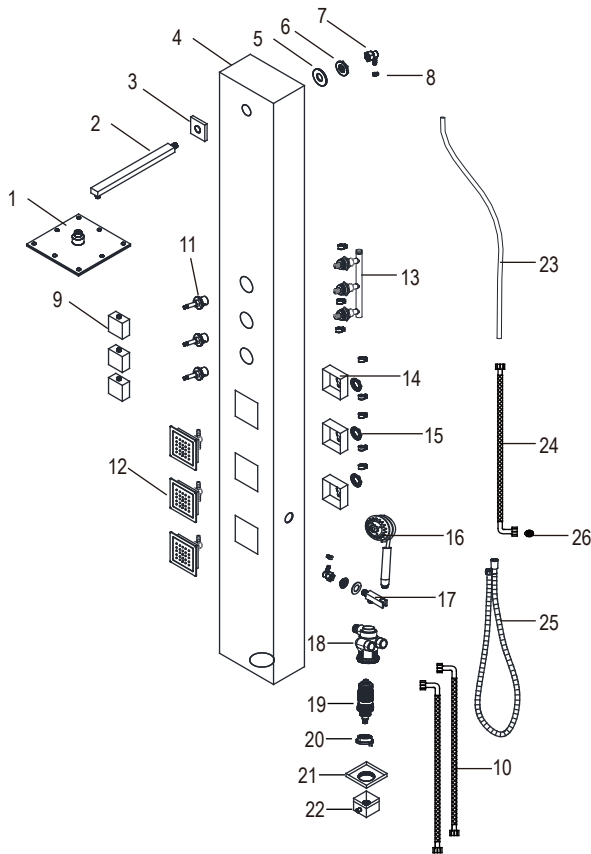


PARTS LIST



Component no.	Component	Material
1	head shower	s/s
2	arm bar	brass
3	flange	brass
4	body	s/s
5	washer 1	rubber
6	nut 1	brass
7	one way joint	ABS
8	clip	s/s
9	knob	zinc
10	elbow braided hose 2	s/s
11	cartridge	ABS
12	body jets	brass
13	on/off faucet	ABS
14	body jet cover	ABS
15	Nut 2	brass
16	hand shower	ABS
17	hand shower holder	ABS
18	thermostatic faucet	brass
19	thermostatic cartridge	ABS
20	cap	ABS
21	handle plate cover	brass
22	handle	zinc
23	pvc hose	PVC
24	elbow braided hose 1	s/s
25	flexible hose	s/s
26	flow restrictor	ABS

1. Shower Head
2. Diverter
3. Body Jets
4. Mixer
5. Hand Shower



ASME A112.18.1/CSA B125.1

PERFECTION IS OUR TRADITION™