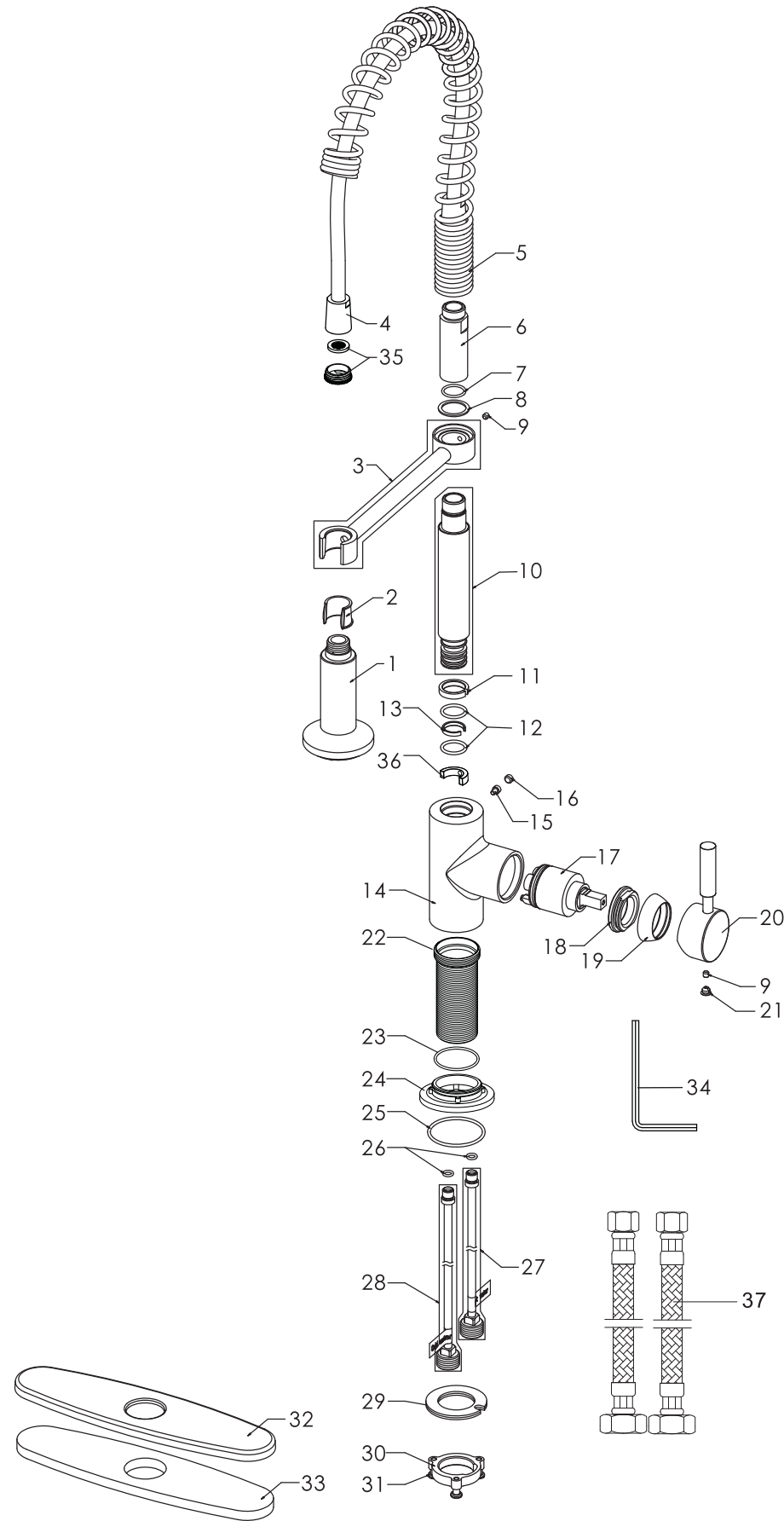
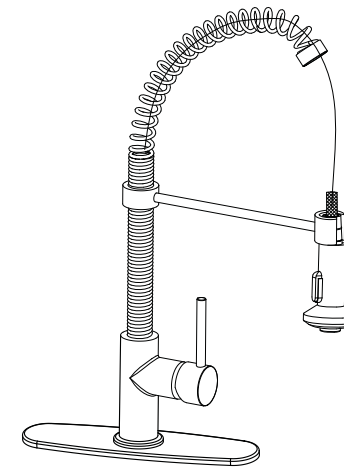


Step 4 Parts list



No.	Part Name
1	Spray Head
2	Sleeve
3	Holder
4	Hose
5	Spring Spout
6	Adapter
7	O-ring
8	Waearing Ring
9	Set Screw
10	Spout
11	Wearing Ring
12	O-ring
13	Waearing Ring
14	Body
15	Set Screw
16	Button
17	Ceramic Cartridge
18	Lock Nut
19	Trim Cap
20	Handle
21	Handle Button
22	Shank
23	O-ring
24	Base
25	O-ring
26	O-ring
27	Copper Tube
28	Copper Tube
29	Gasket Assembly
30	Lock Nut
31	Screw
32	Deck Plate
33	Gasket
34	Hex Wrench
35	Washer
36	Waearing Ring
37	Flexible hose

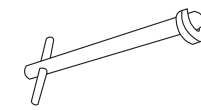


SINGLE HANDLE KITCHEN FAUCET

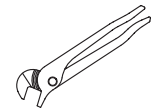


ASME A112.18.1/CSA B125.1

RECOMMENDED TOOLS



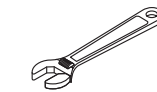
Basin wrench



Channel Locks



Goggles



Adjustable Wrench



Teflon tape



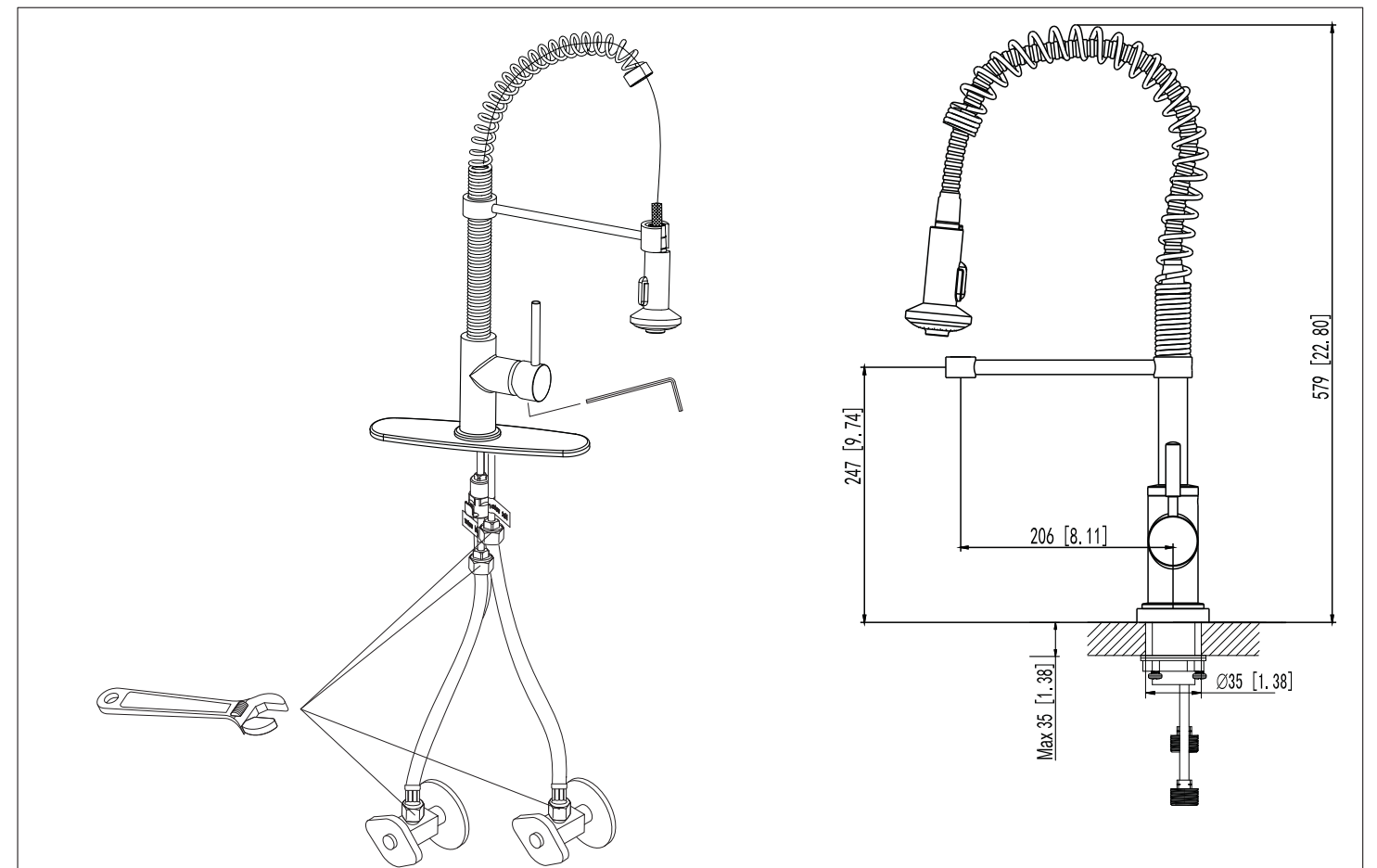
Allen key

WARNING:
Please keep the tool for future use!

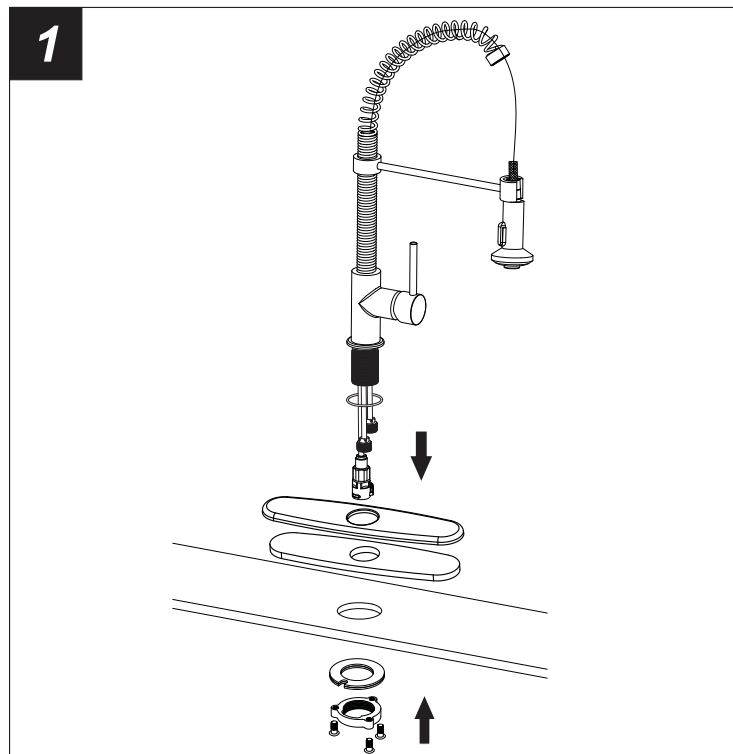


Attention:
for easy installation, you will need:
1. To read all the installation instruction completely before beginning.
2. To read all the warning, attention and maintenance information.
3. To purchase the proper supply lines.

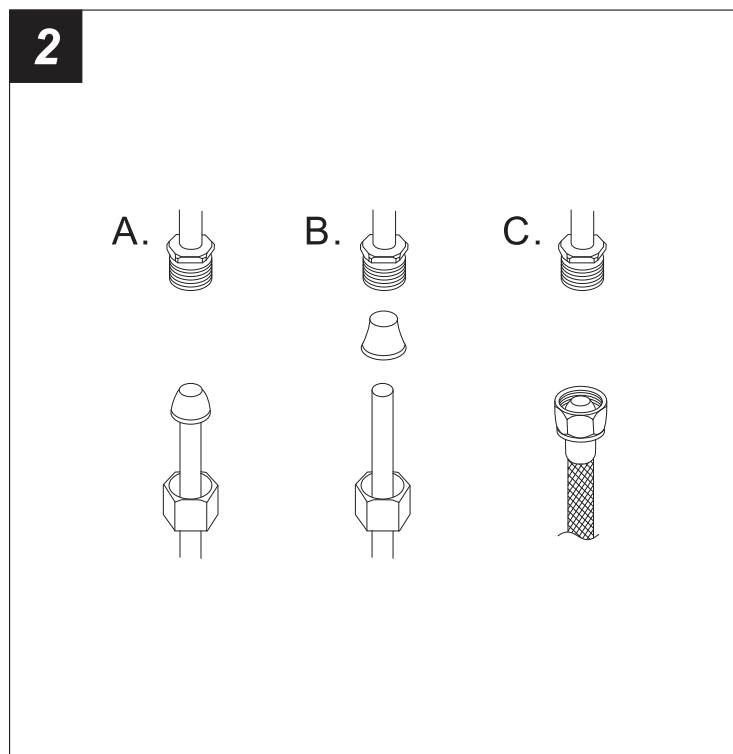
The tools might be applied to the following places:



Step 1 Faucet installation

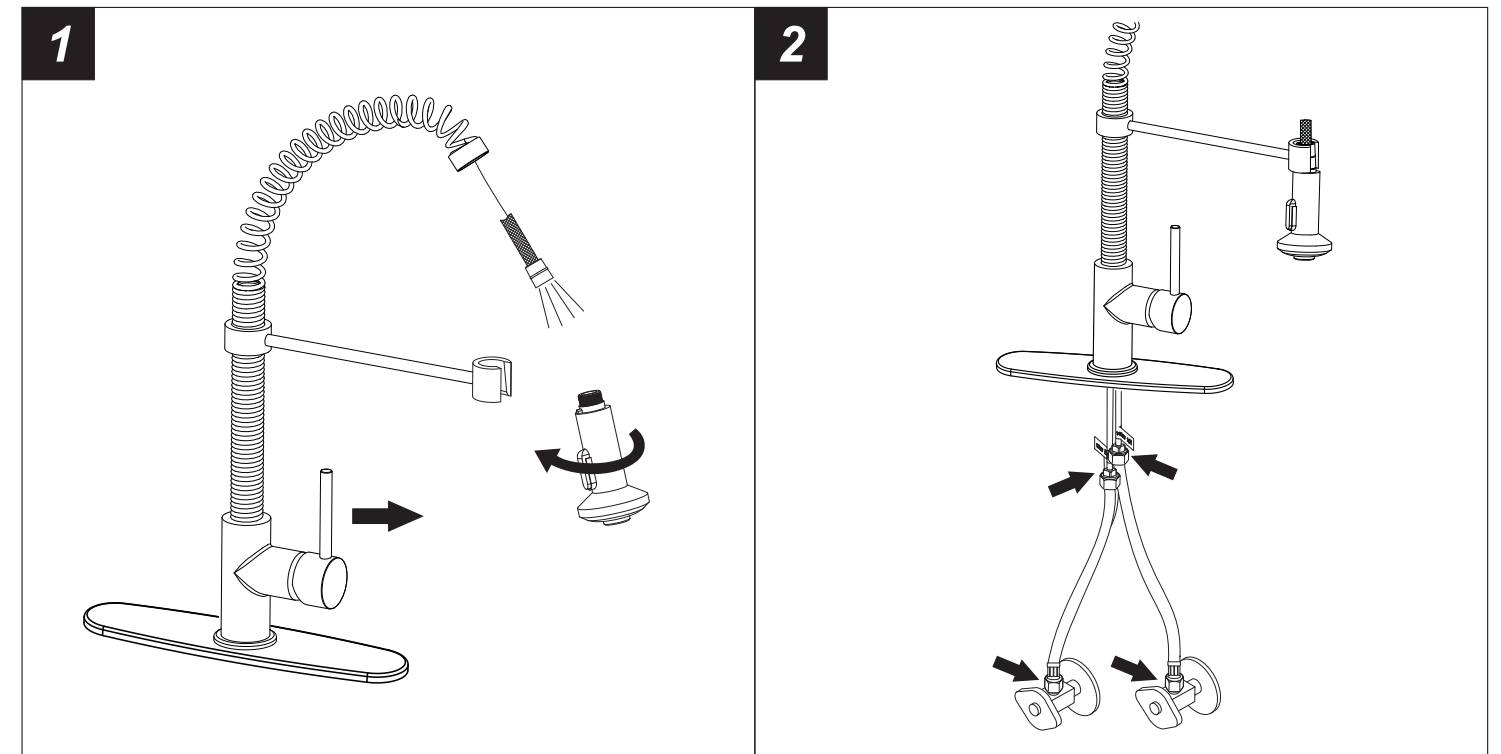


1. Position the faucet, deck plate and gasket in order on the counter top as shown. **Don't forget the O-ring.** Assemble gasket assembly and lock nut to faucet threaded sleeve by hand and tighten the screws with screwdriver.



3. Connect to water supply lines with either:
(A) 3/8" O.D. Copper tubing (ball nose risers with the coupling nuts) or;
(B) 3/8" Copper tubing (no ball) with supplied tube head interior connector or;
(C) IPS faucet connectors (1/2").

Step 2 Checking and testing



1. Remove the shower by hand. Turn the faucet handle all the way on, turn on hot and cold water supply and flush water lines for one minute. Reinstall shower by hand.
2. Check all connections at arrows for leaks, re-tighten it if necessary.



BUT DON'T OVERTIGHTEN

Step 3 Cleaning and care

Daily cleaning and care are required in order to keep the product shining and properly working.

- 1 Clean it with water and dry it with soft cloth.
- 2 Clean the product with gentle liquid or glass cleaner.
- 3 Don't use acid cleaner.
- 4 Don't clean with abrasive material, abrasive paper or knife.