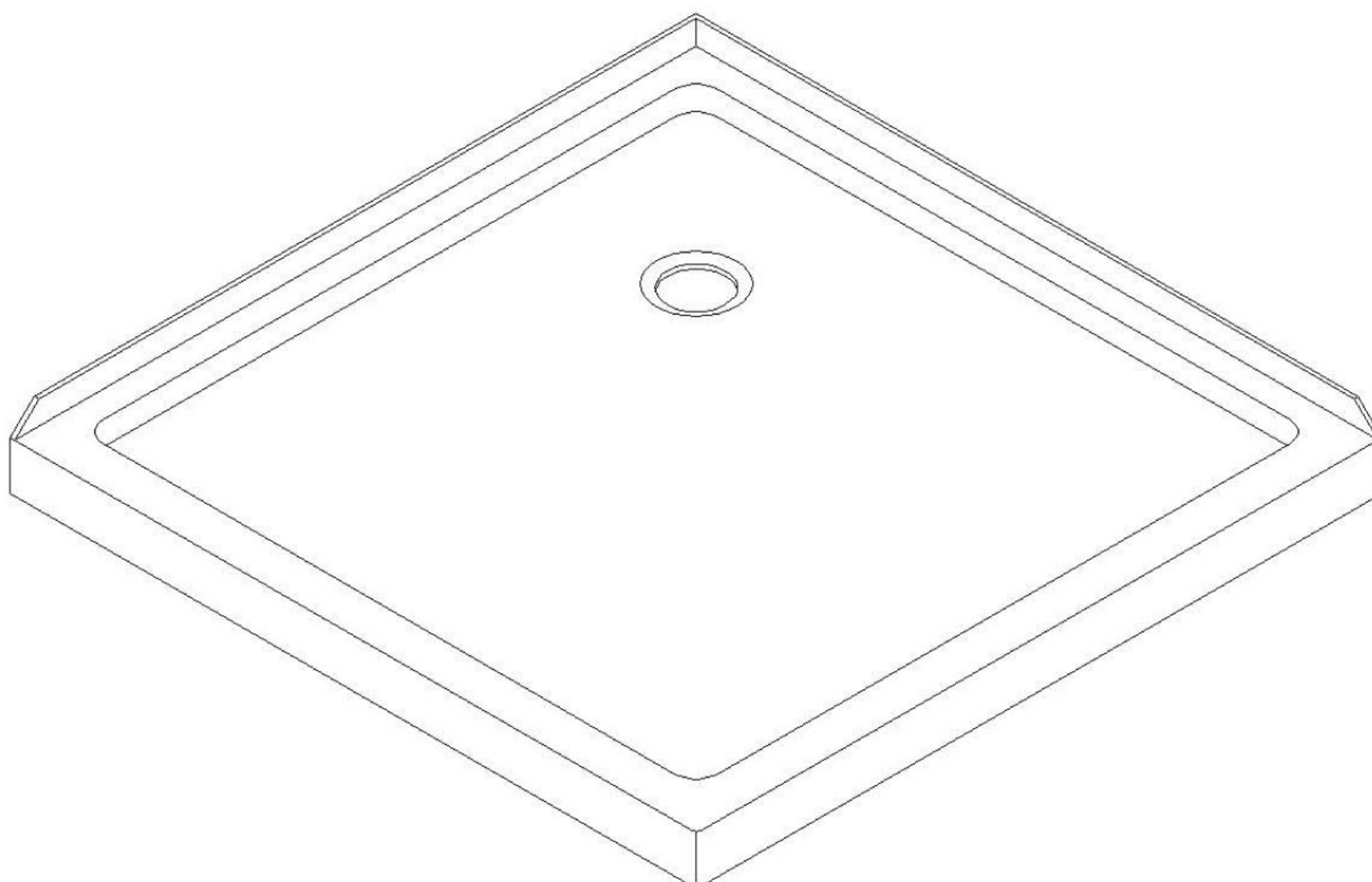


# ANZZI™

---

## SHOWER BASE INSTALLATION AND CARE GUIDE



SB-AZ03CD  
SB-AZ04CD  
SB-AZ03LD  
SB-AZ04LD  
SB-AZ03RD  
SB-AZ04RD  
SB-AZ01NO  
SB-AZ01RO  
SB-AZ022L  
SB-AZ022R  
SB-AZ02XX

For any questions or assistance simply call 1-844-44-ANZZI or visit us at [www.ANZZI.com](http://www.ANZZI.com)

## **Preparation**

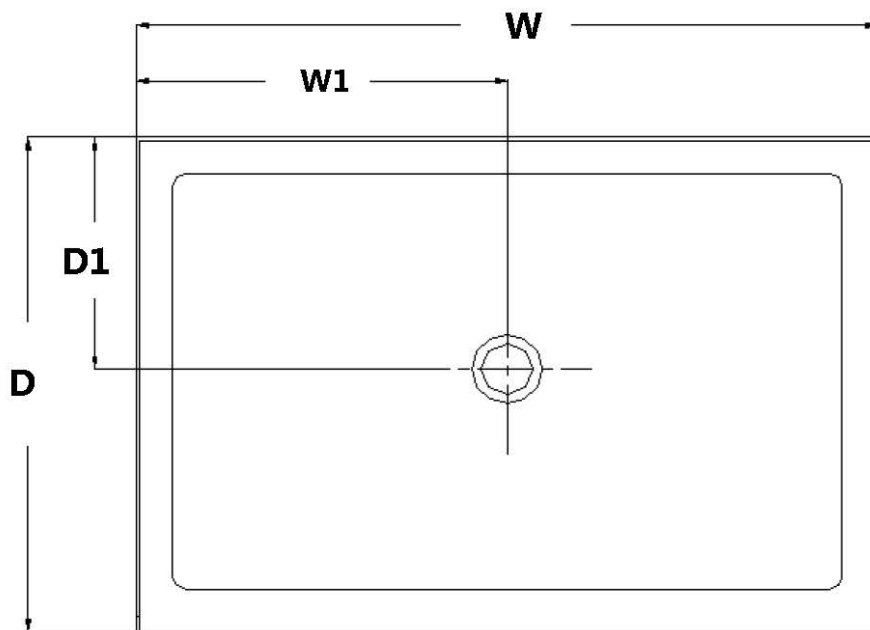
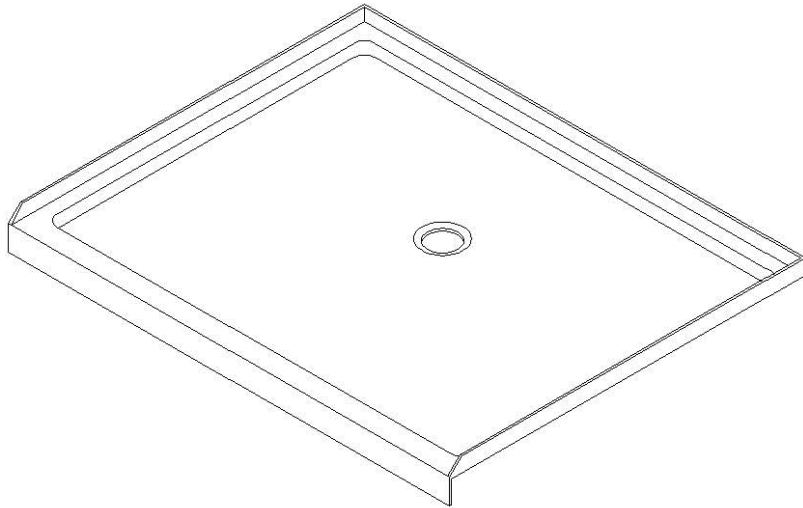
1. Prior to installation, examine all boxes and packages for shipping damage and compare the piece count with your packing slip. After opening all boxes and packages, read this introduction carefully. Check that all of the needed parts are included in the package by checking off the components on the "Detailed Diagram of Shower Door Components". If the unit has been damaged, has a finishing defect, or has missing parts, please contact our customer support department within 5 business days of the delivery date. Please note that **we will not replace any damaged products or missing parts free of charge after 10 business days or if the product has been installed.**
2. Install all of the required plumbing and drainage before installing the shower base. **Use a competent and licensed (if required by local code) plumber for all plumbing installation.**
3. **Shower bases must be installed by a licensed plumber. Please note that you should consult your local building codes with questions on installation compliance standards. Building and plumbing codes may vary by location, and we are not responsible for code compliance standards for your project.**
4. Please insure that prior to the installation the installation surface is leveled and solid and will be able to support the total weight of the unit. Also make sure the walls are at right angles. While some adjustment in leveling of the tray is possible, irregular installation surface level or improper angle of side walls will result in serious problems for your installation. Please, note that some adjustments may be necessary during the installation process.

**IMPORTANT NOTE: Dimensions provided are for reference only. You must measure the actual shower tray sizes before installation, this includes overall dimensions and drain location. Allowed tolerance for center of the drain is**

## SINGLE THRESHOLD SHOWER BASE

### Center Drain Configuration

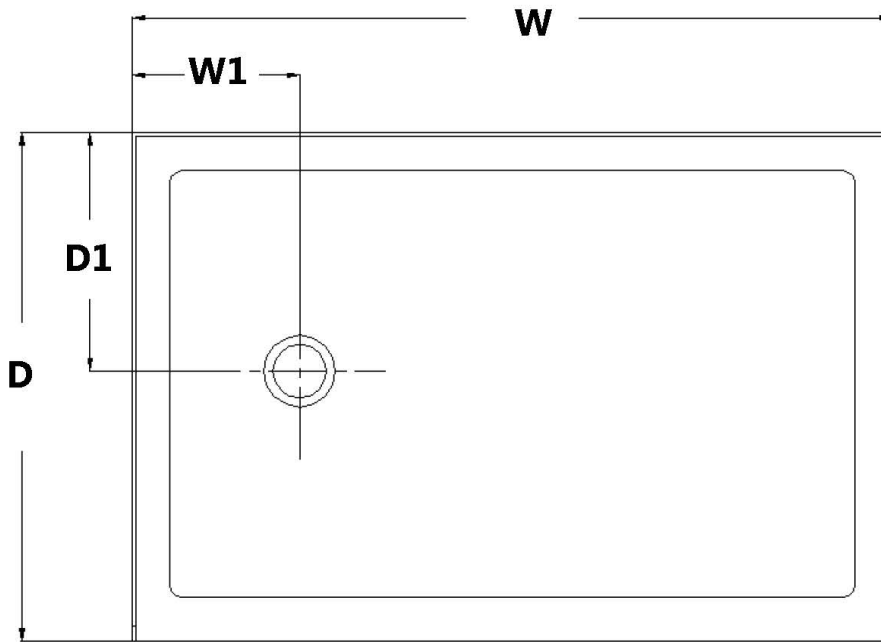
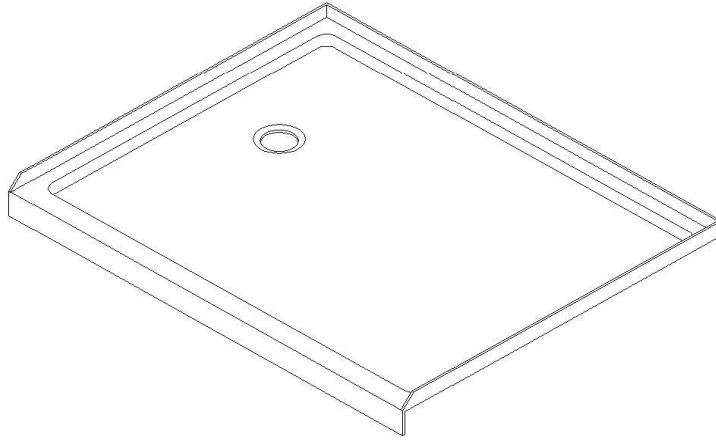
MODEL	SPECIFICATION	D (in)	W (in)	D1 (in)	W1 (in)
SB-AZ03CD	32"×60"	32"	60"	16"	30"
SB-AZ04CD	36"×60"	36"	60"	15"	30"



## SINGLE THRESHOLD SHOWER BASE

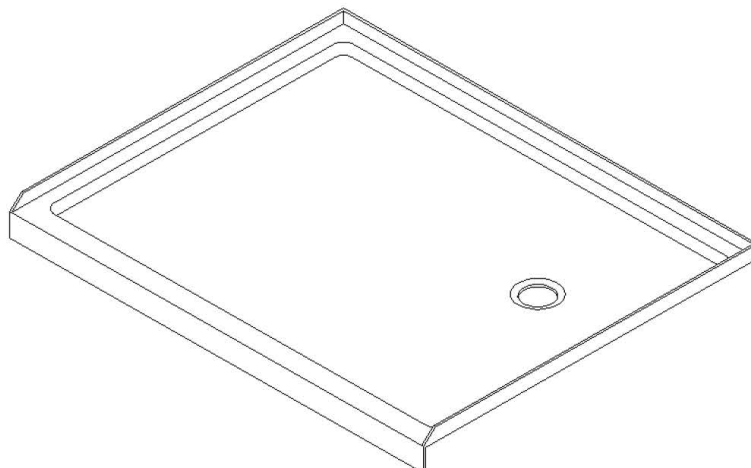
### Left-Hand Drain Configuration

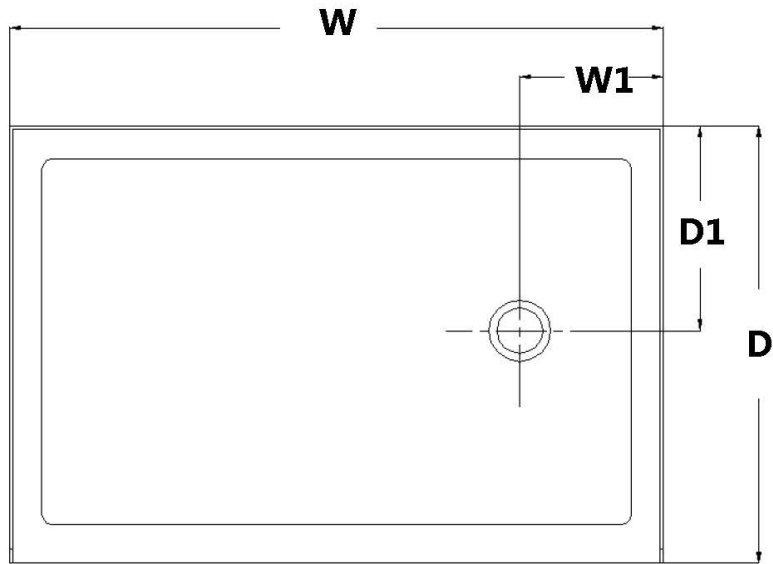
MODEL	SPECIFICATION	D (in)	W (in)	D1 (in)	W1 (in)
SB-AZ03LD	32"×60"	32"	60"	15"	12"
SB-AZ04LD	36"×60"	36"	60"	18"	12"



**SINGLE THRESHOLD SHOWER BASE**  
Right-Hand Drain Configuration

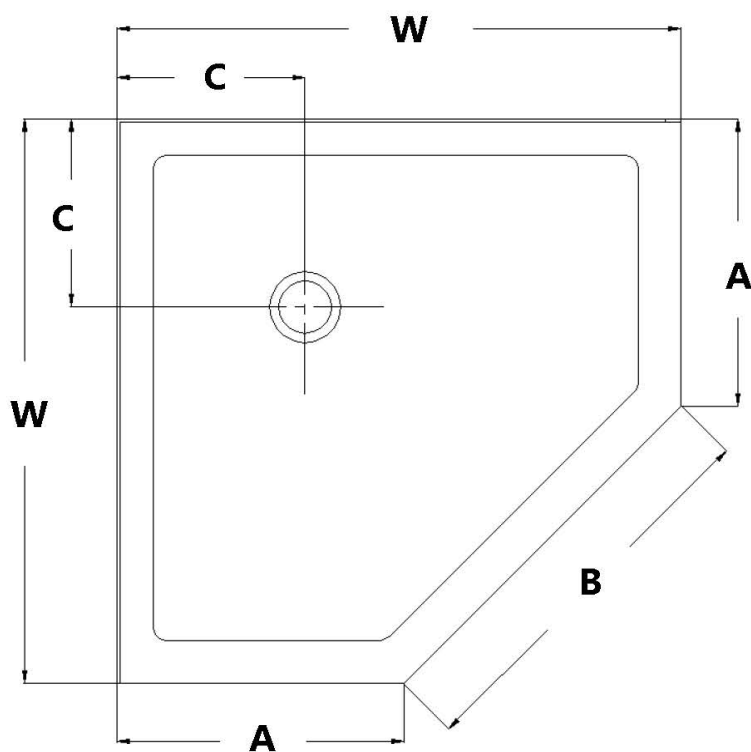
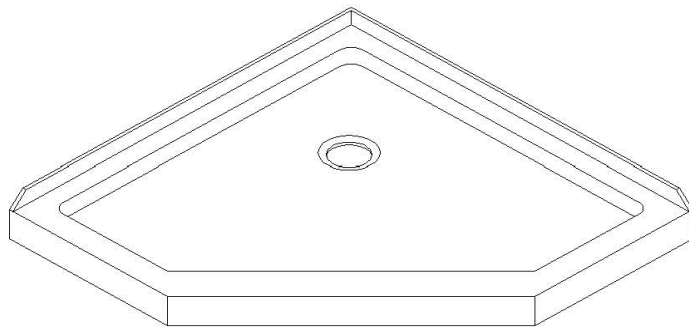
MODEL	SPECIFICATION	D (in)	W (in)	D1 (in)	W1 (in)
SB-AZ03RD	32"×60"	32"	60"	16"	12"
SB-AZ04RD	36"×60"	36"	60"	18"	12"





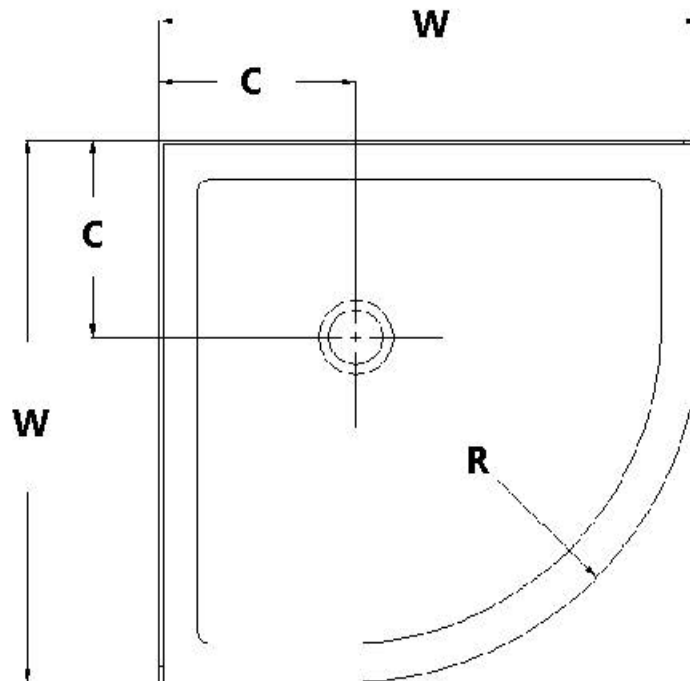
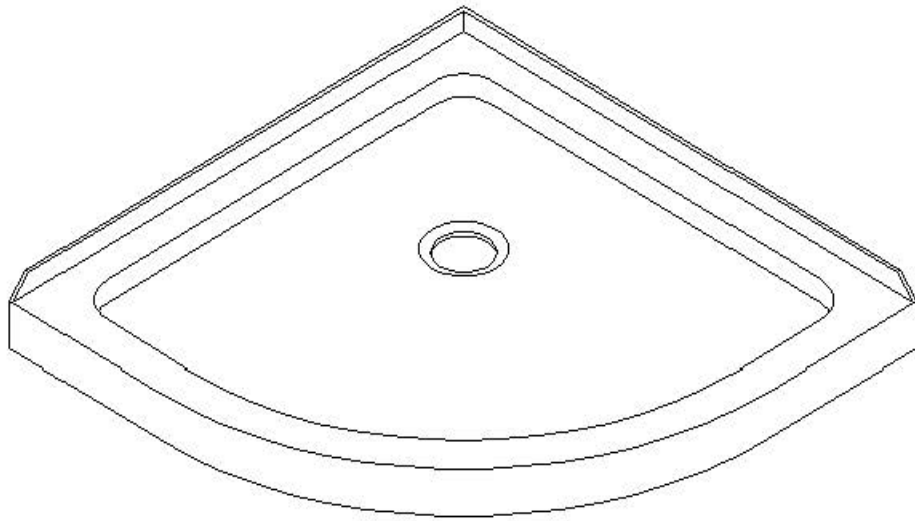
### NEO ANGLE SHOWER BASE

MODEL	SPECIFICATION	W (in)	A (in)	B (in)	C (in)
SB-AZ01NO	36"×36"	36"	16 1/2"	27"	12"



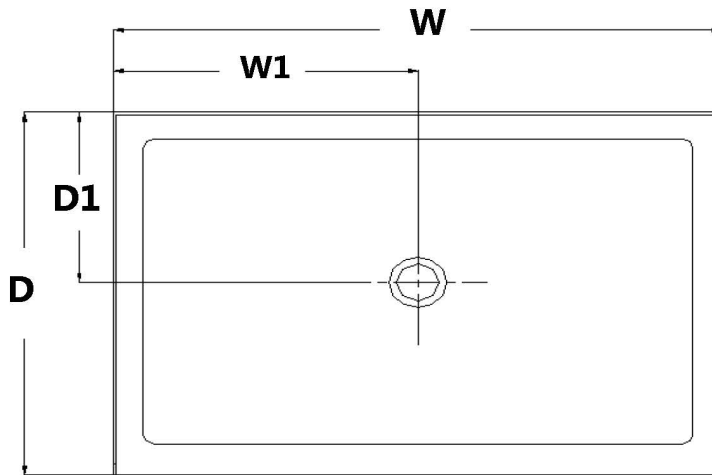
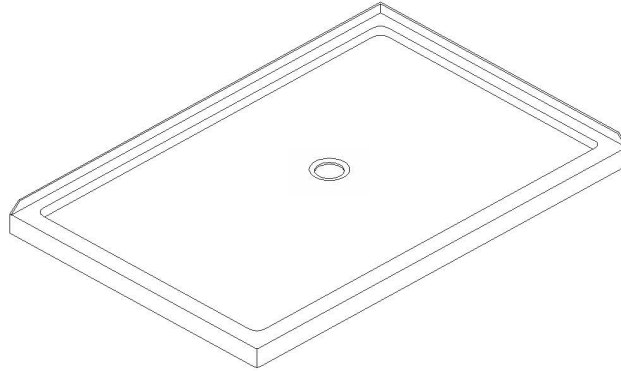
## QUARTER ROUND SHOWER BASE

MODEL	SPECIFICATION	W (in)	C (in)	R (in)
SB-AZ01RO	32"×32"	32"	12"	22"

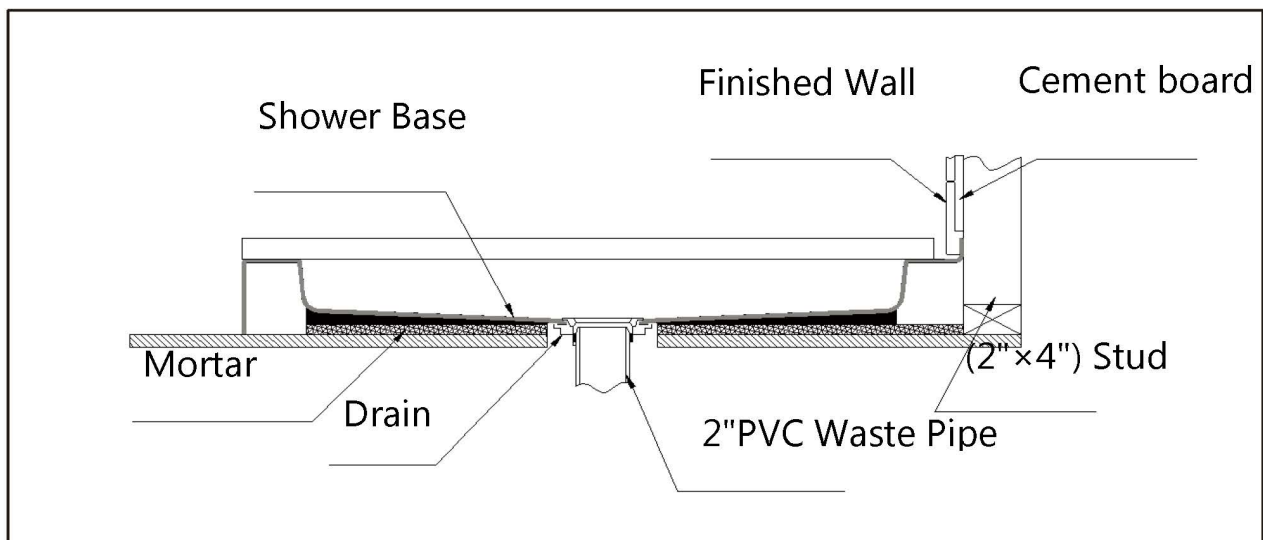


## DOUBLE THRESHOLD SHOWER BASE Center Drain Configuration

MODEL	SPECIFICATION	D (in)	W (in)	D1 (in)	W1 (in)
SB-AZ02XX	32"×48"	32"	48"	15"	24"
SB-AZ022L	32"×48"	32"	48"	15"	24"
SB-AZ022R	32"×48"	48"	32"	24"	15"



### Shower Base Cross Section Diagram





## Shower Base Installation - Preparation

1. Ensure that the floor and the studs are at right angles.  
Provide a 5"×5" opening in the sub-floor for the drain.  
The 2" PVC waste pipe should extend above the surface of the sub-floor according to the drain installation instructions and the height of the Shower base.  
Refer to the product drawings and tables in these installation instructions for the drain location.

See Fig. 1 and Fig. 2 for details.

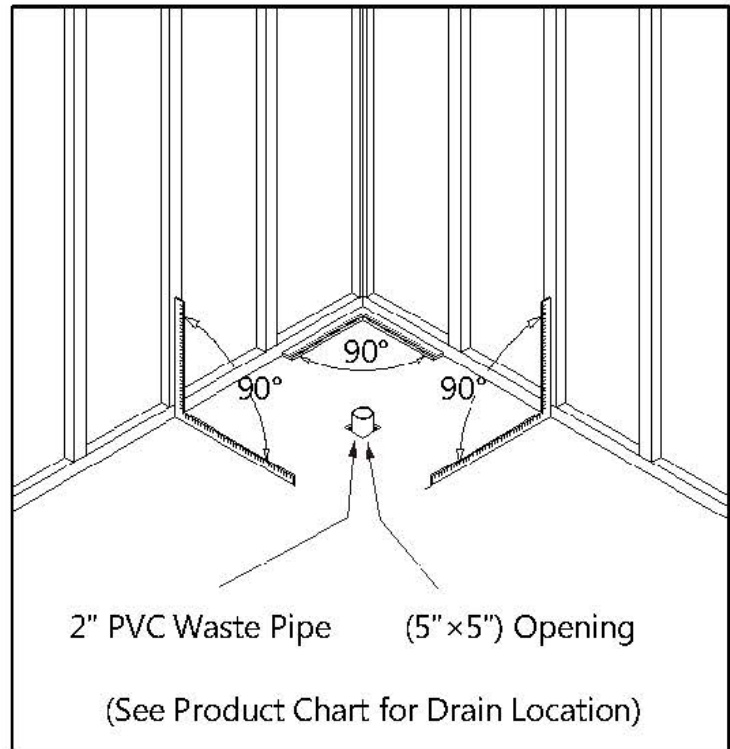


Fig. 1

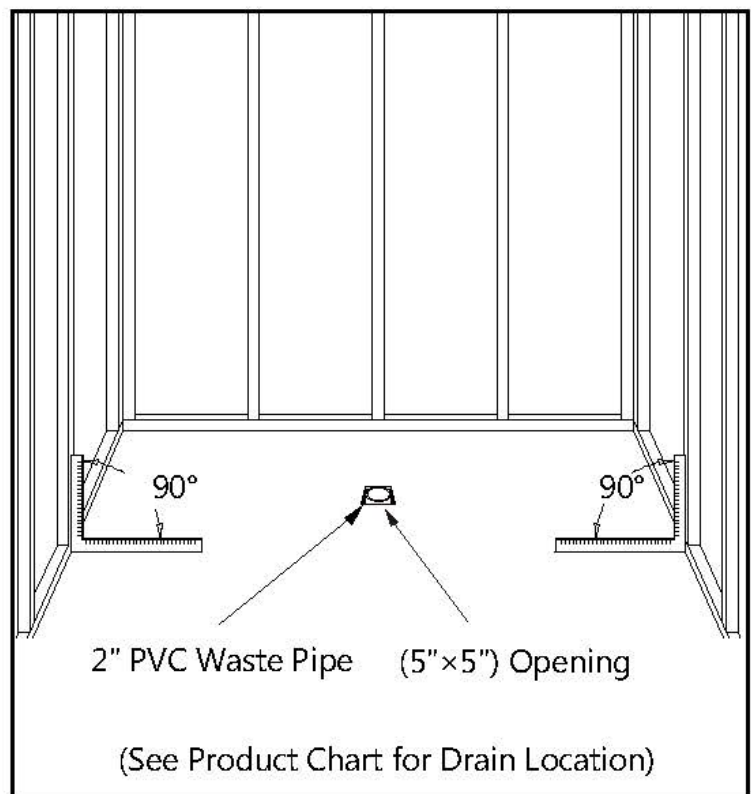


Fig. 2



2. Install the shower drain (**NOT INCLUDED**) according to the drain installation manual (supplied with the drain).

See Fig. 3 for example

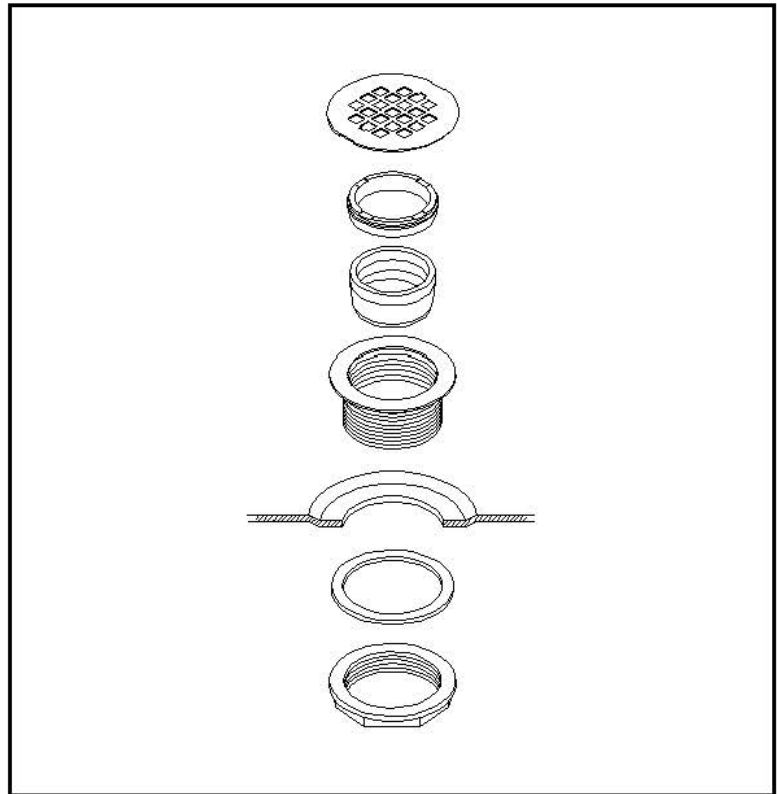
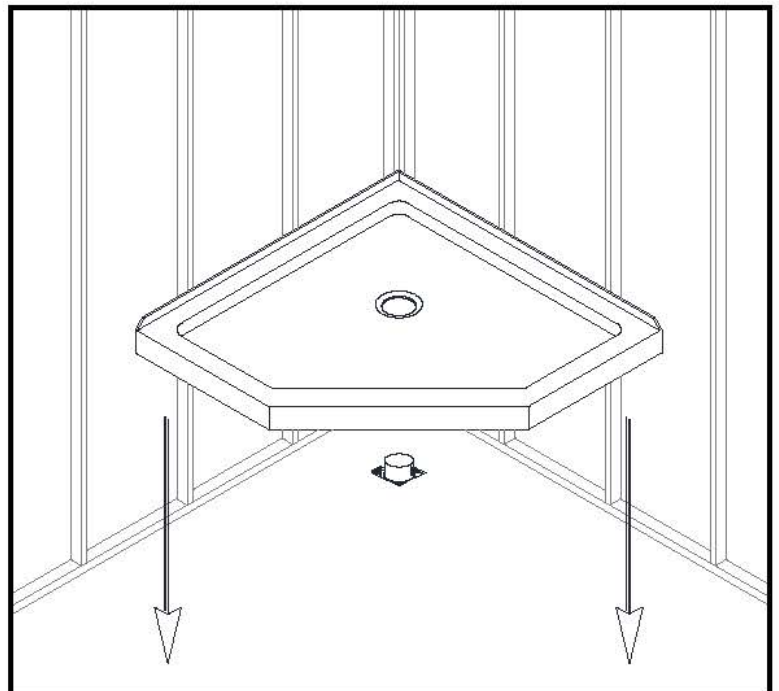


Fig. 3

3. Place the tray into the designated position so that the Drain Body drops around the Drain Pipe and butt the Shower Base up against the studs.

See Fig. 4 for details.



Lower the base over the drain pipe and set it into place against the studs.

Fig. 4

- Level the tray and place marks on the studs above the upper edge of the tile flange.

See Fig. 5 for details.

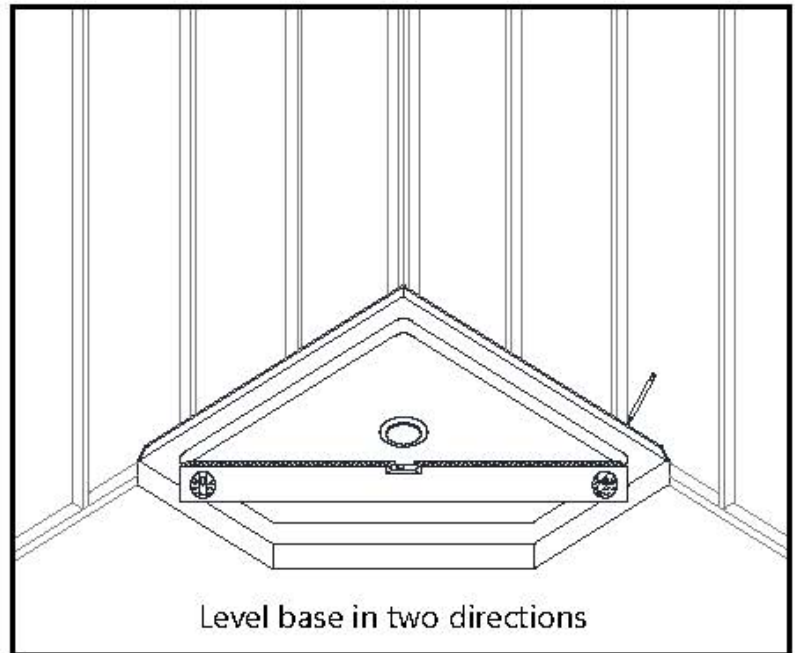


Fig. 5

- Mix the bedding material (Mortar, cement-sand mix, etc.) **Concrete or plaster is not recommended.** Apply enough bedding material to support the entire bottom of the shower base. This will add additional stability and prevent the base from shifting position.

See Fig. 6 for details.

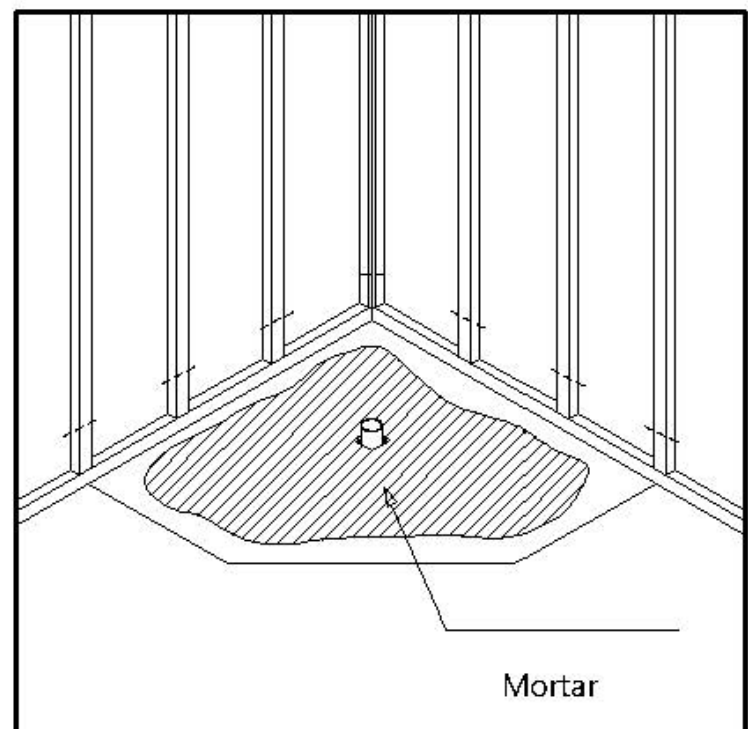
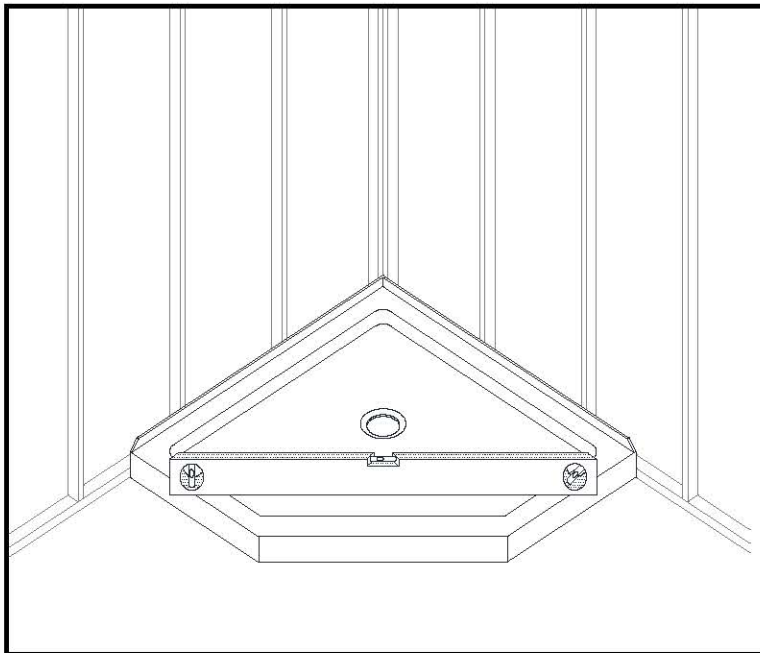


Fig. 6

6. After the bedding material has been poured and *before* it sets, place the shower base into the position with the drain assembly sliding over the PVC waste pipe. It will be necessary to push the shower base until the top of the tile flange aligns with the marks drawn on the studs and the front edge is contacting the rough floor along the entire length of the shower base. Ensure that the base is level in all directions. You may need to use shims to hold the tray in the level until the bedding settles and supports the tray. Remove all excess mortar.



See Fig. 7 for details.

Fig. 7

7. Allow the bedding material to completely harden before applying weight to the bottom of the shower base.

Install the cement board (or the wallboard) above the tile flanges and secure it to the studs. Put the tiles (or other finishing wall material) over the cement board leaving 1/8" gap between the bottom of the tile and the splash rim of the shower base. Use caulk to fill that gap. See Fig. 8 and Fig. 9 for details.

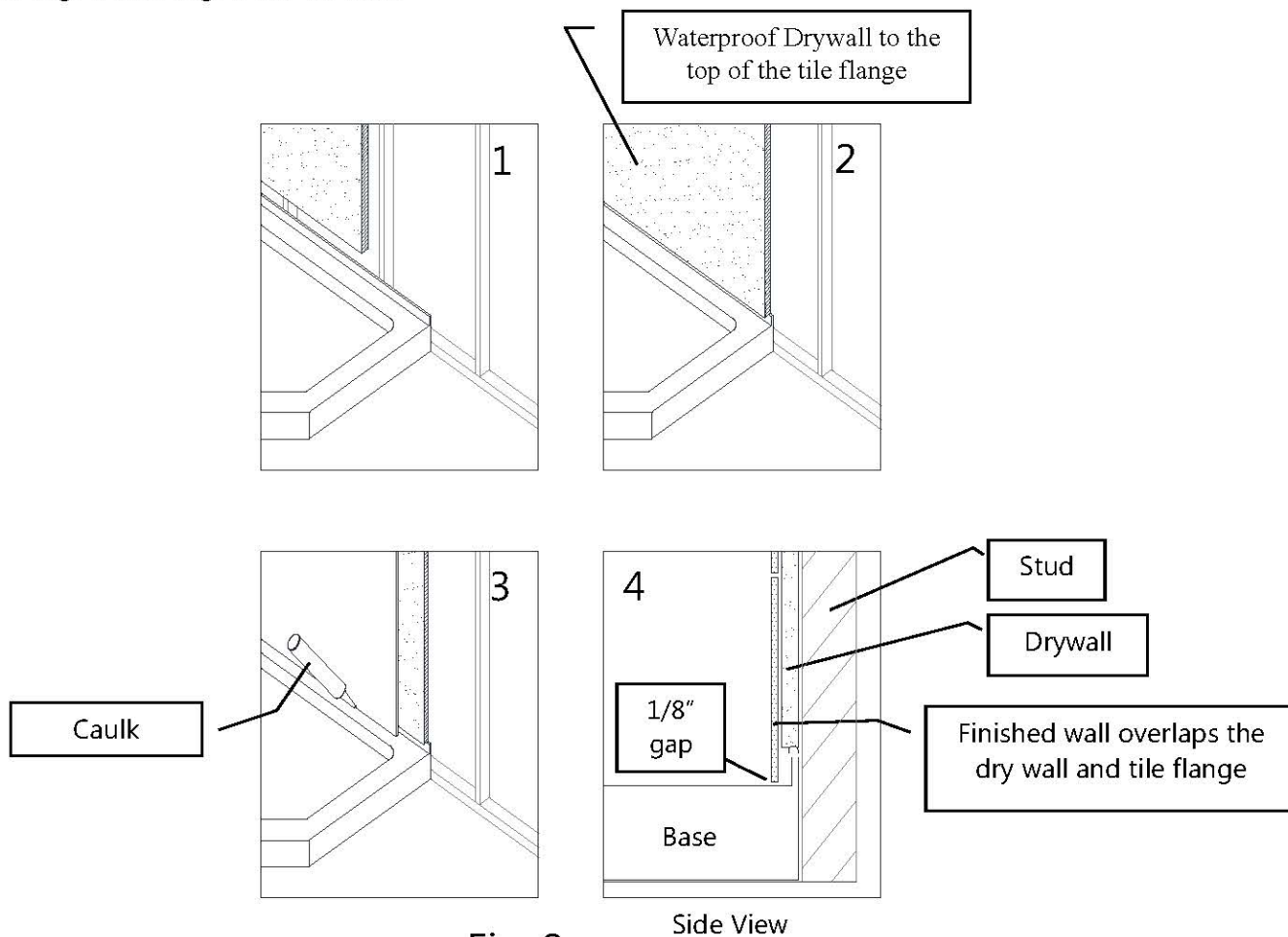


Fig. 8

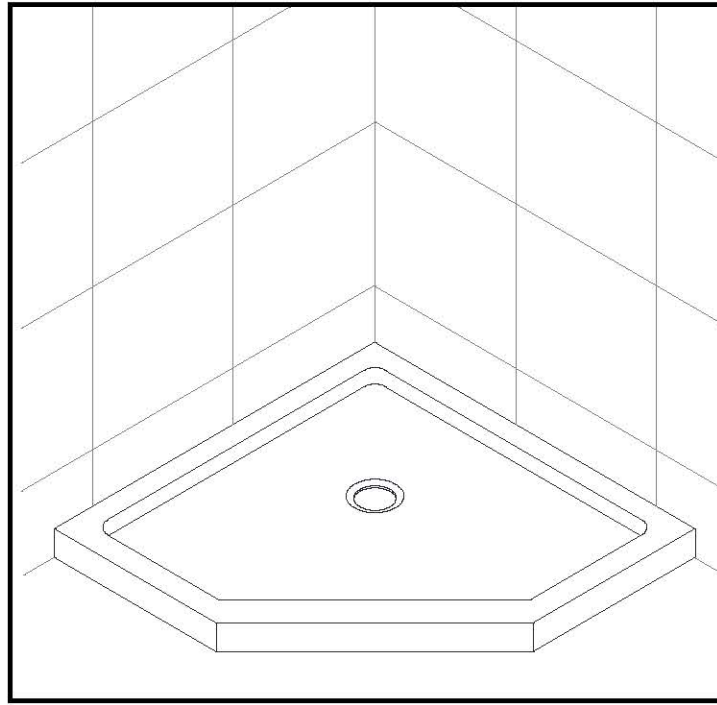


Fig. 9

### **Product maintenance**

To ensure long lasting life for your acrylic back walls, wipe them off after each use with a soft cloth. To clean the acrylic back walls use non-abrasive sprays or cream based cleaners. Never use abrasive cleansers, metal brushes or scrapers that could scratch or dull the surface.

To ensure long lasting life for your glass shower products, wipe them off after each use with a soft cloth. Rinse and wipe of the glass using either soft cloth or squeegee to prevent soap buildup. Never use abrasive cleaners and cleaning products that contain scoring agent because this may scratch the surface. Never use bristle brushes or abrasive sponges.

To assure a long lasting finish wipe off the metal parts after each use with a soft cloth. Do not use abrasive cleaners or cleaning products containing ammonia, bleach or acid. If accidentally used, rinse the surface as soon as possible to prevent finish peeling or corrosion. After cleaning the shiny finishes, rinse thoroughly and wipe dry with soft cloth. Clean stainless steel surfaces at least once a week. When applying stainless steel cleaner or polish, work with (not across) the grain. Never use abrasive sponge or cloth, steel wool or wired brushes.