

ANZZI GLASS SHOWER DOOR  
INSTALL GUIDE

**Models:**

**SD-AZ07-01 (SD-AZ8073-01)**

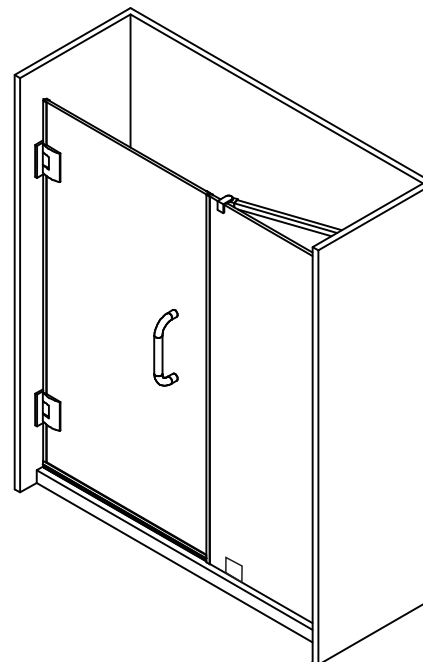
**SD-AZ09-01 (SD-AZ8075-01)**

**SD-AZ09-02 (SD-AZ8075-02)**

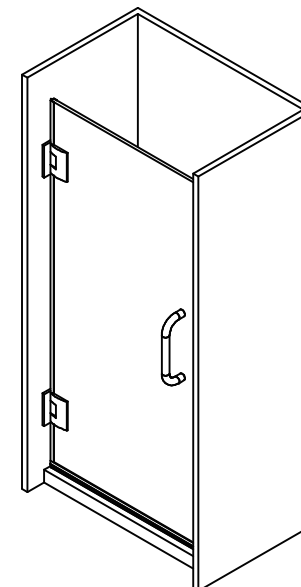
**DON'T WAIT!  
REGISTER NOW!**

Register your product within 30 days to ensure your bathtub is recognized as an official purchase and is eligible for warranty coverage.

Mail in the completed registry card (Pg. 2) or register online at [www.ANZZI.com/register](http://www.ANZZI.com/register).



**SD-AZ07-01 (SD-AZ8073-01)**



**SD-AZ09-01 (SD-AZ8075-01)  
SD-AZ09-02 (SD-AZ8075-02)**

Need help? For technical support call **305-614-4070** or visit us at [www.ANZZI.com](http://www.ANZZI.com)

This version supersedes all previous versions as of 05/10/2022



# PRODUCT REGISTRATION\*

IMPORTANT: YOUR WARRANTY WILL NOT BE RECOGNIZED UNLESS THIS CARD IS FULLY COMPLETED AND RETURNED OR ONLINE REGISTRATION IS COMPLETED.

To ensure that your warranty is registered and confirmed please do one of the following:

- 1. Register online at [www.ANZZI.com/register](http://www.ANZZI.com/register).** You will be asked to fill out the same information you would in the registration card. Registering online is fast, secure and ensures we receive your information.
- 2. Complete, cut-out and mail the registration card below.** By returning this registration card we confirm the date of purchase for your new product. This confirmation will allow us to process any warranty claims.

Mail the card to: 5701 NW 35 Avenue, Miami, FL 33142



## Product Registration Card

Name ..... Address .....

City ..... State ..... Zip .....

Phone ..... Email .....

Date of Purchase ..... Order or Purchase # ..... SKU or Model # .....

Installer's Name ..... Phone .....

I have read the Owner's Manual carefully and understand and agree that any installation, operation or maintenance of the bathtub must be done strictly in accordance with instructions and guidelines contained in the owner's manual and installation guide.

Signature \_\_\_\_\_ Date \_\_\_\_\_

# GETTING STARTED

***Notice: This assembly requires two people due to the weight of the glass doors. Professional installers are highly recommended.***

1. Carefully inspect all boxes and packages to make sure no damage occurred during shipping. If you find a unit has been damaged, is missing parts, or has finishing defects, immediately contact customerservice.

2. Once all boxes and packages are inspected and opened, thoroughly read through this instruction manual. Take time to view the "Detailed Diagram of Shower Door Components" page and mark each piece as you ensure all necessary parts required for assembly are included in the package. Note: Keep in mind that we are not responsible for code compliance standards for your project and we will not accept any returns. Plumbing and building codes differ from one location to another, so it is crucial to review your local building codes before installation to help answer any questions you have about installation compliance standards.

3. For installation in a newly constructed area, be sure to install all required drainage and plumbing before shower installation. Check local code requirements for plumbing installation as some areas require installation by a licensed and experienced plumber.

4. Make sure the installation surface area is level, solid, and can support the entire weight of the unit and the walls are plumb before beginning installation. Leveling adjustments and drilling may be necessary depending on the unit being installed. Major problems may occur if the surface area isn't level and installation is abnormal. It is recommended that all primary surfaces of the unit be protected during installation. Avoid setting the glass directly onto a tile floor. For best protection practice, use a piece of cardboard or wood to keep the bottom edge and corners of the glass from becoming damaged.

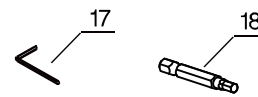
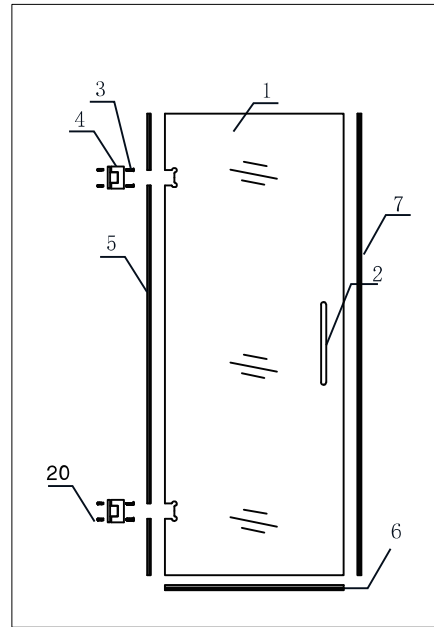
5. CAUTION: Ensure your walls are at right angles as doors under 30" do NOT have out-of-plumb adjustments.

6. NOTE: Commonly used parts are packed inside the carton and there may be some unused or remaining parts.

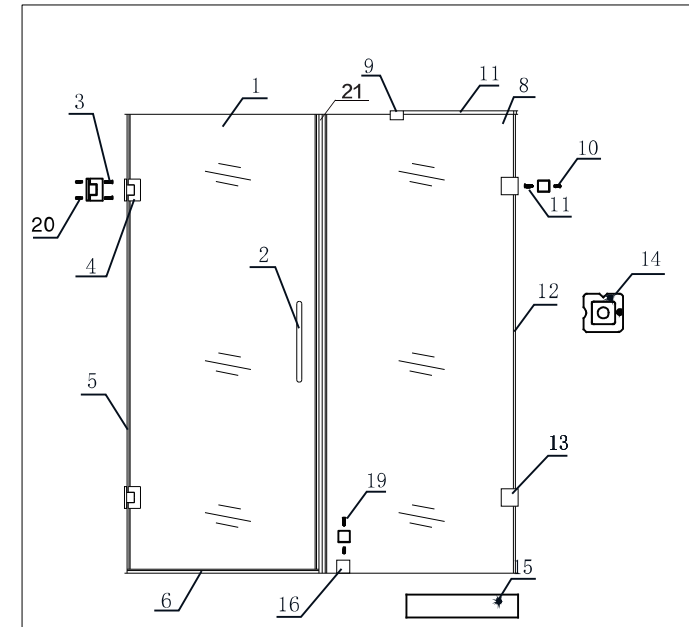
7. Due to the weight and hinges of this door, it MUST be attached to the studs or preinstalled behind-the-wall 2x6 wood reinforcement.

# PARTS LIST

1. (1x) Glass panel
2. (1x) Handle
3. (8x) Cross screw ST5x40
4. (2x) Hinge
5. (1x) Side Anti-water strip
6. (1x) Bottom water proof strip
7. (1x) Bumper strip
8. (1x) Glass panel
9. (1x) Support bar
10. (4x) Wall anchor
11. (3x) Hexagon socket screw ST5x40
12. (1x) Water proof strip for Door
13. (2x) Wall bracket
14. (1x) Silicone cleaner
15. (2x) Glass bottom protection seal
16. (1x) Ground clamp
17. (1x) Allen keys 4 mm
18. (1x) Hexagonal wind bit 4mm
19. (1x) Cross screw ST4,2x20
20. (8x) Wall anchor ST 5x40
21. (1x) Magnetic strip



**SD-AZ09-01 (SD-AZ8075-01)**  
**SD-AZ09-02 (SD-AZ8075-02)**  
**Design A**



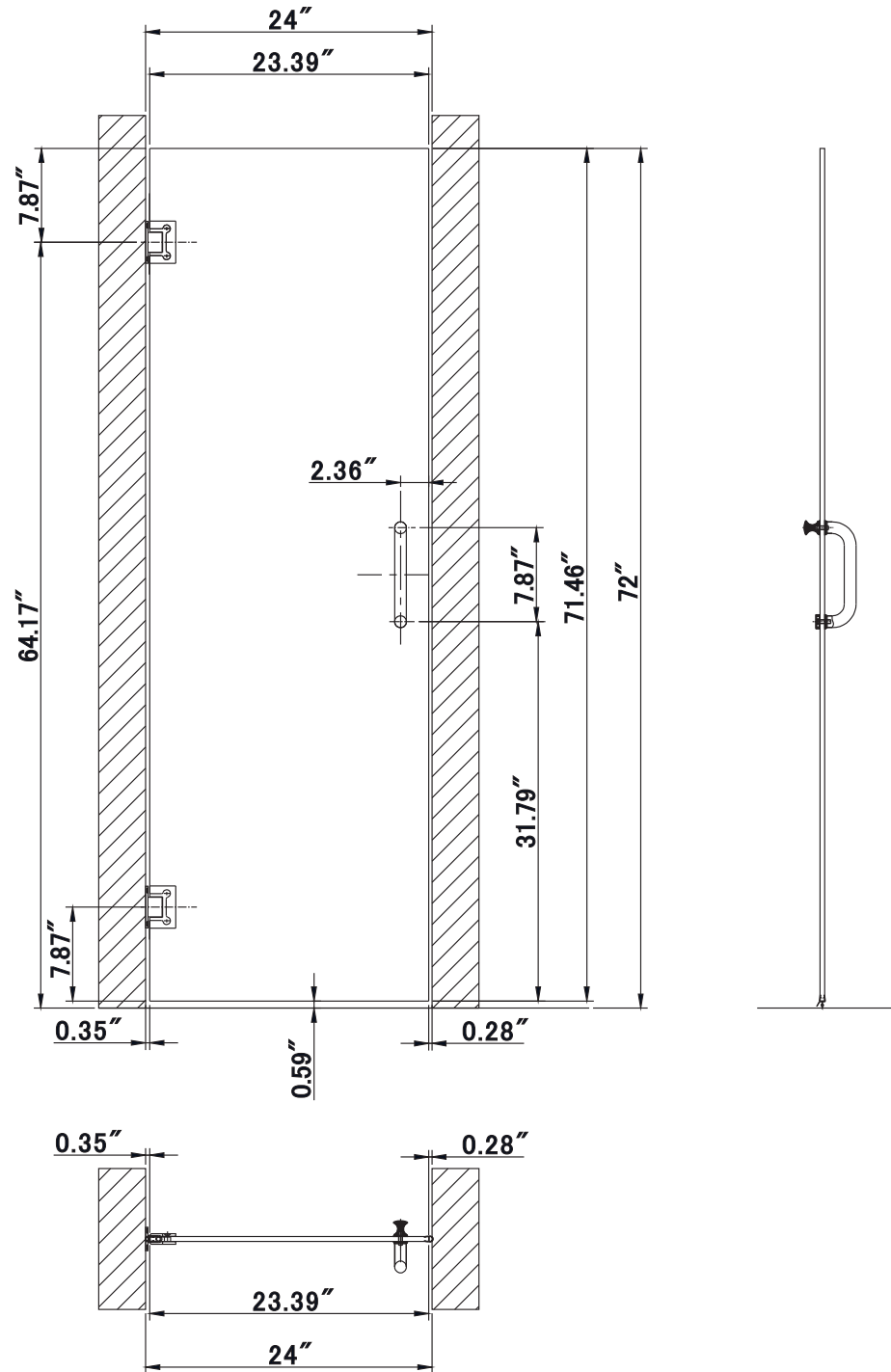
**SD-AZ07-01 (SD-AZ8073-01)**  
**Design B**

# TOOLS YOU'LL NEED

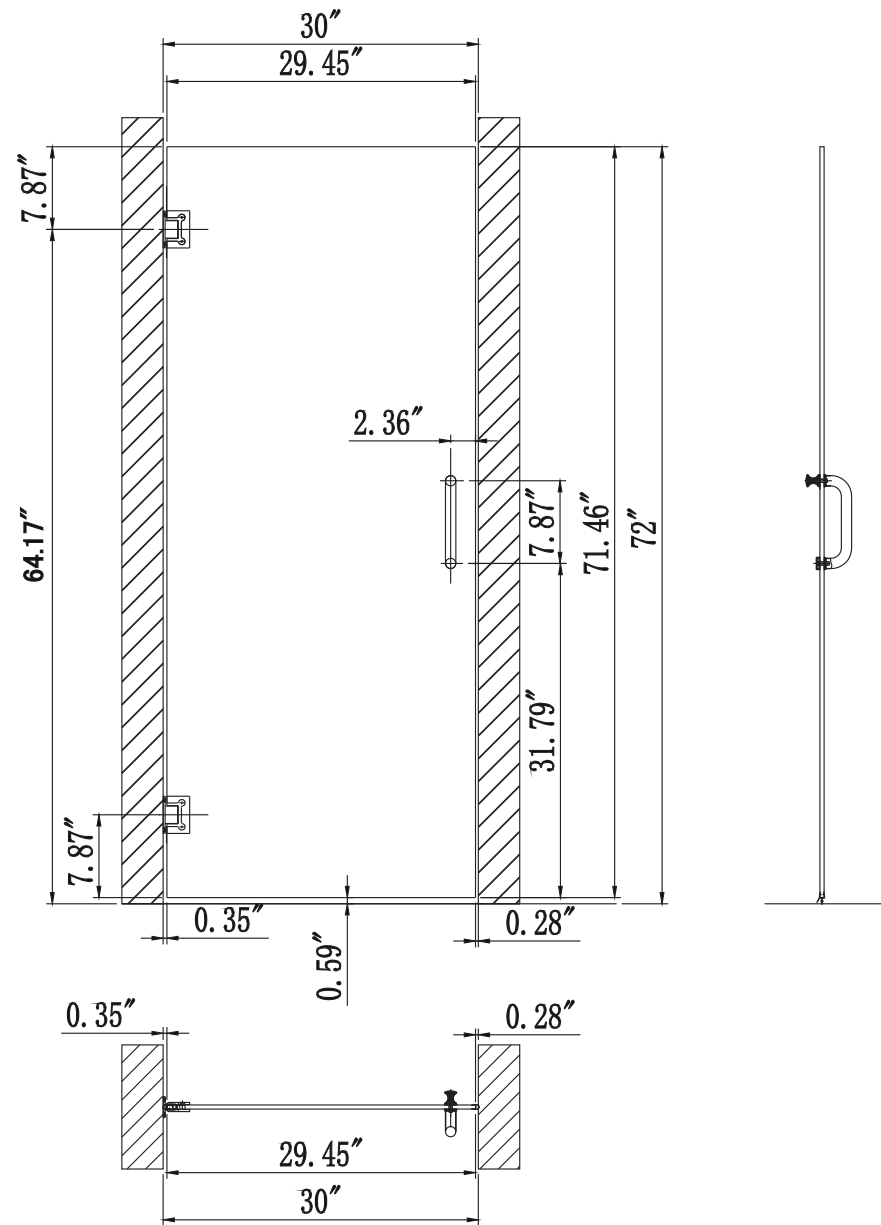
Caulk Tape Measure, Pencil, Phillips  
 Screwdriver Drill Bits D=5/16", Wood  
 Level, Caulking Gun, Electric Drill, Hammer  
 Mallet, Knife

**ATTENTION! Magnetic strip is only for installation of SD-AZ07-01**

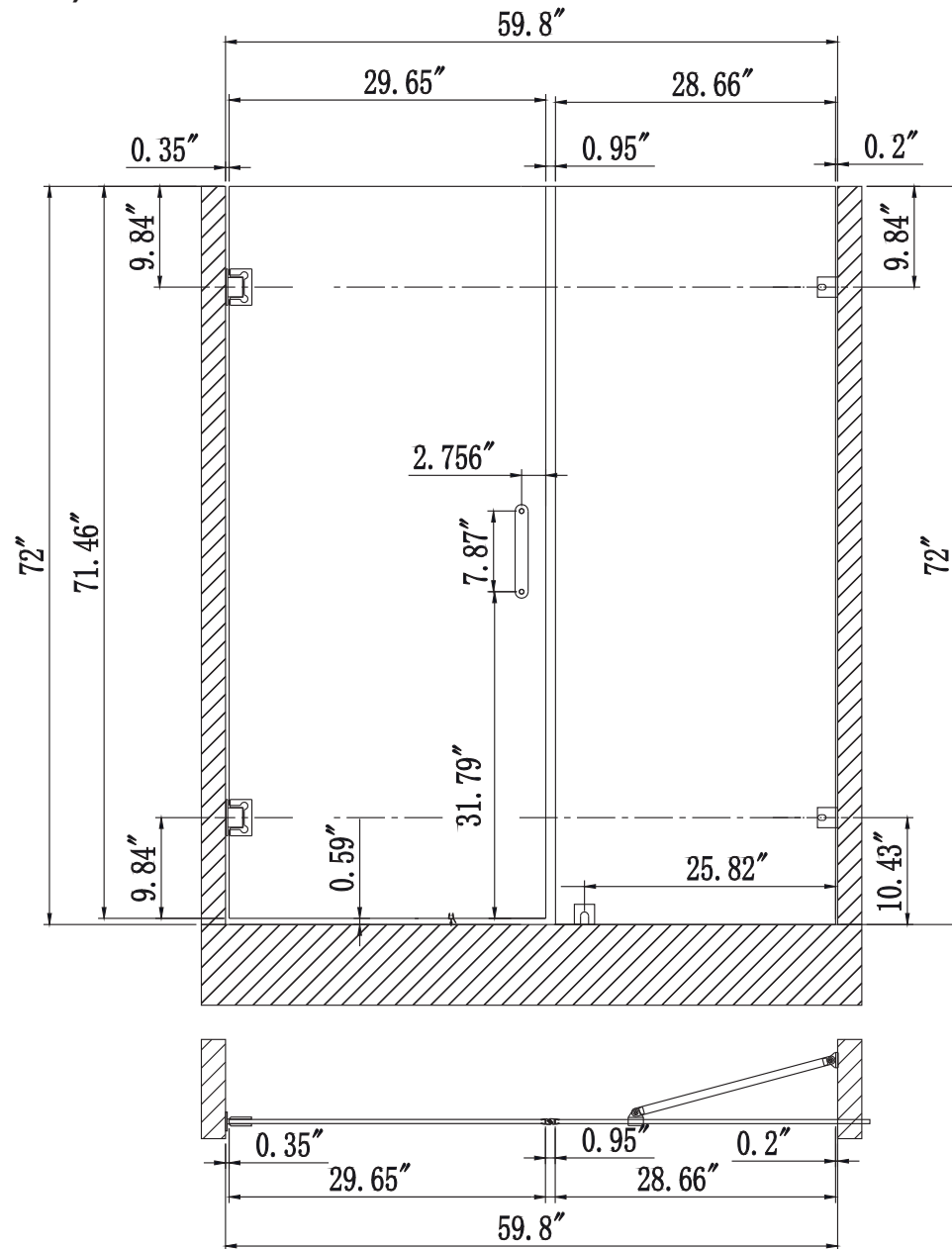
**SD-AZ09-01 (SD-AZ8075-01)**



# SD-AZ09-02 (SD-AZ8075-02)



SD-AZ07-01 (SD-AZ8073-01)



# TUB DOOR

DESIGN "A":

ATTENTION: This assembly portion only requires the parts from Diagram "A" for the assembly and installation of the Single Shower Door.

Single Shower Door 24"-30"

Diagram "A" is required for assembly

1. Secure the Hinges (04) to the Glass Panel (01). Refer to Figure 1 for details.

NOTICE: Do NOT place glass directly on a tile surface. To best protect the glass, ALWAYS lay the glass on a piece of cardboard or wood. Protect the edges and corners of the glass by keeping the corner pads on the glass until it becomes necessary to remove them for installation.

2. Position a flat piece of timber (5/8" thick) on the shower base or threshold. Carefully remove the corner pads from the Glass Panel (01) and place the Glass Panel gently on the timber piece. Place the hinged side of the door adjacent to the wall and carefully butt them together. Make necessary adjustments to the door position and make sure it is vertically level.

NOTICE: To ensure the door is perfectly plumb, use a leveler tool.

ATTENTION! If what you chose is the frosted glass, The Tsunami Guard coated side of the glass panel should face into the shower while the uncoated side faces out of the shower. The Fixed panel [1] has a sticker(s) indicating which side should face in and out.

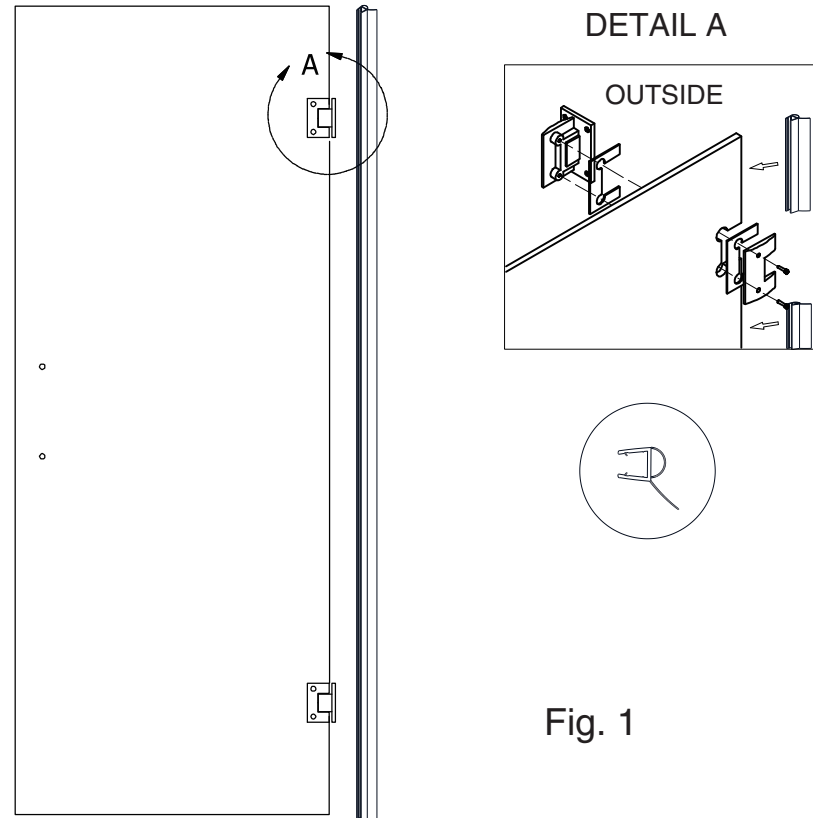


Fig. 1



# HINGES

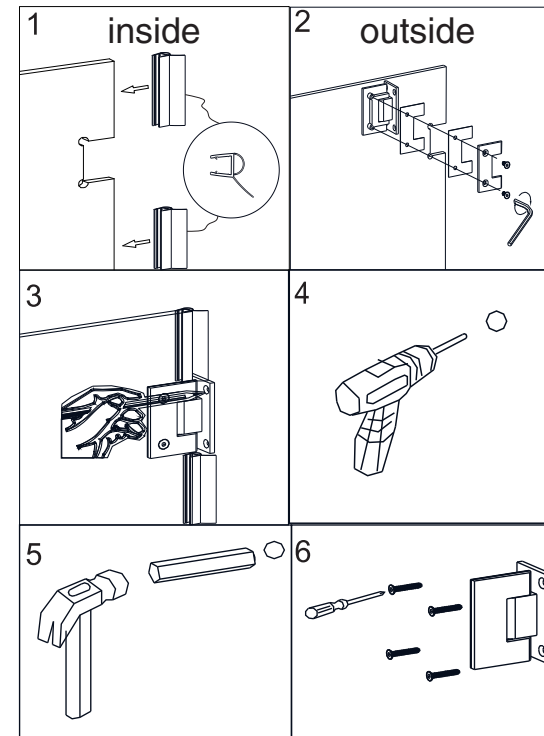
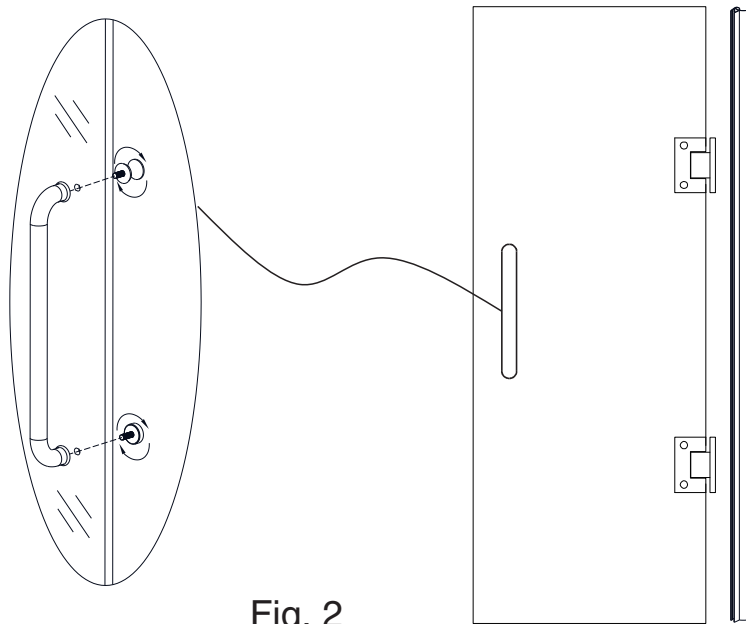
1. Securely hold the glass door in place and mark drill holes on the wall for both Hinges (04). With holes marked, set the door aside and use a  $\Phi$  1/4" drill bit to drill the holes in the wall. Gently set the Glass Panel (01) back on the flat timber and adhere the hinges to the wall using two Cross screw ST5x40 (03) on the hinge from the shower's exterior.

**NOTICE:** Due to the heavy weight and hinges on the door, it **MUST** be affixed to the studs in the wall or, if necessary, a 2x6 wood reinforcement preinstalled behind the wall.

**NOTICE:** The drilled holes in the wall are very close to the back plate of the hinge. If care is not taken when installing the long screws or screwdriver may scratch the back plate.

2. (OPTIONAL) Gently remove the back plates from the Hinges (04) and place the Glass Panel(01) in a safe and secure place. Screw in the remaining Cross screw ST5 x 40 (03) into the wall. Carefully replace the Glass Panel to its prior position and reassemble the Hinges.

3. Attach the Handle (02) to the Glass Panel (01). Refer to Figure 2 for details.



# GLASS PANEL(01)

1. Obtain the following measurements:

- Top edge of Glass Panel (01) to the upper portion of the top Hinge (04)
- Lower portion of the upper Hinge to the upper portion of the bottom Hinge
- Lower portion of the bottom Hinge to 1/16" above the shower base.

Use the above measurements to cut the Side Anti-water strip (05). To cover the space to the wall, create a notch in the cut strip to allow them to slide into the Hinge. Take off the timber plate. With Glass Panel opened fully, carefully press the cut strips onto the vertical edge of the Glass Panel.

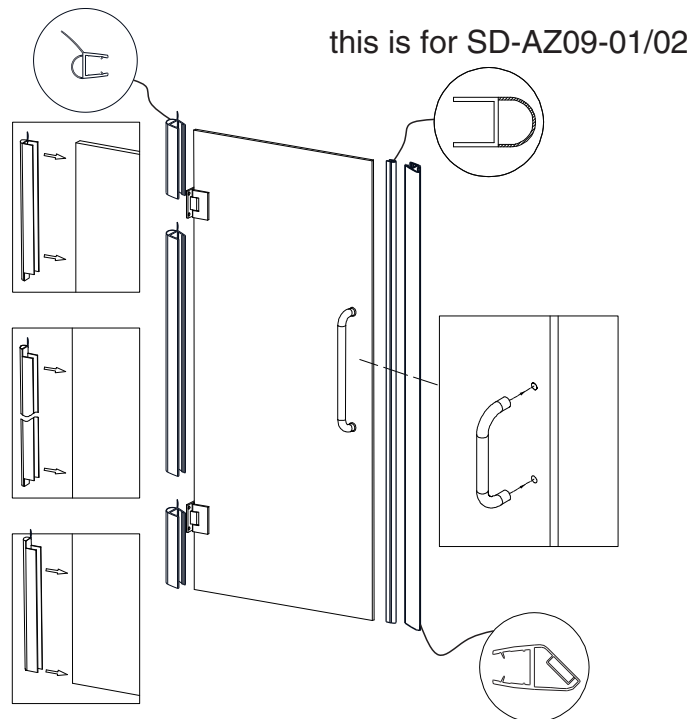


Fig. 3

this is for SD-AZ07-01

2. Precisely measure the lower portion of the Glass Panel (01) from the Side Anti-water Strip (05) to the vertical edge on the side with the Handle(02).

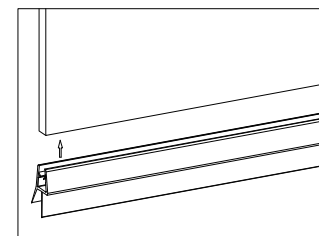
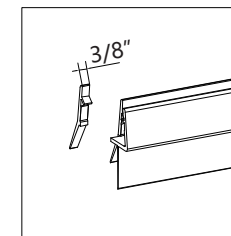
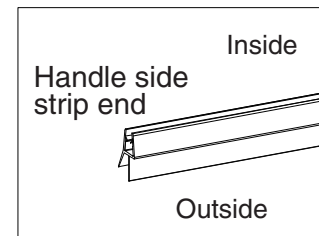
Using this measurement, cut the Bottom Water proof Strip (06) to size and create a 3/8" notch in the interior side of the Bottom Water proof Strip.

ATTENTION: When the door is shut, the Handle side of the Glass Door should be tight to the Water proof Strip (06) along the vertical edge. Refer to Figure 3 for details.

ATTENTION: Before moving to the next step, ensure the portion of the wall involved in installation of the Bumper Strip (07) is clean, void of any construction debris, oil, or soap, and the area is fully dry.

3. Close door and press the Bumper Strip (07) along the edge of the door.

4. This is the final step for Design "A" products.



# GLASS PANEL(08)

1.Gently butt the vertical edge of the Glass Panel (8) against the wall.

2.Securely hold the Glass Panel (8) in place and close the Glass Pane (01) while aligning it with the Stationary Glass. It may be necessary to adjust the position of the Magnetic strip (21) to ensure a tight fit with the top and bottom of the Glass Door. From the interior of the shower, precisely outline the placement of the Wall Brackets (13) and the position of the bottom clip(16).

ATTENTION: Make sure the top of the Stationary Glass and top of the Glass Door are level.

3.Extend the Glass Panel (01) open and gently place the Glass Panel (8) nearby. Take the Wall Brackets (13) off the Stationary Glass and bottom clip(16).

Place the wall bracket and the bottom clip in the marked position to drill holes. Using a  $\Phi$  5/16" drill bit, drill a hole and insert the Wall Anchor(10). Use hexagon screw ST4.2x35 to fix the glass supporter, cross screw ST4.2x20 to fix the ground clamp

4.Replace the Glass Panel (8) into its proper spot and position it tightly up to the Wall Bracket (13) and bottom clip(16).Refer to Figure4 for details.

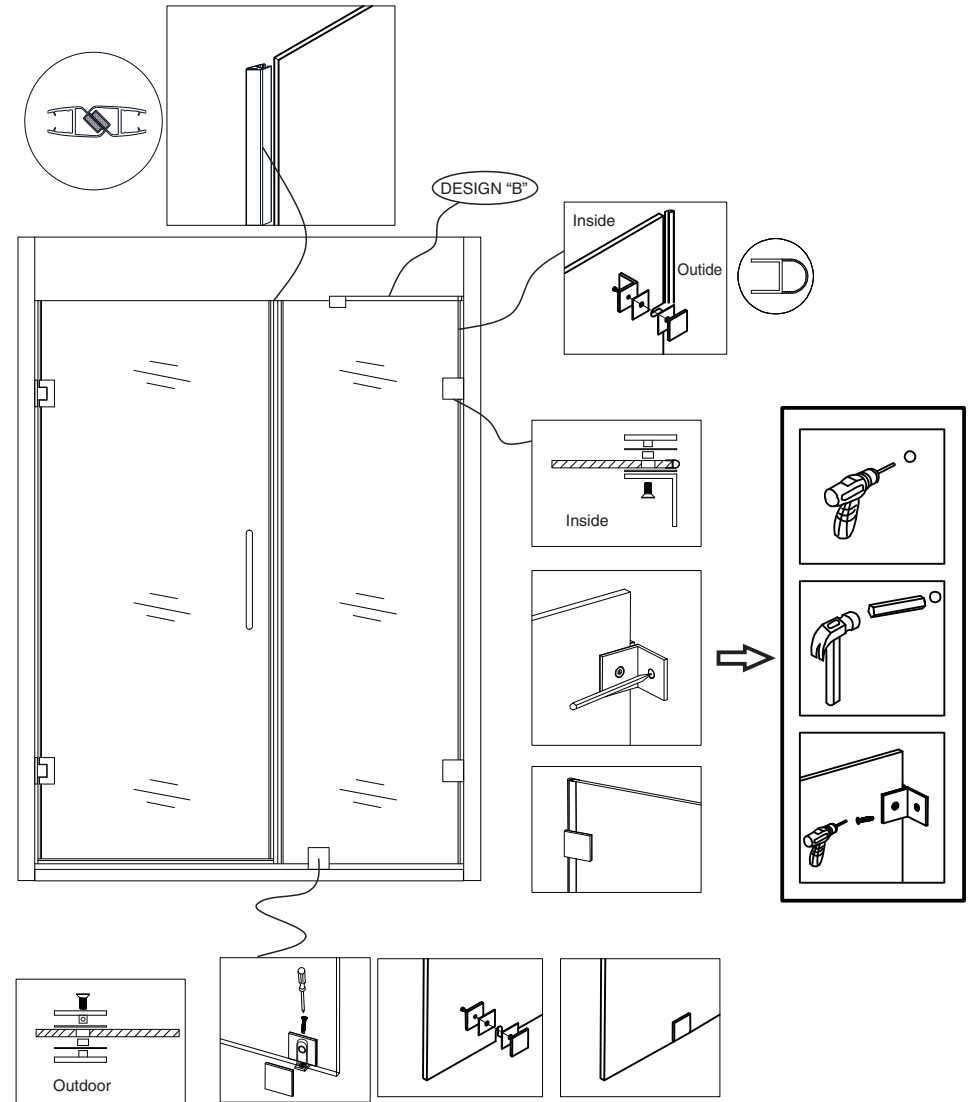


Fig. 4

# SUPPORT BAR

ATTENTION: This assembly portion only requires the parts from Diagram "B" for the assembly and installation of the Support Bar.

NOTICE: The Support Bar\* MUST be installed to allow for greater stability.

1. Find the Support Bar\* (9) and adjust it to an appropriate position on the glass and wall then level it horizontally. While holding it firmly in place, make a precise outline of the position of the brackets on the wall. Carefully remove the Support Bar\* and disassemble the wall bracket. Hold the bracket up to the position you outlined on the wall and mark the drilling hole.

Using a  $\Phi$  5/16" drill bit, drill the hole and insert the Wall Anchor(13). Use cross head screw ST5x40(11) to attach the wall bracket to the wall. View Figure 20.393" then secure the glass by fastening the Support Bar to the wall and tighten the set screws and the glass-holding screw.

2. Carefully add the sealant along the area where the Stationary Glass meets the wall and along the Shower Base or Threshold. Clean the silicone using the tool Silicone Cleaner (14).

**WARNING: WAIT 24 HOURS BEFORE USING THE SHOWER ENCLOSURE TO ALLOW THE SILICONE GEL TO DRY COMPLETELY.**

Refer to Figure 5 for details.

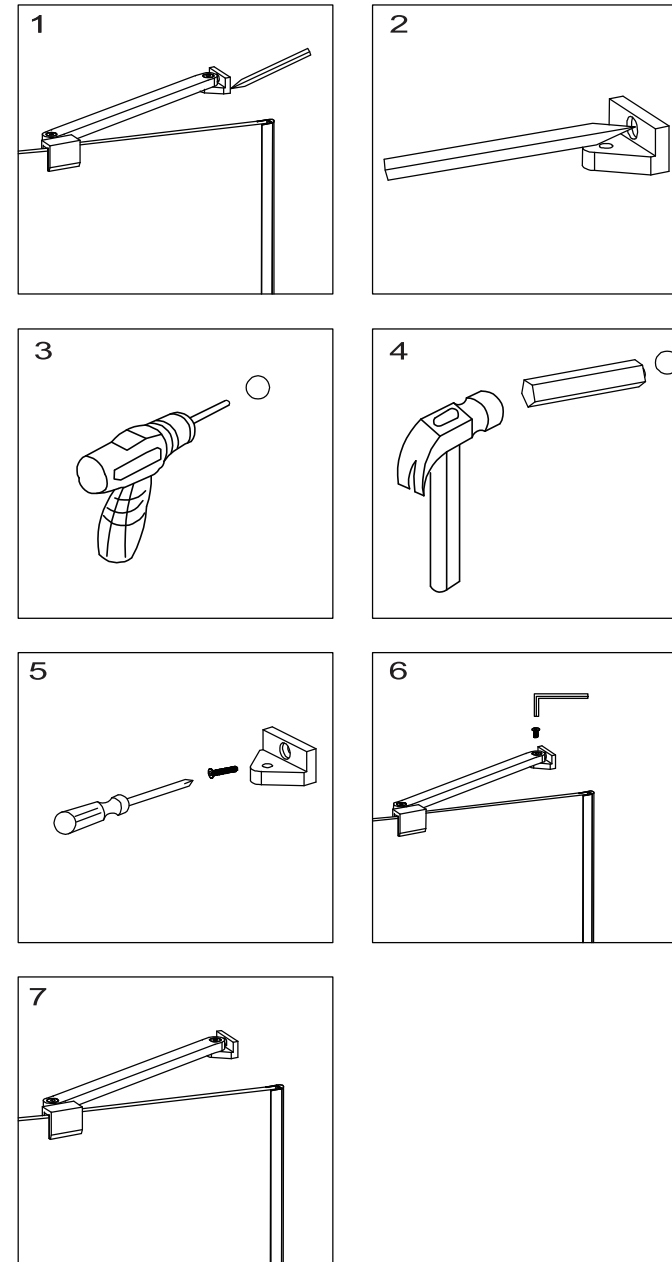


Fig. 5

# MAINTENANCE

Guarantee a longer life of the hardware finish by wiping off the metal parts with a soft cloth after each use. Avoid using abrasive cleaners and products especially those that contain bleach, acid, or ammonia. In the case that these chemicals are used, thoroughly rinse the surface as soon as possible and wipe dry with a soft cloth. Stainless-steel surfaces should be cleaned once a week or as needed. When applying a stainless-steel polish or cleaner, work with the grain and not against it. Avoid the use of abrasive tools such as wired brushes, abrasive cloths or sponges, or steel wool.

Tempered Glass: Nonabrasive bathroom cleaners and your usual glass cleaner may be used to clean tempered glass. Be sure to thoroughly rinse off any cleaner. Do NOT strike the glass with any hard or sharp object as it could cause immediate damage or cause the glass to eventually break.

Wheel Maintenance: To keep the roller movement smooth, apply a small amount of lubricating oil. Periodically adjust the wheel screw to ensure the moving door slides smoothly and the bearing functions effectively.

The sealant should be applied to the interior edge.



Allow 24 hours for silicone to dry before use.