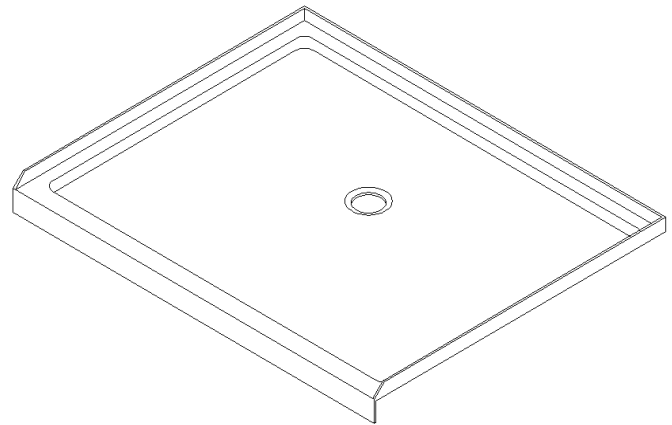
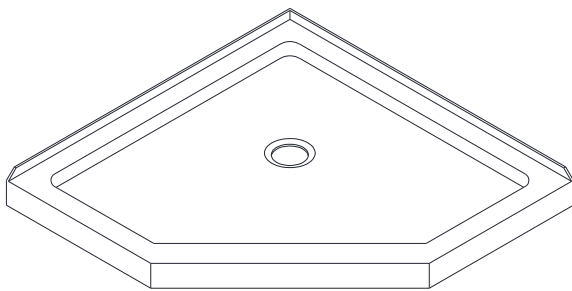


ANZZI®

ANZZI SHOWER BASE
INSTALL & OPERATION MANUAL
V1.0



DON'T WAIT! REGISTER NOW!

Register your product within 90 days to ensure your product is recognized as an official purchase and is eligible for warranty coverage.

Mail in the completed registry card (Pg. 2) or register online at www.swcorp.com/register.



PRODUCT REGISTRATION*

IMPORTANT: YOUR WARRANTY WILL NOT BE RECOGNIZED UNLESS THIS CARD IS FULLY COMPLETED AND RETURNED OR ONLINE REGISTRATION IS COMPLETED.

To ensure that your warranty is registered and confirmed please do one of the following:

1. Register online at www.swcorp.com/register. You will be asked to fill out the same information you would in the registration card. Registering online is fast, secure and ensures we receive your information.

2. Complete, cut-out and mail the registration card below. By returning this registration card we confirm the date of purchase for your new product. This confirmation will allow us to process any warranty claims.

Mail the card to: 5701 NW 35 Avenue, Miami, FL 33142



Product Registration Card

Name Address

City State Zip

Phone Email.....

Date of Purchase.....

Installer's Name Phone

I have read the Owner's Manual carefully and understand and agree that any installation, operation or maintenance of the product must be done strictly in accordance with instructions and guidelines contained in the owner's manual and installation guide.

Signature _____ Date _____

Need assistance? Call our technical support line at 305-614-4070 or visit us at www.ANZZI.com

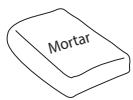
INSTALLATION GUIDE

BEFORE YOU BEGIN

- Prior to installation, examine all boxes and packages for shipping damage. If the unit has been damaged, has a finishing defect, or has missing parts, please contact our customer support department within 5 business days of the delivery date. Please note that we will not replace any damaged products or missing parts free of charge after 10 business days or if the product has been installed.
- These instructions include suggestions for rough construction and plumbing installation. Local building codes vary and could supersede those suggestions. If you are not confident in your ability to perform these tasks, contract out those tasks you need help with or use a professional installer.
- Failure to read these instructions prior to installation may result in personal injury, property damage, or product failure. Manufacturer assumes no responsibility for product failure due to improper installation.
- Confirm that your model will fit in intended location and plumbing fixtures are located where required before beginning installation. Do not install in areas where temperature may drop below 32°F (0°C).
- Walls and sub-floor must be solid, plumb, and square.
- Use drop cloth to protect shower base from damage during installation.
- Allow product to reach room temperature for 30 minutes before installation.
- Drain cutout 5" diameter max.
- IF INSTALLING MATCHING ENCLOSURE, refer to Enclosure Installation Manual for specific lumber sizes and placement. Additional studs will be required and need to be installed at this point.
- Check the corresponding specification drawings for the detail dimensions.
- Do not use plumber's putty. May result in product failure. Use latex/acrylic sealant or a gasket.

IMPORTANT: Dimensions provided are for reference only. You must measure the actual shower tray sizes before installation, this includes overall dimensions and drain location.

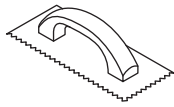
TOOLS AND MATERIALS REQUIRED



Mortar



Gloves



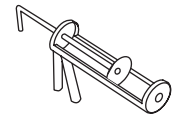
1/4" Square Notched Trowel



Drill



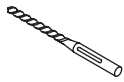
Safety Glasses



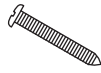
Caulk Gun



Extension Bit Holder



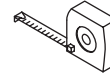
Drill Bit 3/16" (5 mm)



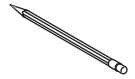
Screws #8 x 1 1/2" (zinc or stainless; panhead or roundhead)



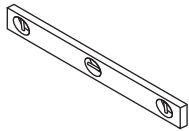
Driver Bit (for use with extension bit holder)



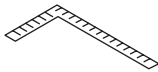
Tape Measure



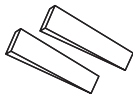
Pencil



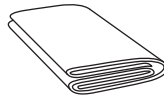
Level



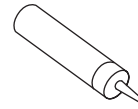
Square



Shims



Drop Cloth

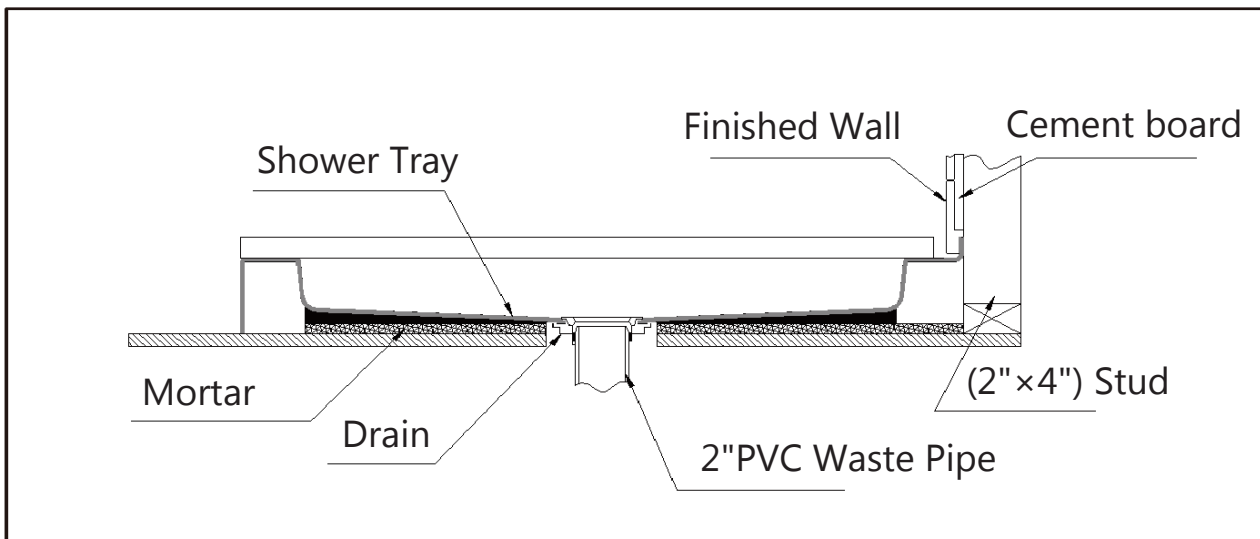


Sealant (2 tubes)



Hole Saw (sized to accommodate plumbing fixtures)

SHOWER TRAY CROSS SECTION DRAWING



INSTALLATION INSTRUCTIONS



ATTENTION

- The following steps are for the corner shower tray.

STEP 1

- Ensure that the floor and the studs are at right angles. Provide a 5"×5" opening in the subfloor for the drain. The 2" PVC waste pipe should extend above the surface of the sub-floor according to the drain installation instructions and the height of the Shower Tray.
- Mark unit position on floor and through drain opening.
- Mark the locations of the studs on the flange of the base.
- These marks are used to verify base location after drain is installed. (Fig 1)
- The pipe height (A) shall be determined according to the products on hand.

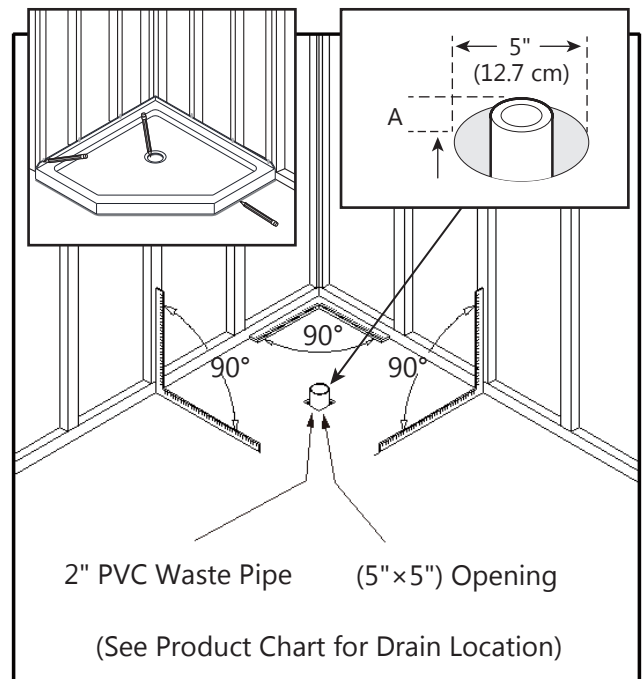
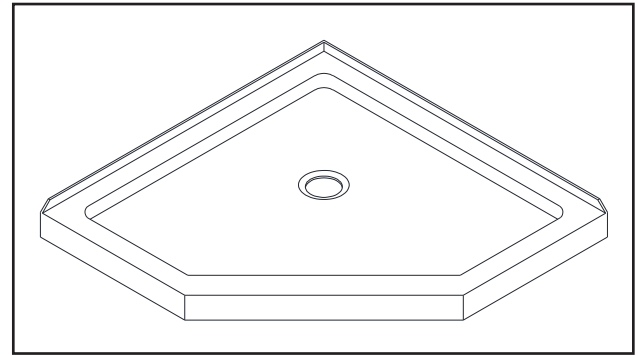


Fig. 1

STEP 2

- Place the tray into the designated position so that the Drain Body drops around the Drain Pipe and put the Shower Tray up against the studs.
- Level the tray and place marks on the studs above the upper edge of the tile flange.
- If the subfloor is not flat and level, use leveling compound or mortar bed to ensure that the base is level (shown in Step 5).(Fig 2)

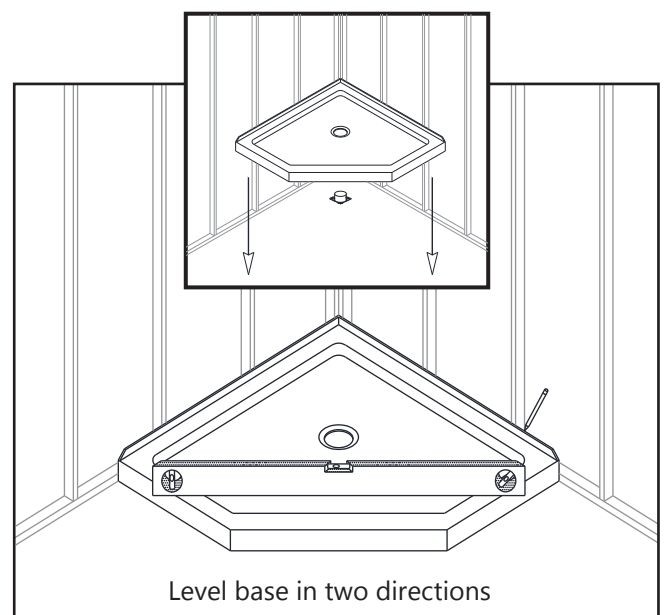


Fig.2

STEP 3

- Drill 3/16" holes at all stud locations on top flanges. (Fig 3)

IMPORTANT: Drill 3/16" clearance holes into flanges only. Do not drill 3/16" holes directly into studs. Drill chuck can damage base. Use an extended bit holder to reduce risk of drill chuck hitting base.

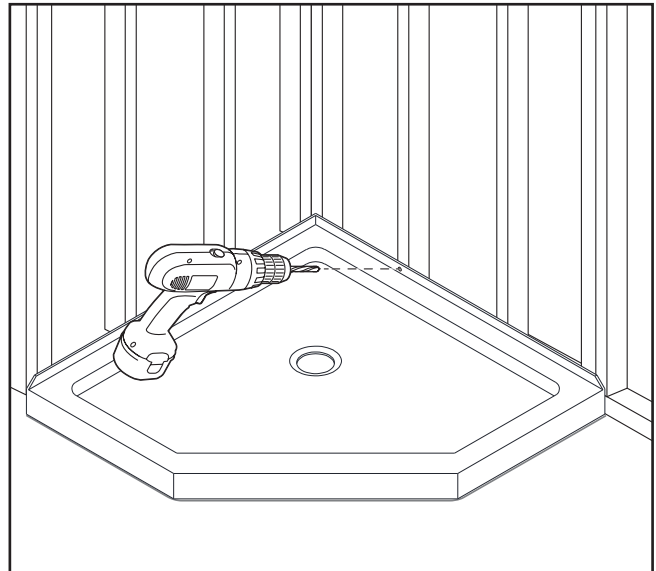


Fig. 3

STEP 4

- Install the shower drain (NOT INCLUDED) according to the drain installation manual (supplied with the drain). (Fig 4)



ATTENTION

- Plumber's putty will degrade base material, causing cracks and potential property damage. DO NOT use plumber's putty to seal between drain and base. Use sealant or gasket.

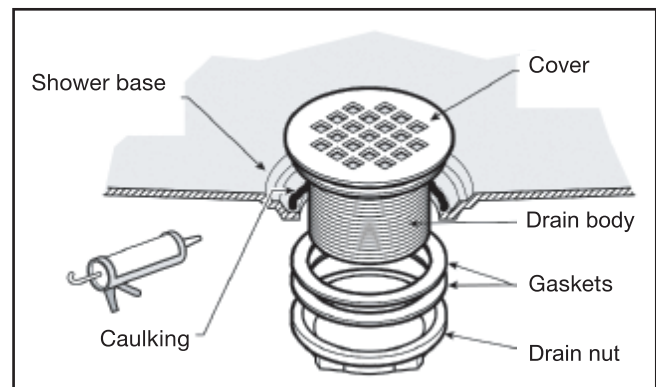


Fig. 4

STEP 5

- Apply a generous amount of mortar that has been mixed to a thick consistency. Place the base in the wet mortar, adjust until it is level, and let mortar cure for 24 hours. Proceed to the next step. (Fig 5)

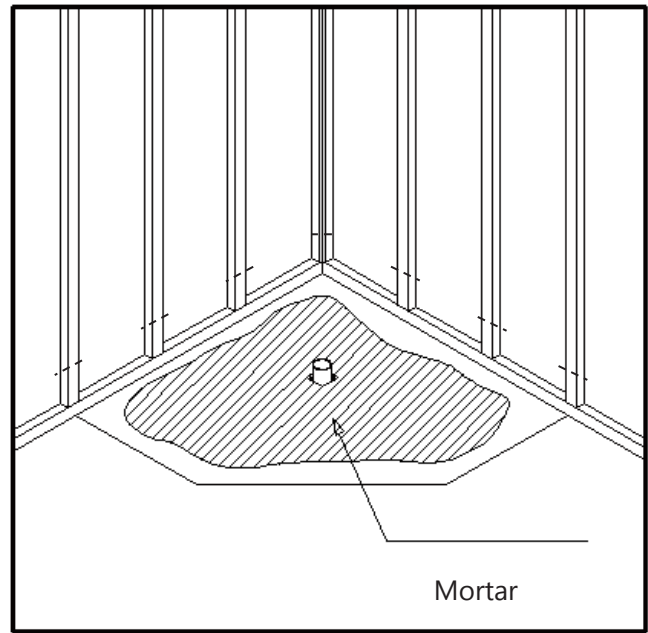


Fig. 5

STEP 6

- It is recommended not to stand in base while securing to wall. Set base in corner and press it into mortar. Secure flanges to all studs with #8(1-1/2") screws through previously drilled holes. (Fig 6)

IMPORTANT: Gaps between flanges and studs must be less than 1/8". Insert shims to fill gaps if needed.

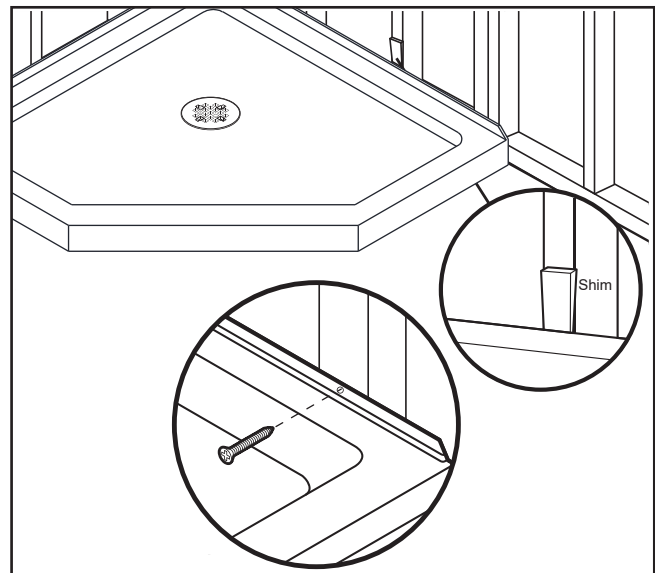


Fig. 6

STEP 7

- Allow the mortar to completely harden before applying weight to the bottom of the shower tray.
- Install the Drywall above the tile flanges and secure it to the studs.
- Put the tiles (or other finishing wall material) over the drywall leaving 1/8" gap between the bottom of the tile and the splash rim of the shower tray. Use caulk to fill that gap. (Fig.7)

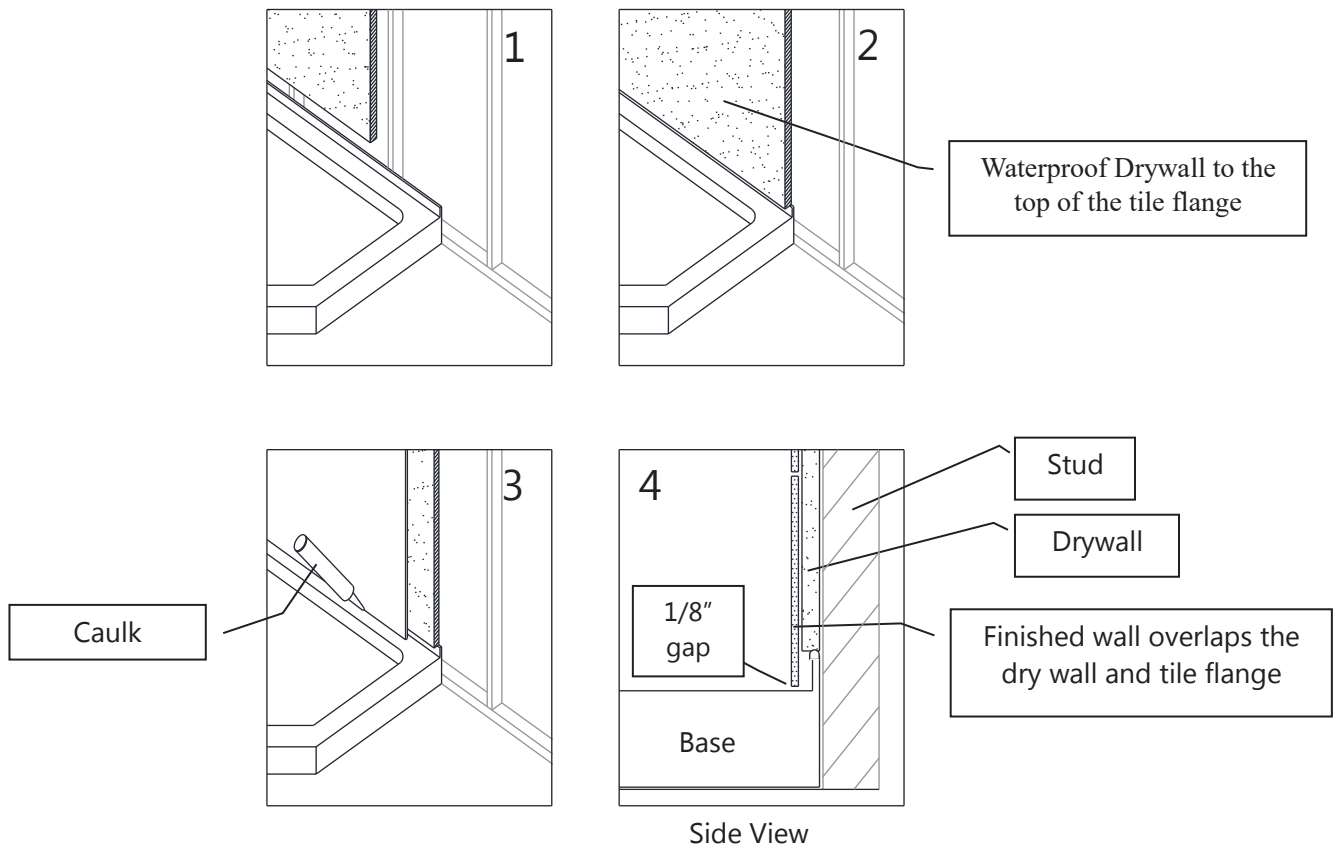


Fig. 7

STEP 8

- Apply a bead of sealant between the apron and finished floor and wait for 24 hours before using the shower. (Fig.8)

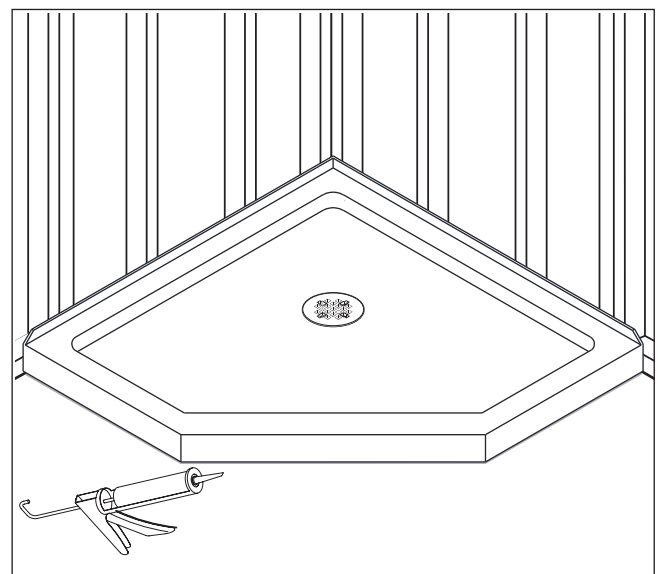
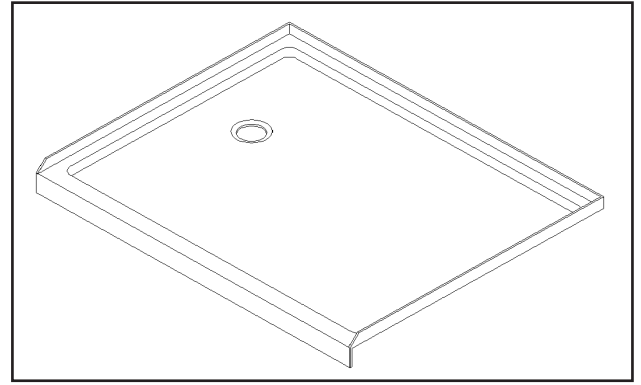


Fig. 8



ATTENTION

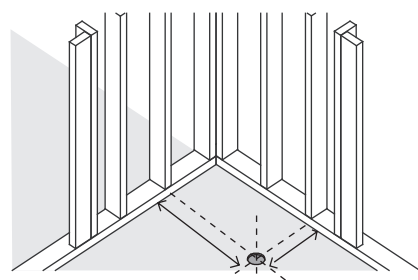
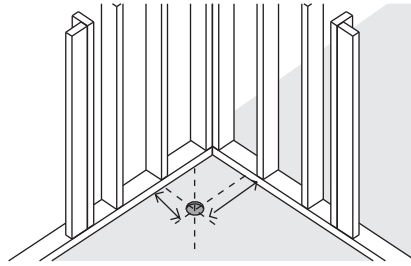
- The following steps are for the rectangle shower tray.



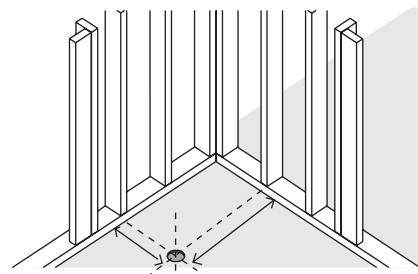
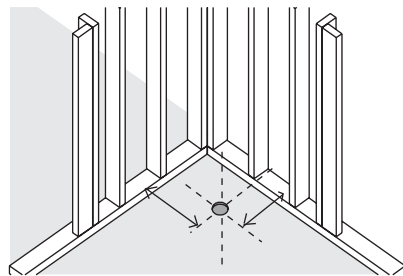
STEP 1

- Ensure that the floor and the studs are at right angles. Provide a 5" x 5" opening in the subfloor for the drain. The 2" PVC waste pipe should extend above the surface of the sub-floor according to the drain installation instructions and the height of the Shower Tray.
- Mark unit position on floor and through drain opening.
- Mark the locations of the studs on the flange of the base.
- These marks are used to verify base location after drain is installed. (Fig 1)
- The pipe height (A) shall be determined according to the products on hand.

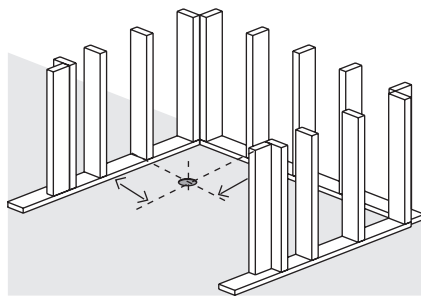
Left Hand



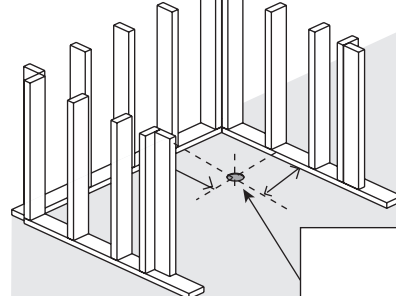
Right Hand



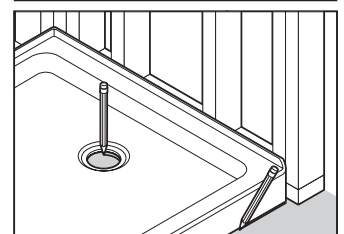
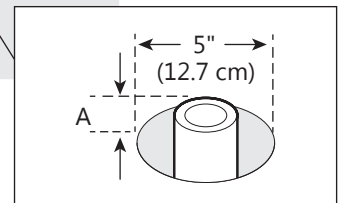
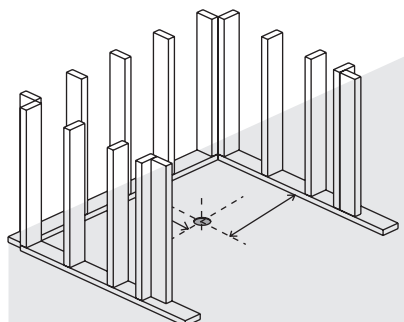
Alcove Left Hand



Alcove Right Hand



Alcove Center



STEP 2

- Place the tray into the designated position so that the Drain Body drops around the Drain Pipe and put the Shower Base up against the studs.
- Level the tray and place marks on the studs above the upper edge of the tile flange.
- If the subfloor is not flat and level, use leveling compound or mortar bed to ensure that the base is level (shown in Step 5). (Fig 2)

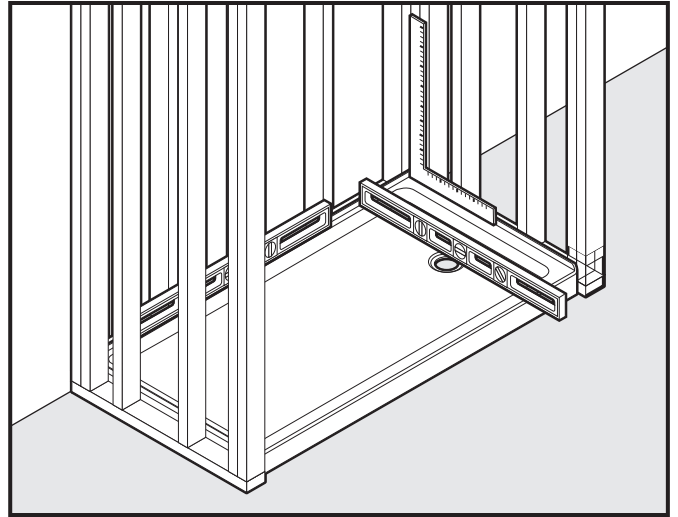


Fig. 2

STEP 3

- Drill 3/16" holes at all stud locations on top flanges.(Fig 3)

IMPORTANT: Drill 3/16" clearance holes into flanges only. Do not drill 3/16" holes directly into studs. Drill chuck can damage base. Use an extended bit holder to reduce risk of drill chuck hitting base.

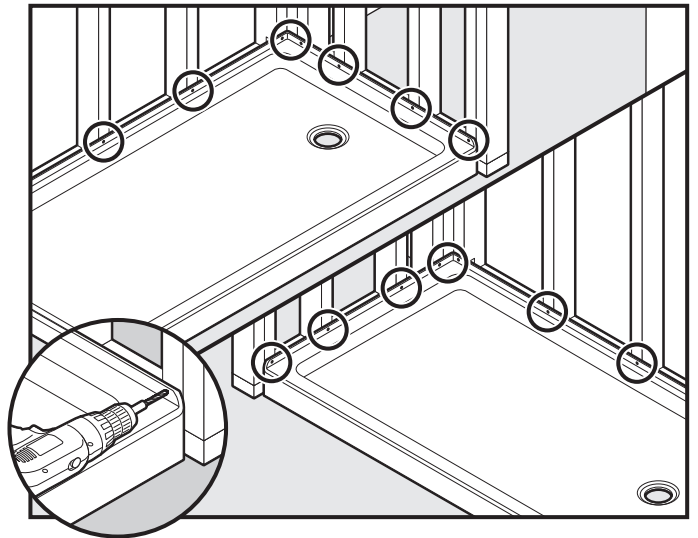


Fig. 3

STEP 4

- Install the shower drain (NOT INCLUDED) according to the drain installation manual (supplied with the drain). (Fig 4)



ATTENTION

- Plumber's putty will degrade base material, causing cracks and potential property damage. DO NOT use plumber's putty to seal between drain and base. Use sealant or gasket.

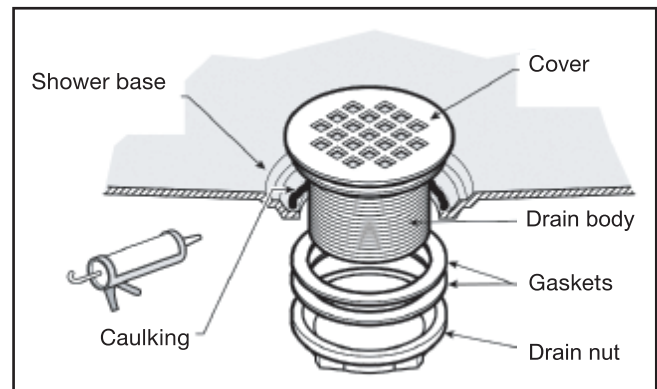


Fig. 4

STEP 5

- Apply a generous amount of mortar that has been mixed to a thick consistency. Place the base in the wet mortar, adjust until it is level, and let mortar cure for 24 hours. Proceed to the next step. (Fig 5)

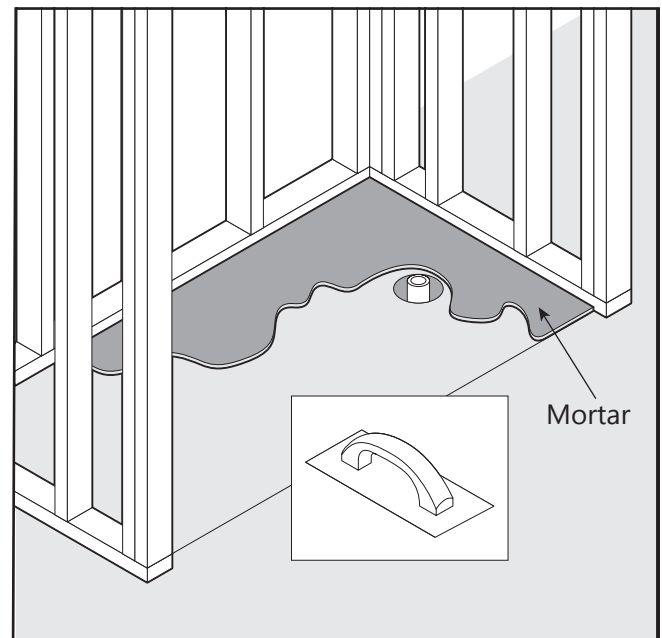


Fig. 5

STEP 6

- It is recommended not to stand in base while securing to wall. Set base in corner and press it into mortar. Secure flanges to all studs with #8(1-1/2") screws through previously drilled holes. (Fig 6)

IMPORTANT: Gaps between flanges and studs must be less than 1/8". Insert shims to fill gaps if needed.

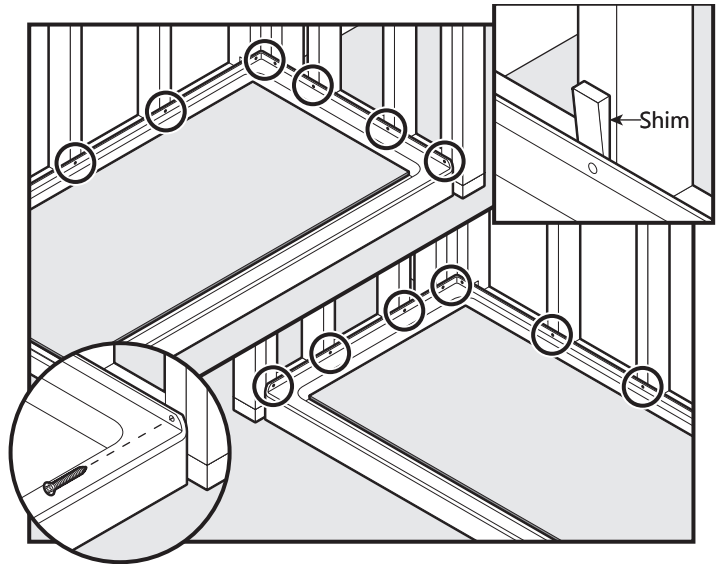


Fig. 6

STEP 7

- Allow the mortar to completely harden before applying weight to the bottom of the shower tray.
- Install the Drywall above the tile flanges and secure it to the studs.
- Put the tiles (or other finishing wall material) over the drywall leaving 1/8" gap between the bottom of the tile and the splash rim of the shower tray. Use caulk to fill that gap. (Fig 7)

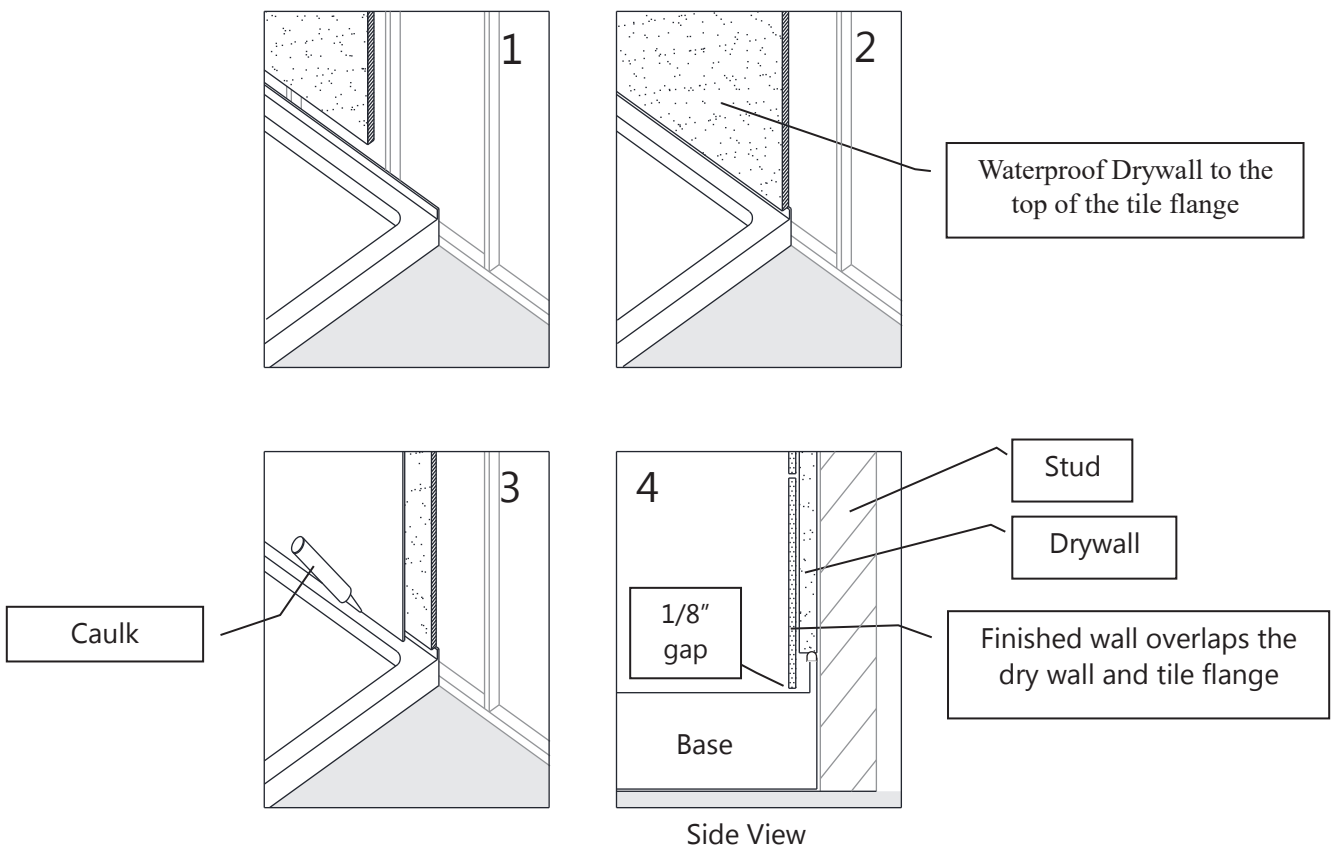
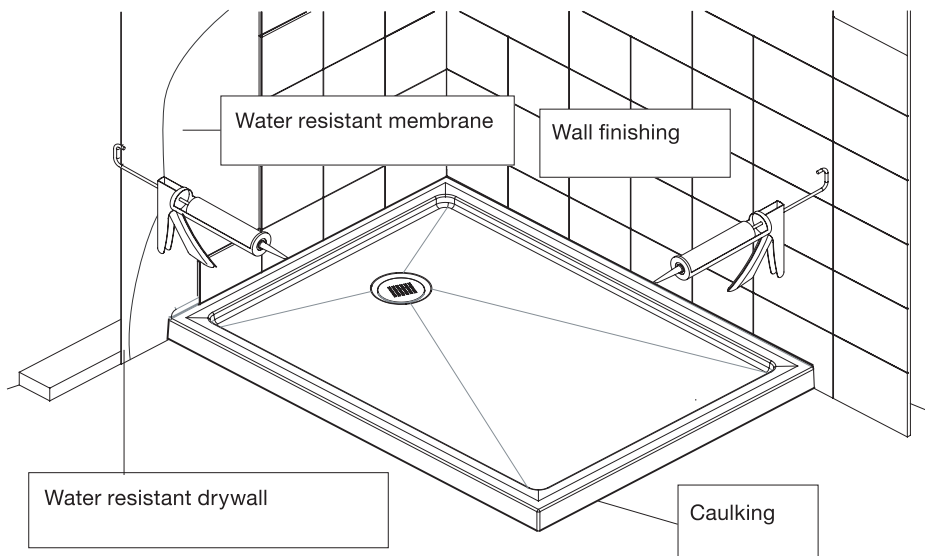


Fig. 7

STEP 8

- Apply a bead of sealant between the apron and finished floor and wait for 24 hours before using the shower. (Fig 8)



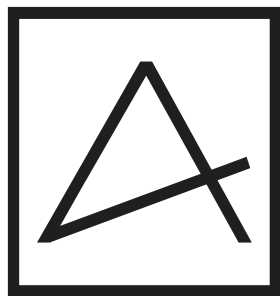
24 Hours 

Wait 24 hours before using the shower

Fig. 8

Care & Maintenance

To ensure long lasting life for your acrylic shower tray, wipe them off after each use with a soft cloth. To clean the acrylic shower tray use non-abrasive sprays or cream based cleaners. Never use abrasive cleansers, metal brushes or scrapers that could scratch or dull the surface.



ANZZI®