

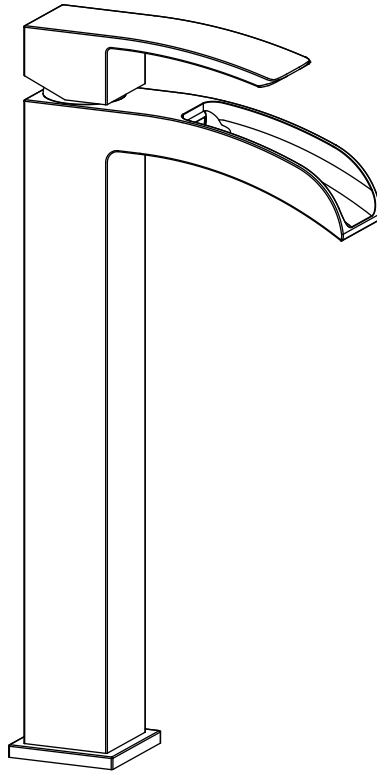


ANZZI®

ITEM: L-AZ097\*\*

ANZZI SINGLE-HANDLE LAVATORY FAUCET  
INSTALL & OPERATION MANUAL

V1.0



# DON'T WAIT! REGISTER NOW!

Register your product within 90 days to ensure your product is recognized as an official purchase and is eligible for warranty coverage.

Mail in the completed registry card (Pg. 2) or register online at [www.swcorp.com/register](http://www.swcorp.com/register).



## PRODUCT REGISTRATION\*

**IMPORTANT: YOUR WARRANTY WILL NOT BE RECOGNIZED UNLESS THIS CARD IS FULLY COMPLETED AND RETURNED OR ONLINE REGISTRATION IS COMPLETED.**

To ensure that your warranty is registered and confirmed please do one of the following:

1. Register online at [www.swcorp.com/register](http://www.swcorp.com/register). You will be asked to fill out the same information you would in the registration card. Registering online is fast, secure and ensures we receive your information.
2. Complete, cut-out and mail the registration card below. By returning this registration card we confirm the date of purchase for your new product. This confirmation will allow us to process any warranty claims.

**Mail the card to: 5701 NW 35 Avenue, Miami, FL 33142**



### Product Registration Card

Name..... Address .....

City..... State..... Zip.....

Phone ..... Email.....

Date of Purchase .....

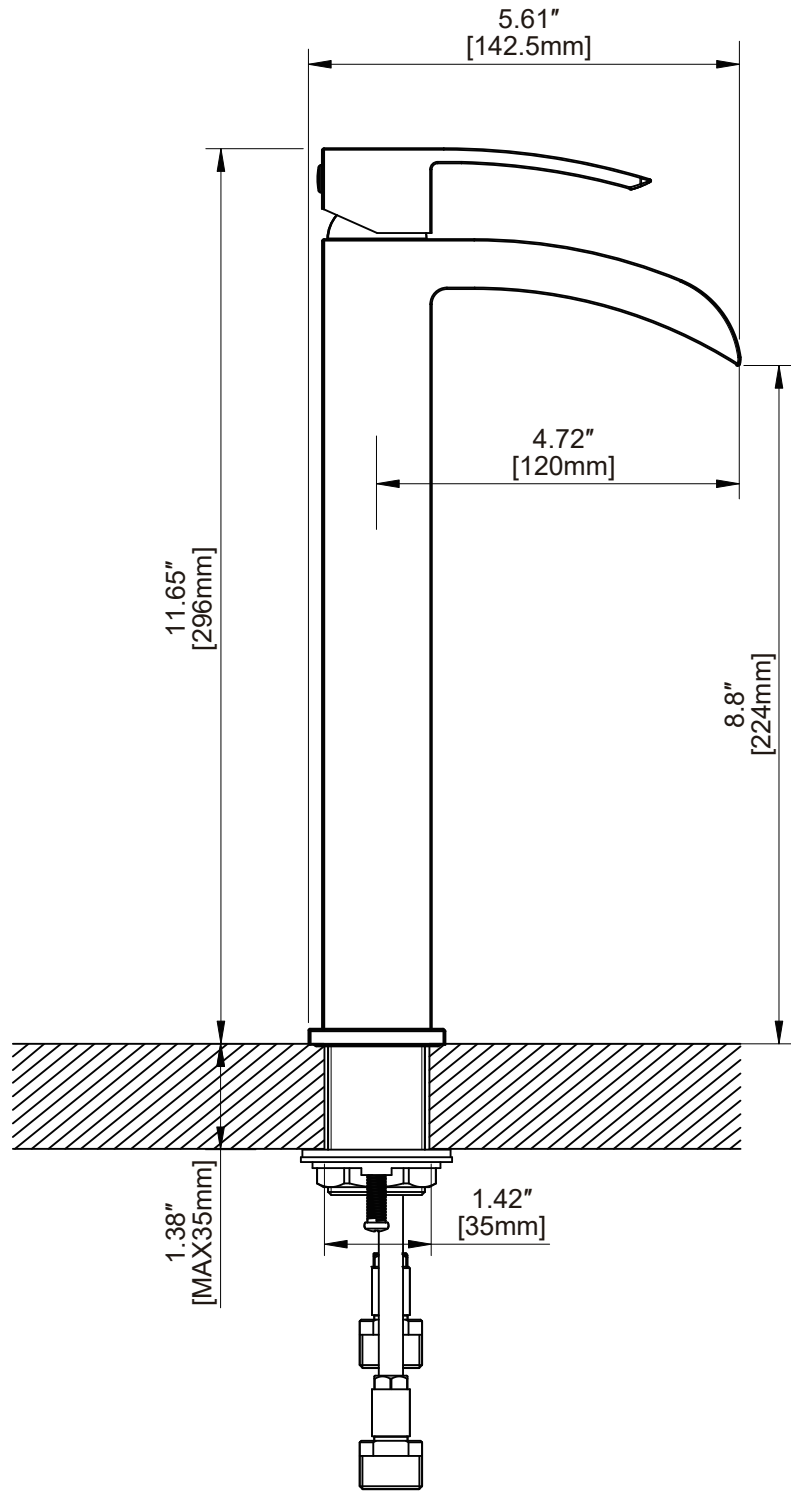
Installer's Name ..... Phone .....

I have read the Owner's Manual carefully and understand and agree that any installation, operation or maintenance of the product must be done strictly in accordance with instructions and guidelines contained in the owner's manual and installation guide.

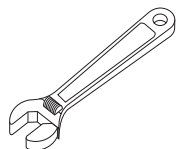
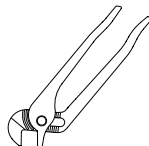
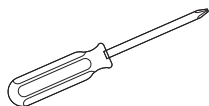
Signature..... Date.....

**Have questions? Call us at 305-614-4070 or visit us at [www.ANZZI.com](http://www.ANZZI.com)**

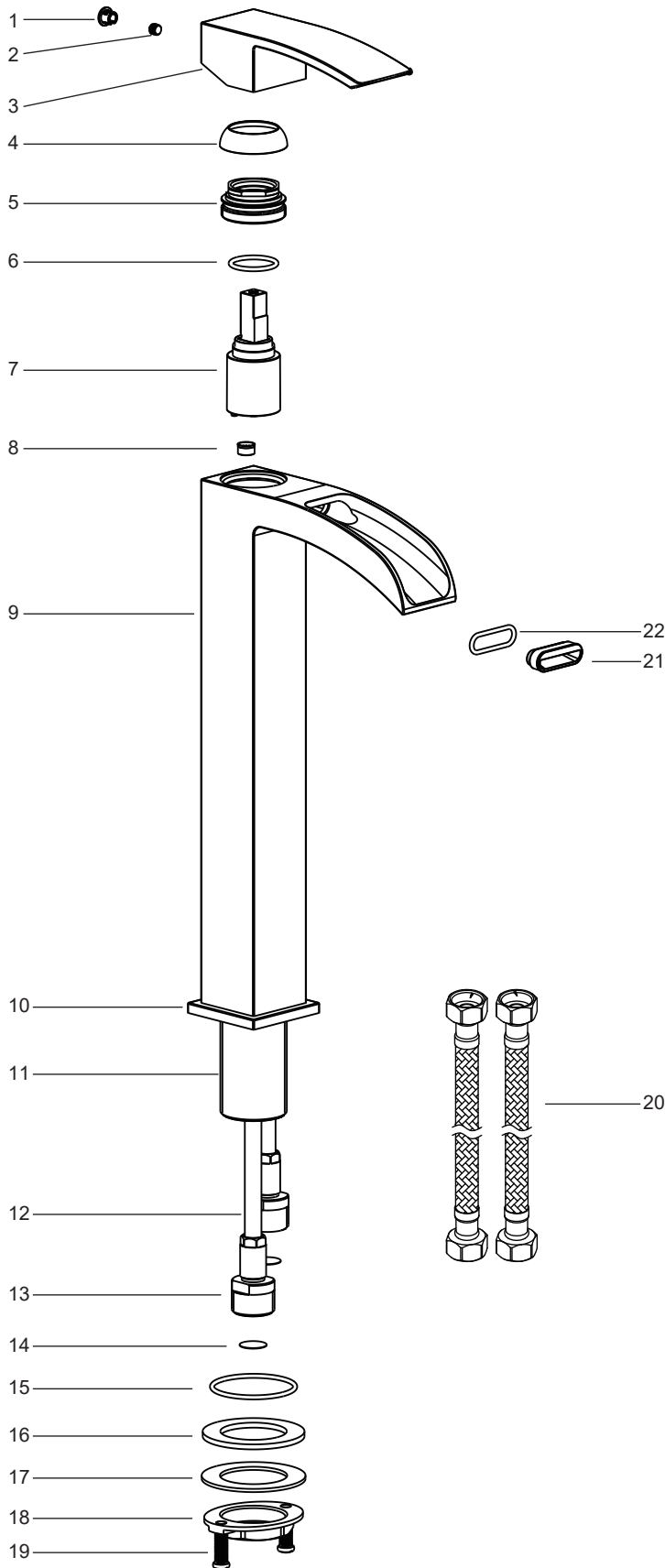
# Dimensions



You may need:

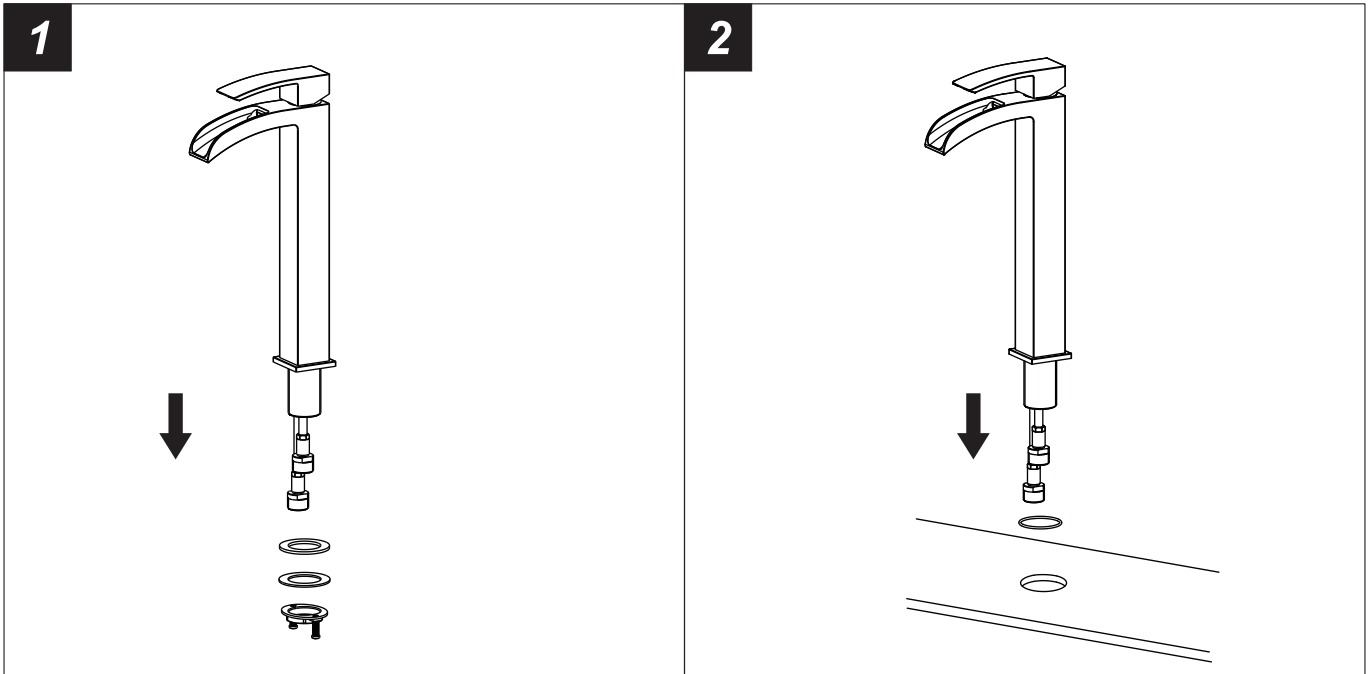


# Parts list

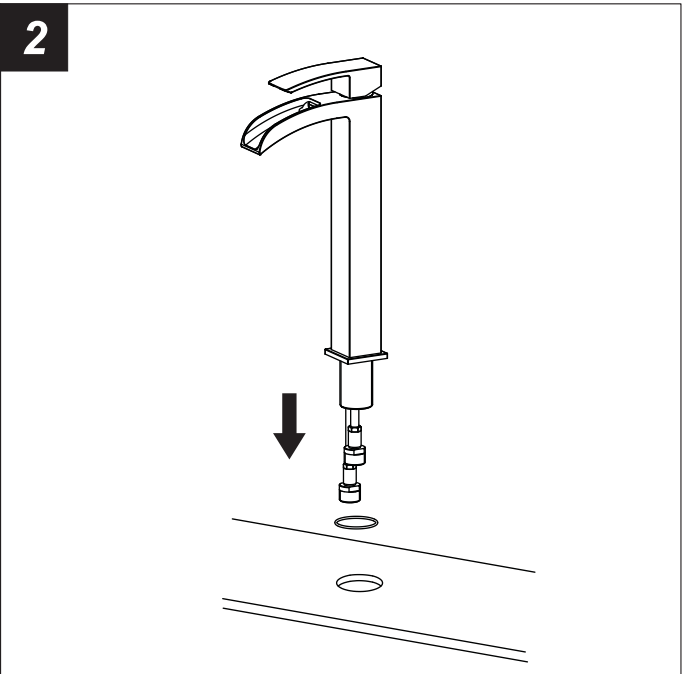


NO.	PART NAME
1	Index
2	Screw
3	Handle
4	Trim cap
5	Retainer
6	O-ring
7	Cartridge
8	Flow restricter
9	Body
10	Base
11	Shank
12	Copper tube
13	Connector
14	Filter
15	O-ring
16	Washer
17	Metal gasket
18	Lock nut
19	Screw
20	Flexible hose
21	Flow regulator
22	O-ring

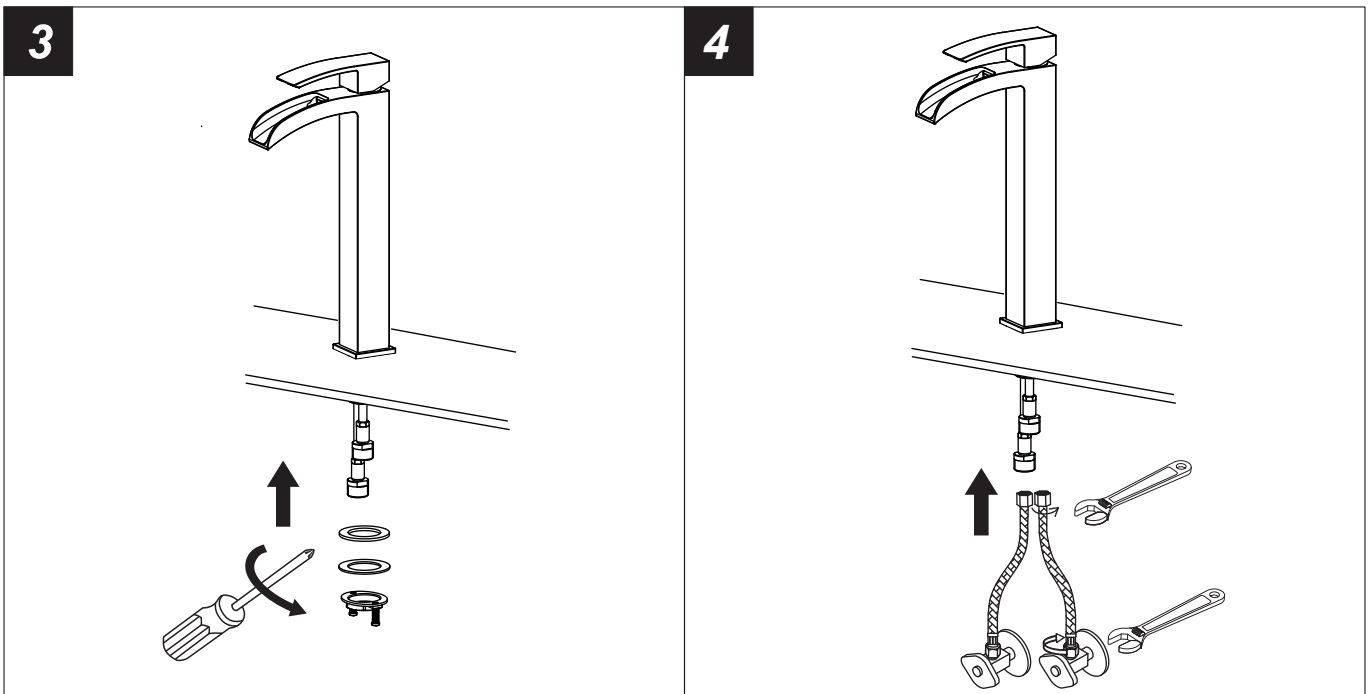
# Installation Instructions



1. Loosen the locknut (18) and remove the washer (16), metal gasket(17).

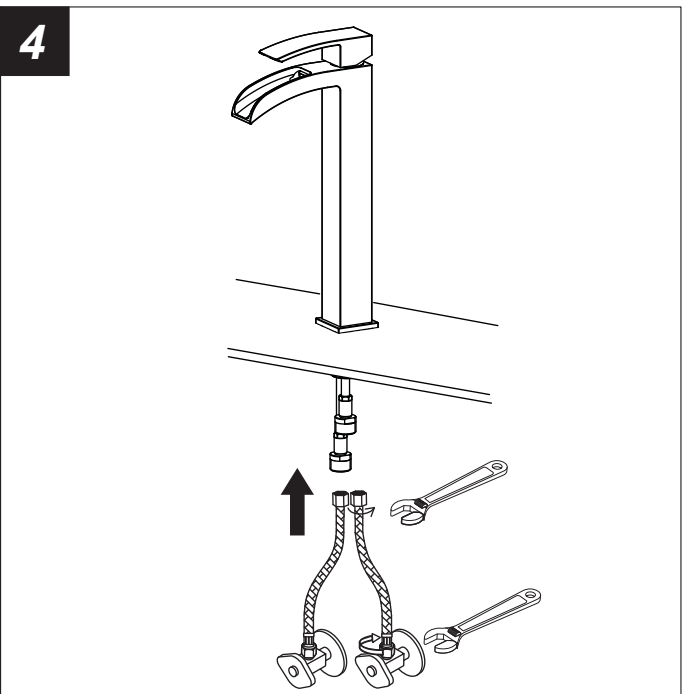


2. Slide the O-ring (15) over inlet tubes and shank. Position the faucet and gasket on the sink. Option: If sink is uneven, use silicone under the gasket.



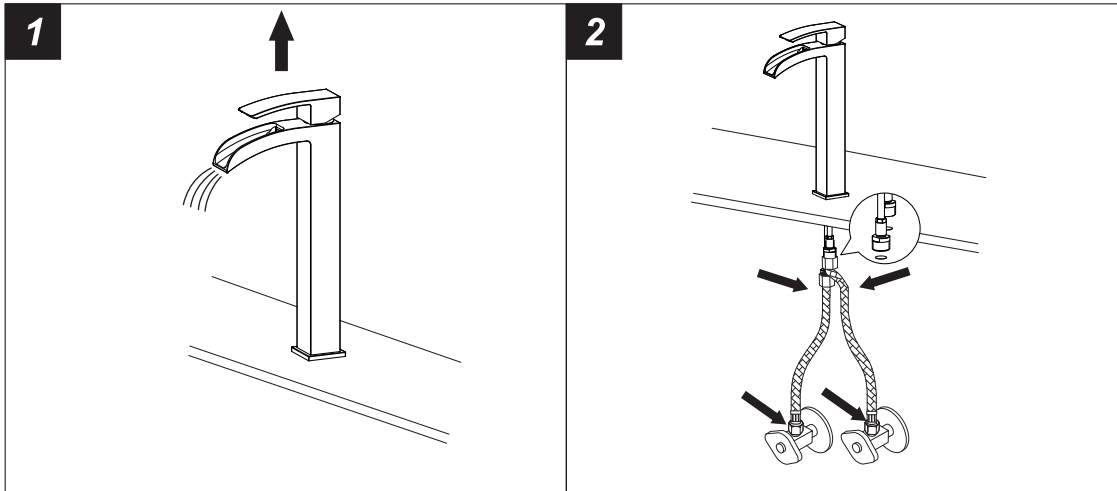
3. Place washer (16),metal gasket (17) over the shank under the sink. Install the locknut (18) and hand tighten it, then secure the faucet by tightening the screws of the locknut (18).

**NOTE: Supply valves are not included and must be purchased separately.**



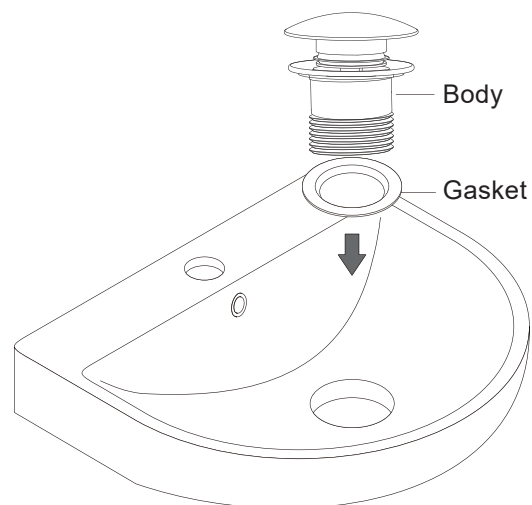
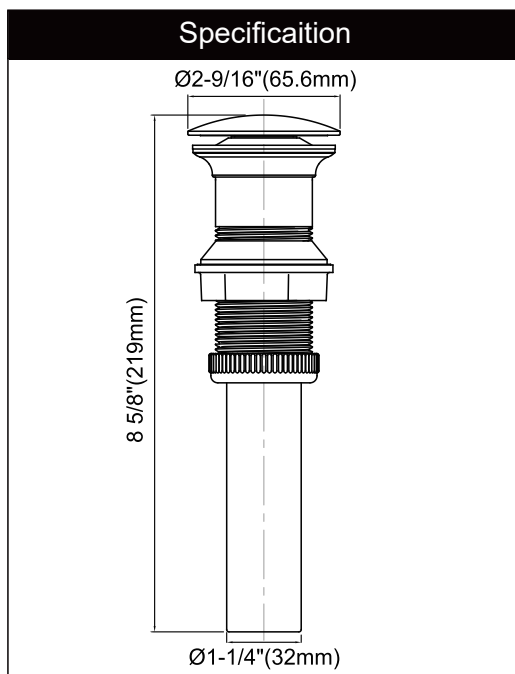
4. Connect the flexible hoses to the water supply valve (not included) and copper tubes, and tighten it with adjustable wrench. **DON'T OVER TIGHTEN!** Caution: make sure to connect the hot and cold flexible hose to supply valves correctly.

## Checking and testing

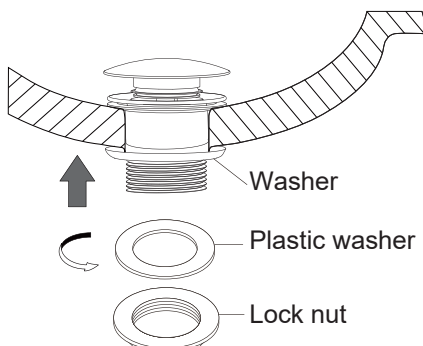


- A. Turn on the faucet and check that the water is flowing freely and steadily.
- B. If the water flow is weak, turn off the faucet, disconnect the hoses from the faucet and check the filter. Use pliers or a sharp pin to remove the filters for cleaning. Then place the filters back and reconnect the hoses to the faucet.
- C. Check all connection points (see the arrows in fig. 2) for any leakage. Tighten if necessary. **BUT DON'T OVERTIGHTEN!**

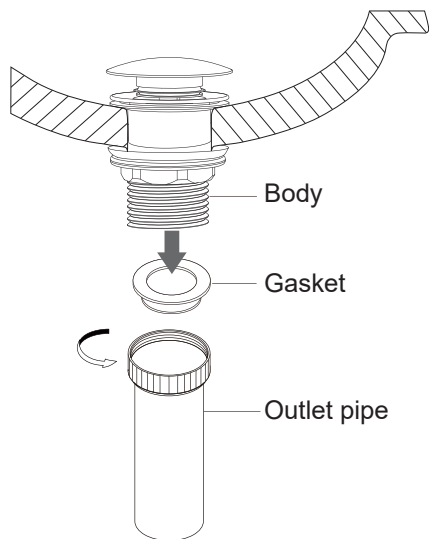
## Push Pop-Up Installation



1. Install the pop-up body and gasket into the drain hole.



2. Install washer, plastic washer and lock nut from below. Secure the pop-up by tightening the lock nut.

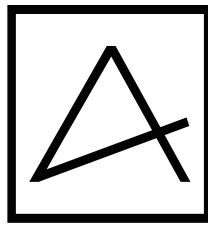


3. Install the pipe with the gasket inside.

### Care and Maintenance

Daily care and cleaning are required to keep the product shining and functional. ONLY USE Regular soap and warm water to wash the faucet. Then dry off with a soft cloth.

NEVER USE Any strong cleaners. Avoid using any harsh chemicals. And never scrub using abrasive sponges or materials.



ANZZI®