



ANZZI™

CREMA

Freestanding Bathtub
FT-AZ509

Dimensions:

31.5" L x 70.8" W x 22.8" H

Weight: 370 lb.

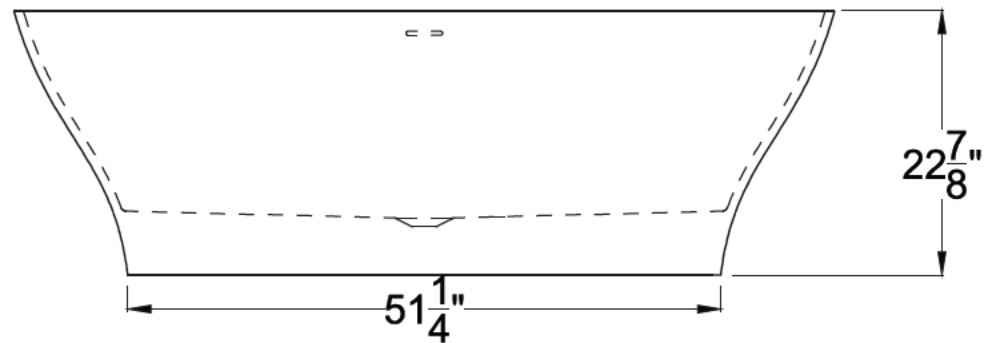
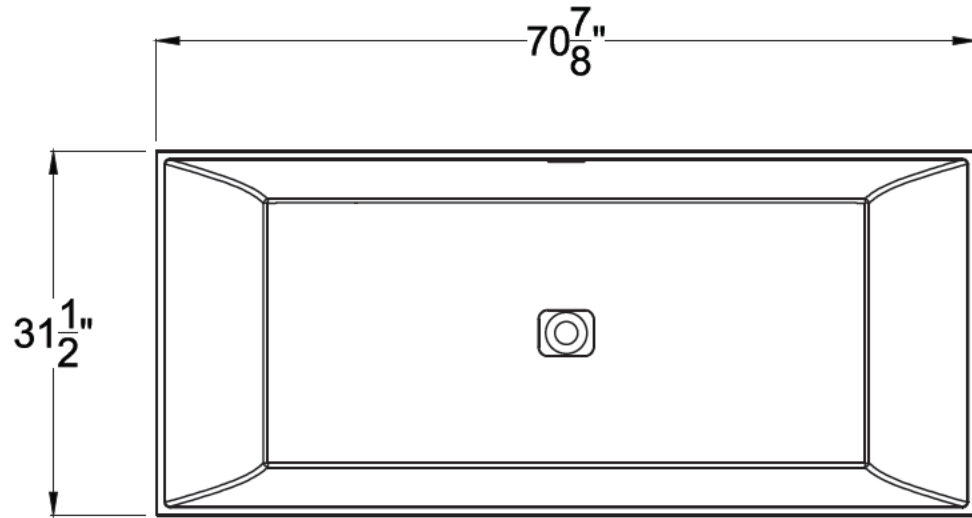
Material: ANZZI Stone™ Resin

Capacity: 90 gal

For more information visit

www.ANZZI.com or call

1-844-44-ANZZI



Perfection is our Tradition™