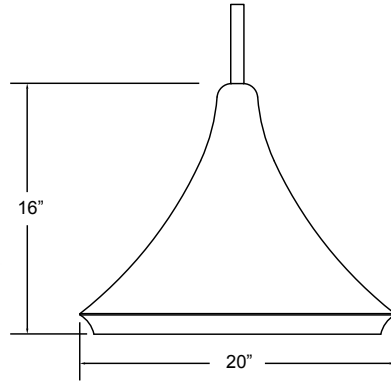


Project: \_\_\_\_\_

Fixture Type: \_\_\_\_\_ Quantity: \_\_\_\_\_

Customer: \_\_\_\_\_



### Specifications

**Material:**  
Shades are constructed of heavy duty spun aluminum.

**Lens:**  
Diffused acrylic lens is standard.

**Electrical:**  
Universal voltage 120-277 is standard. 0-10V, TRIAC and ELV dimming protocols are standard. (24w is 0-10v only) See page 2 table for LED module and driver specs, voltage and dimming protocols.

**Certifications:**  
UL Listed for dry locations.

**Finish:**  
A polyester powder coat high quality finish is electro-statically applied and baked at 430° for exceptional durability and color retention. Products undergo an intensive five-step cleansing and pretreatment process for maximum paint adhesion.

Canopy finish will match cord color.

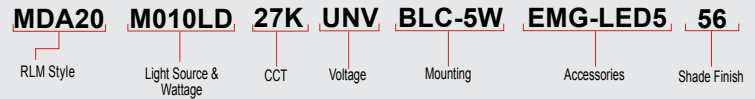
**Modifications:**  
Consult factory for custom or modified luminaires.

## MDA20

Weight: 5.0 lbs

LED

### Catalog Logic



Catalog Number	1	2	3	4	5	6
	<b>MDA20</b>			<b>UNV</b>		

1	LIGHT SOURCE & WATTAGES
M009LD	(9w, 850 lumen, Cree module)
M010LD	(10w, 1250 lumen, Cree module)
M016LD	(16w, 2000 lumen, Cree module)

2	COLOR TEMPERATURE (CCT)
27K	(2700K)
30K	(3000K)
35K	(3500K)
40K	(4000K)

3	VOLTAGE
UNV	(120 - 277)

4	MOUNTING
Cable Mounts	
SSC-BLC-5W (Stainless steel cable with 6-foot black cord and canopy)	
SSC-WHC-5W (Stainless steel cable with 6-foot white cord and canopy)	
Cord Mounts	
BLC-5W (6' black cord with 3/4" x 5 3/8" canopy)	
WHC-5W (6' white cord with 3/4" x 5 3/8" canopy)	
Stem Mounts	
1/4" (1/2" OD Stems with 45° Swivel Flat Canopy)	
1ST6 1ST12 1ST18 1ST24 1ST36 1ST48	
1ST60 1ST72 1ST96	
1/4" (1/2" OD Rigid Stems with Flat Canopy)	
1STR6 1STR12 1STR18 1STR24 1STR36	
1STR48 1STR60 1STR72 1STR96	

5	ACCESSORIES
*EMG-LED5 (5w LED Emergency Driver, remote placement)	
*EMG-LED7 (7w LED Emergency Driver, remote placement)	
*EMG-LED10 (10w LED Emergency Driver, remote placement)	
*For Emergency lumen output data, see Resources section at www.ANPlighting.com	

6 FINISHES			
Standard Grade		Standard Grade	
40	Raw Unfinished	53	Copper Clay
41	Black	56	Silver
42	Forest Green	61	Black Verde
43	Bright Red	70	Painted Chrome
44	White	71	Painted Copper
45	Bright Blue	72	Textured Black
46	Sunny Yellow	73	Matte Black
47	Aqua Green	76	Textured Architectural Bronze
49	Galvanized	77	Textured White
50	Navy	78	Textured Silver
51	Architectural Bronze	10	Aspen Green
52	Patina Verde	11	Cantaloupe
12	Lilac	13	Putty
Premium Grade		Premium Grade	
81	Extreme Chrome	64	Candy Apple Red
80	Textured Desert Stone	65	Cobalt Blue
67	Butterscotch	82	Graystone
66	Caramel	69	Gunmetal Gray
68	Black Silver	83	Oil Rubbed Bronze

Consult factory for additional paint charges and availability

Project: \_\_\_\_\_

Fixture Type: \_\_\_\_\_ Quantity: \_\_\_\_\_

Customer: \_\_\_\_\_



### MODULE SPECIFICATION:

- Efficacy 97-125 lumens per watt
- Dimmable down to 1%
- Life: L70 50,000 hours
- Color temp: 2700K,3000K,3500K and 4000K
- CRI: >90

### MODULE DRIVER SPECIFICATION:

- Input Voltage: 120-277 Volts; 50/60Hz
- 0-10V, TRIAC and ELV dimming protocols are standard. (24w is 0-10v only)
- Output Current: Constant Current; 440mA to 940mA (model dependent)
- Driver Efficiency > 80%; Power Factor > 0.9
- Integral Surge Protection in conformance to ANSI C62.41 Category A

### MODULE LISTINGS

- Fully compliant with the RoHS Directive
- Certifications: CE/UL

### WARRANTY

See [www.anplighting.com](http://www.anplighting.com) for complete fixture warranty.

LED warranty information

- 5 year limited warranty\*

\*Limited Warranty: A typical year is defined as 4380 hours of operation.

## LED MODULE SPECIFICATIONS

LED Wattage	CCT	Typical Luminous Flux	System Wattage	Typical Efficacy
9W	2700K	850	11W	97
	3000K	850	11W	97
	3500K	850	11W	97
	4000K	850	11W	97
10W	2700K	1250	12W	125
	3000K	1250	12W	125
	3500K	1250	12W	125
	4000K	1250	12W	125
16W	2700K	2000	19W	125
	3000K	2000	19W	125
	3500K	2000	19W	125
	4000K	2000	19W	125