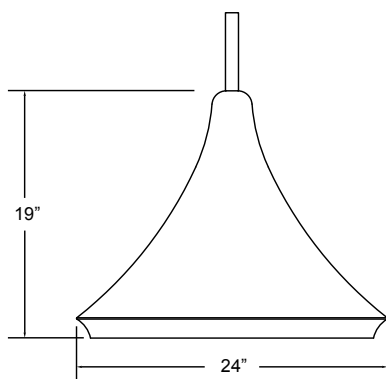


Project: \_\_\_\_\_  
 Fixture Type: \_\_\_\_\_ Quantity: \_\_\_\_\_  
 Customer: \_\_\_\_\_



### Specifications

**Material:**  
Shades are constructed of heavy duty spun aluminum.

**Lens:**  
Diffused acrylic lens is standard.

**Electrical:**  
Medium base or GU24 base socket.  
60w Maximum.

**Certifications:**  
UL Listed for dry locations.



**Finish:**  
A polyester powder coat high quality finish is electro-statically applied and baked at 430° for exceptional durability and color retention. Products undergo an intensive five-step cleansing and pretreatment process for maximum paint adhesion.

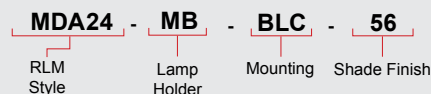
Canopy finish will match cord color.

**Modifications:**  
Consult factory for custom or modified luminaires.

## MDA24

Weight: 4.5 lbs

### Catalog Logic



### Catalog Number

MDA24

### 1 LAMP HOLDER

**MB** - Medium Base (E26)

**GU24** - GU24 Base

### 2 MOUNTING

Cable Mounts

**SSC-BLC** (Stainless steel cable with 6-foot black cord and canopy)

**SSC-WHC** (Stainless steel cable with 6-foot white cord and canopy)

Cord Mounts

**BLC** (6' black cord with 3/4" x 5 3/8" canopy)

**WHC** (6' white cord with 3/4" x 5 3/8" canopy)

Stem Mounts

1/4" (1/2" OD Stems with 45° Swivel Flat Canopy)

**1STS6 1STS12 1STS18 1STS24 1STS36 1STS48**

**1STS60 1STS72 1STS96**

1/4" (1/2" OD Rigid Stems with Flat Canopy)

**1STR6 1STR12 1STR18 1STR24 1STR36**

**1STR48 1STR60 1STR72 1STR96**

### 3 FINISHES

| Standard Grade |                      | Standard Grade |                               |
|----------------|----------------------|----------------|-------------------------------|
| 40             | Raw Unfinished       | 53             | Copper Clay                   |
| 41             | Black                | 56             | Silver                        |
| 42             | Forest Green         | 61             | Black Verde                   |
| 43             | Bright Red           | 70             | Painted Chrome                |
| 44             | White                | 71             | Painted Copper                |
| 45             | Bright Blue          | 72             | Textured Black                |
| 46             | Sunny Yellow         | 73             | Matte Black                   |
| 47             | Aqua Green           | 76             | Textured Architectural Bronze |
| 49             | Galvanized           | 77             | Textured White                |
| 50             | Navy                 | 78             | Textured Silver               |
| 51             | Architectural Bronze | 10             | Aspen Green                   |
| 52             | Patina Verde         | 11             | Cantaloupe                    |
| 12             | Lilac                | 13             | Putty                         |

| Premium Grade |                       | Premium Grade |                   |
|---------------|-----------------------|---------------|-------------------|
| 81            | Extreme Chrome        | 64            | Candy Apple Red   |
| 80            | Textured Desert Stone | 65            | Cobalt Blue       |
| 67            | Butterscotch          | 82            | Graystone         |
| 66            | Caramel               | 69            | Gunmetal Gray     |
| 68            | Black Silver          | 83            | Oil Rubbed Bronze |

Consult factory for additional paint charges and availability

### WARRANTY

See [www.anplighting.com](http://www.anplighting.com) for complete fixture warranty