

Project: _____

Fixture Type: _____ Quantity: _____

Customer: _____



Specifications

Material:
Shades are constructed of heavy duty spun aluminum.

Lens:
Diffused acrylic lens is standard.

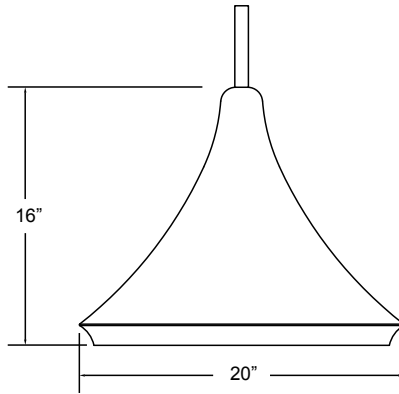
Electrical:
Medium base or GU24 base socket.
60w Maximum.

Certifications:
UL Listed for dry locations.

Finish:
A polyester powder coat high quality finish is electro-statically applied and baked at 430° for exceptional durability and color retention. Products undergo an intensive five-step cleansing and pretreatment process for maximum paint adhesion.

Canopy finish will match cord color.

Modifications:
Consult factory for custom or modified luminaires.



MDA20

Weight: 4.0 lbs

Catalog Logic

MDA20

RLM Style

MB

Lamp Holder

BLC

Mounting

56

Shade Finish

Catalog Number

1

2

3

MDA20

1 LAMP HOLDER

MB - Medium Base (E26)

GU24 - GU24 Base

2 MOUNTING

Cable Mounts

SSC-BLC (Stainless steel cable with 6-foot black cord and canopy)

SSC-WHC (Stainless steel cable with 6-foot white cord and canopy)

Cord Mounts

BLC (6' black cord with 3/4" x 5 3/8" canopy)

WHC (6' white cord with 3/4" x 5 3/8" canopy)

Stem Mounts

1/4" (1/2" OD Stems with 45° Swivel Flat Canopy)

1STS6 1STS12 1STS18 1STS24 1STS36 1STS48

1STS60 1STS72 1STS96

1/4" (1/2" OD Rigid Stems with Flat Canopy)

1STR6 1STR12 1STR18 1STR24 1STR36

1STR48 1STR60 1STR72 1STR96

3 FINISHES

Standard Grade

40	Raw Unfinished
41	Black
42	Forest Green
43	Bright Red
44	White
45	Bright Blue
46	Sunny Yellow
47	Aqua Green
49	Galvanized
50	Navy
51	Architectural Bronze
52	Patina Verde
12	Lilac

Standard Grade

53	Copper Clay
56	Silver
61	Black Verde
70	Painted Chrome
71	Painted Copper
72	Textured Black
73	Matte Black
76	Textured Architectural Bronze
77	Textured White
78	Textured Silver
10	Aspen Green
11	Cantaloupe
13	Putty

Premium Grade

81	Extreme Chrome
80	Textured Desert Stone
67	Butterscotch
66	Caramel
68	Black Silver

Premium Grade

64	Candy Apple Red
65	Cobalt Blue
82	Graystone
69	Gunmetal Gray
83	Oil Rubbed Bronze

Consult factory for additional paint charges and availability

WARRANTY

See www.anplighting.com for complete fixture warranty