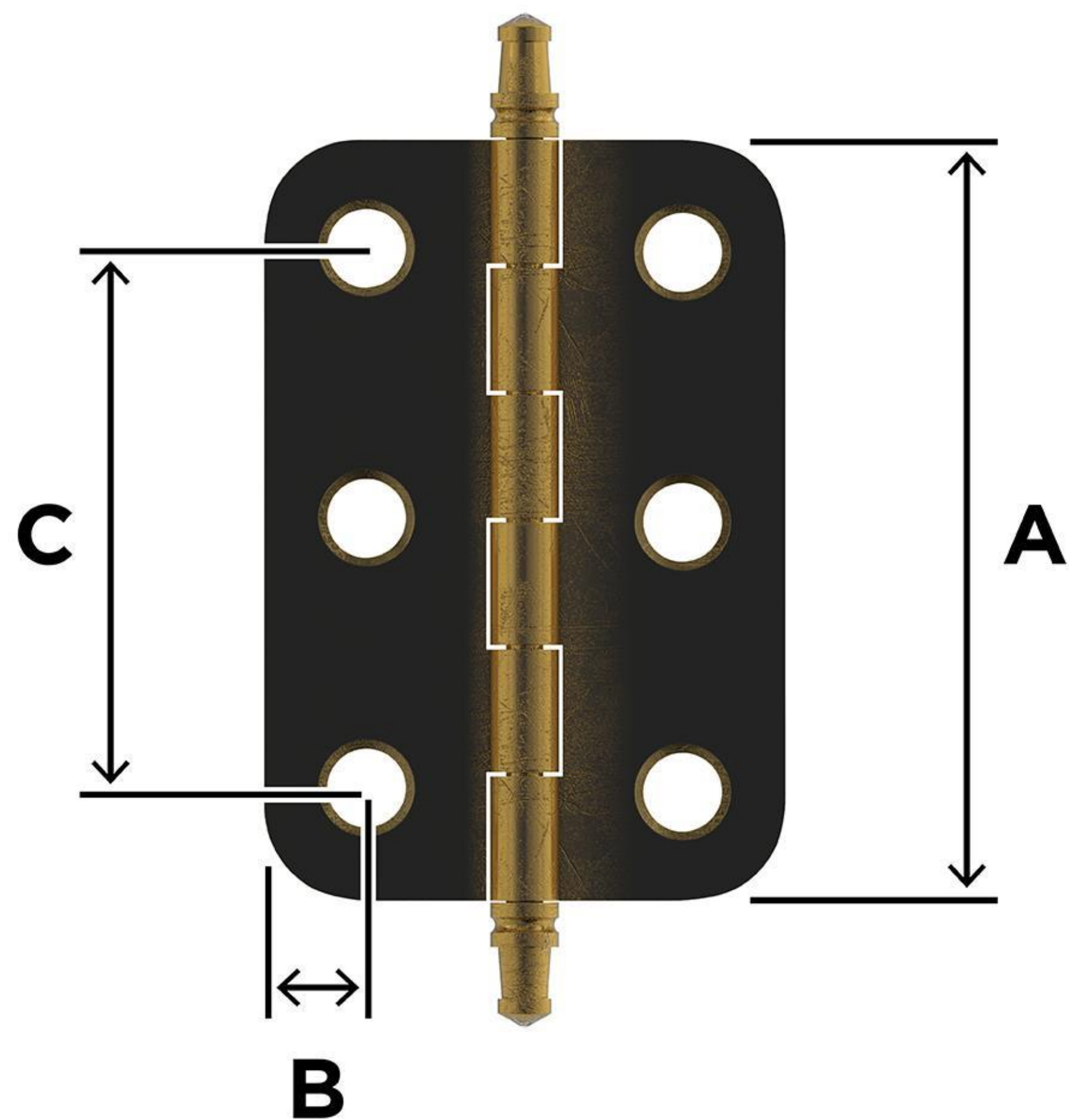
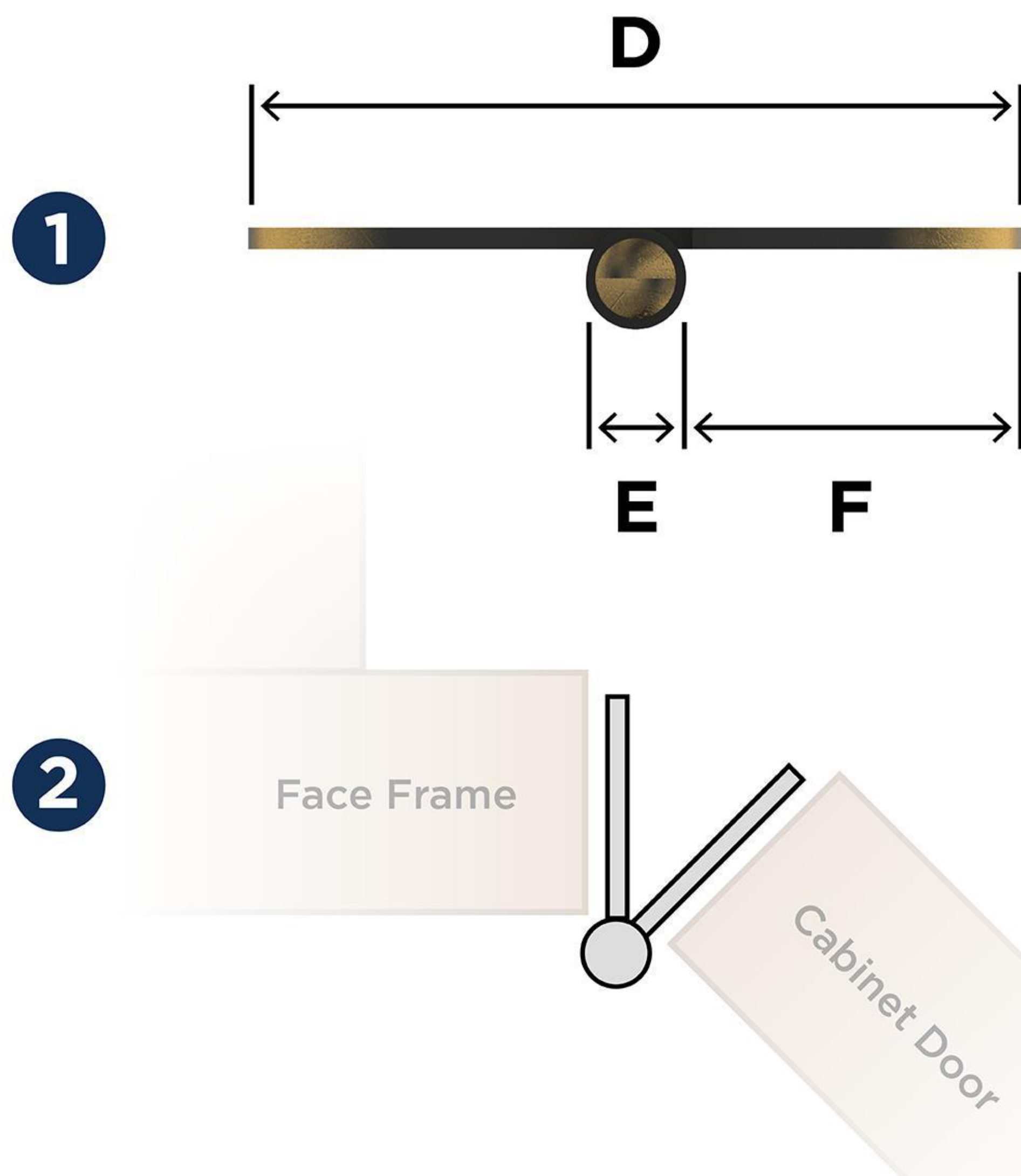


# Front View



<b>A</b>	<b>2in</b> (51mm)
<b>B</b>	<b>1/4in</b> (6mm)
<b>C</b>	<b>1-3/8in</b> (35mm)

# Top View



<b>D</b>	<b>1-3/8in</b> (35mm)
<b>E</b>	<b>3/16in</b> (5mm)
<b>F</b>	<b>9/16in</b> (14mm)