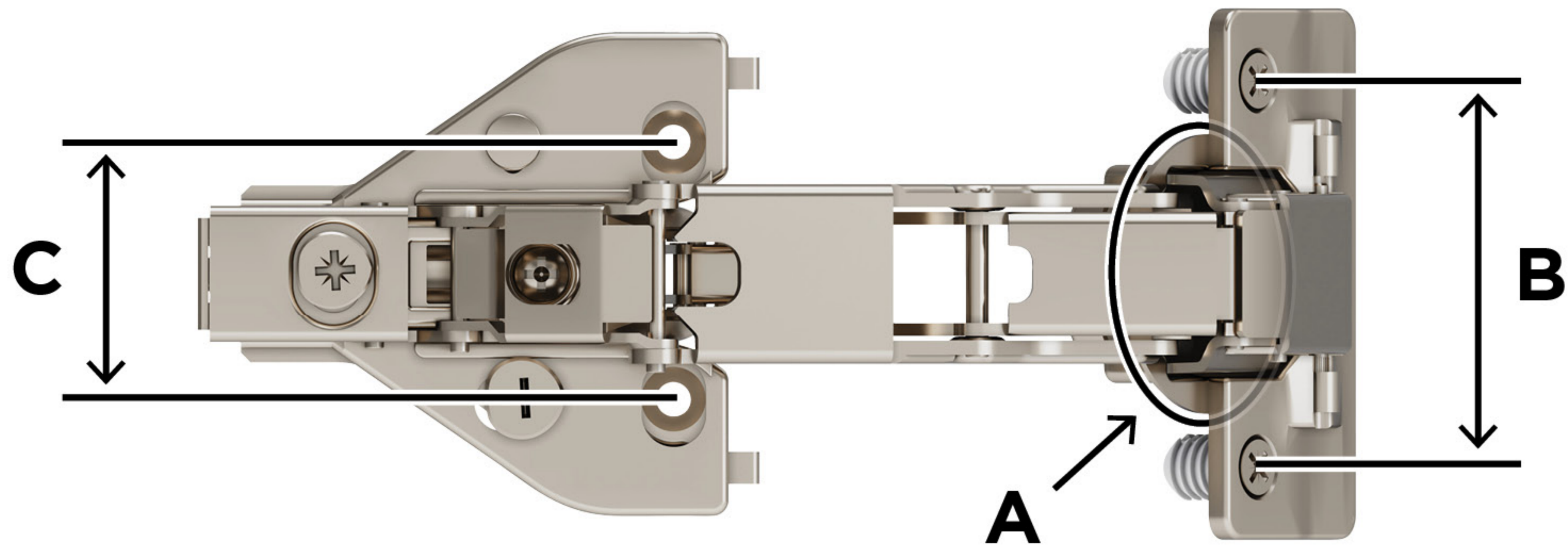
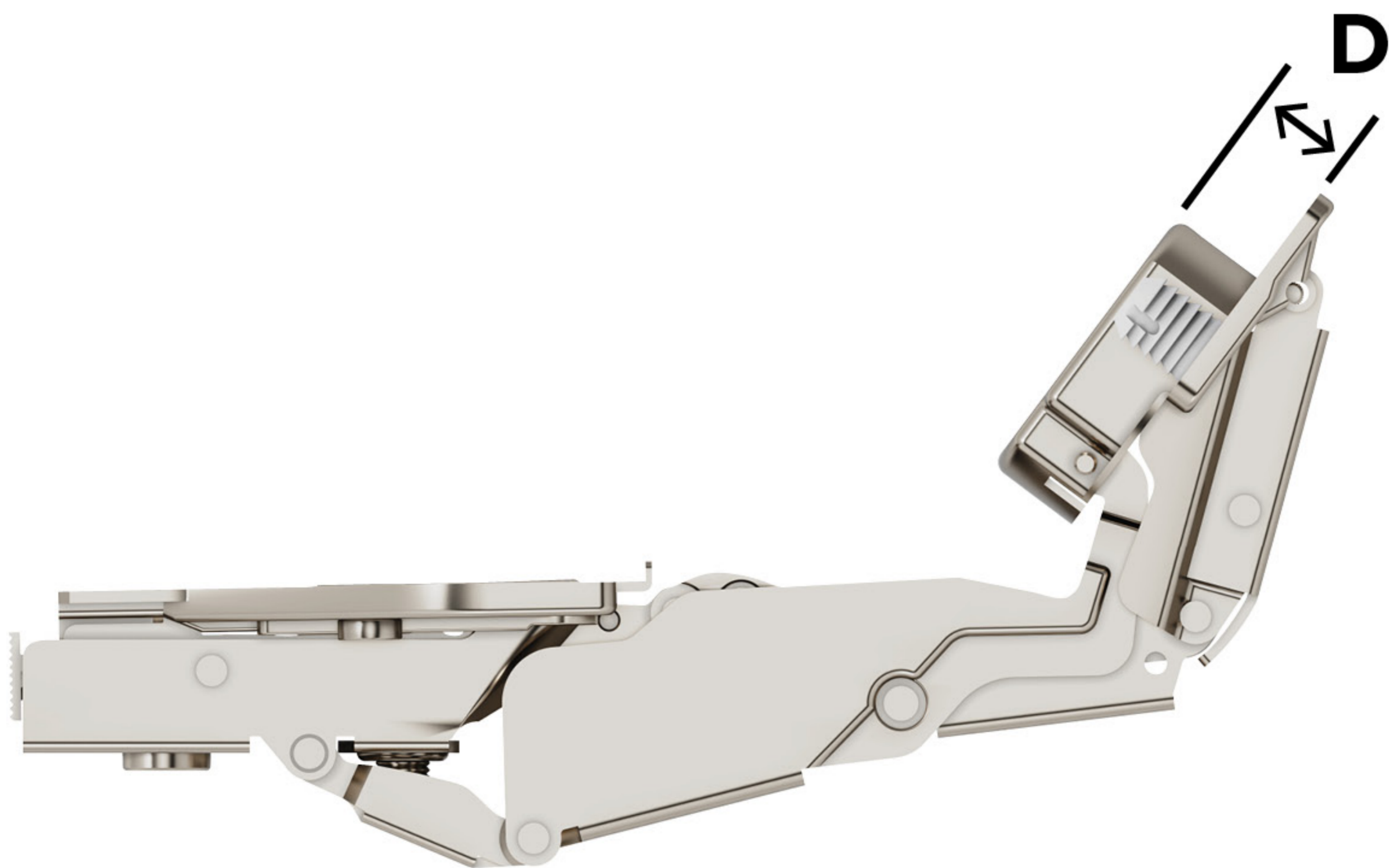


Front View



A	<i>Cup diameter:</i> 1-3/8in (35mm)
B	1-3/4in (45mm)
C	1-1/4in (32mm)

Top View



D	<i>Cup depth:</i> 7/16in (11.5mm)
----------	--