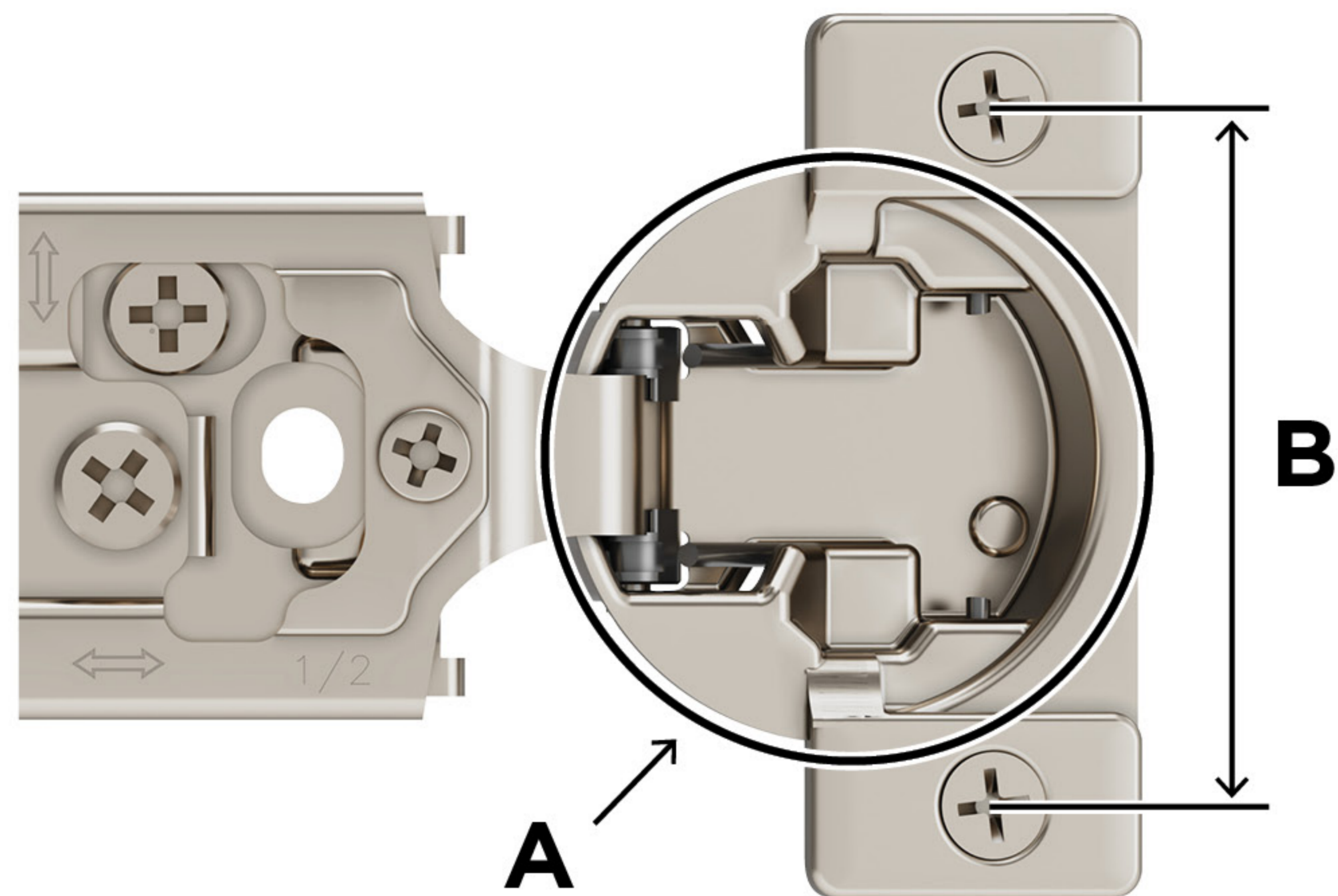


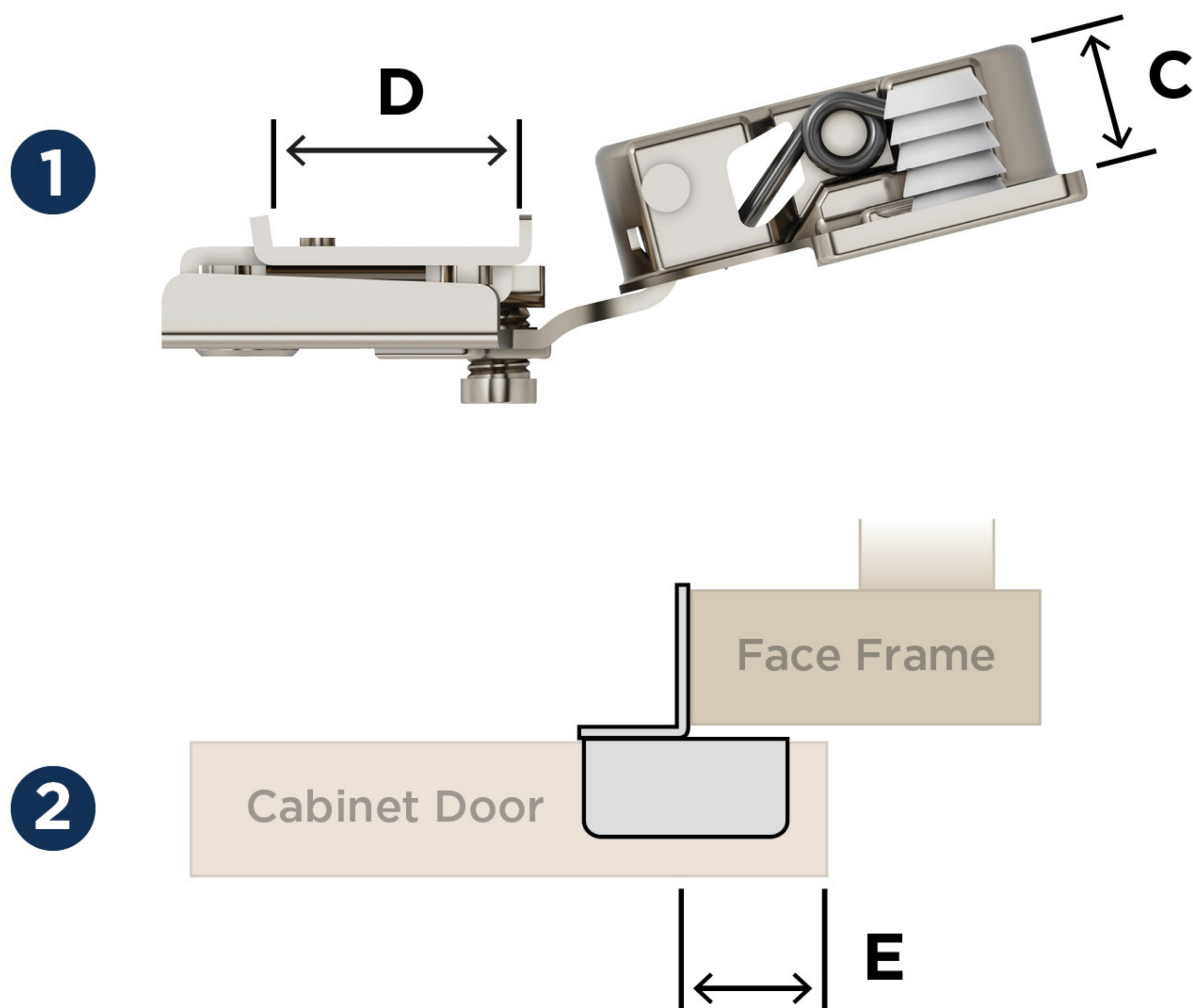
Front View



A *Cup diameter:*
1-3/8in
(35mm)

B **1-3/4in**
(45mm)

Top View



C *Cup depth:*
7/16in
(11.5mm)

D **13/16in**
(21mm)

E **1/2in**
(13mm)