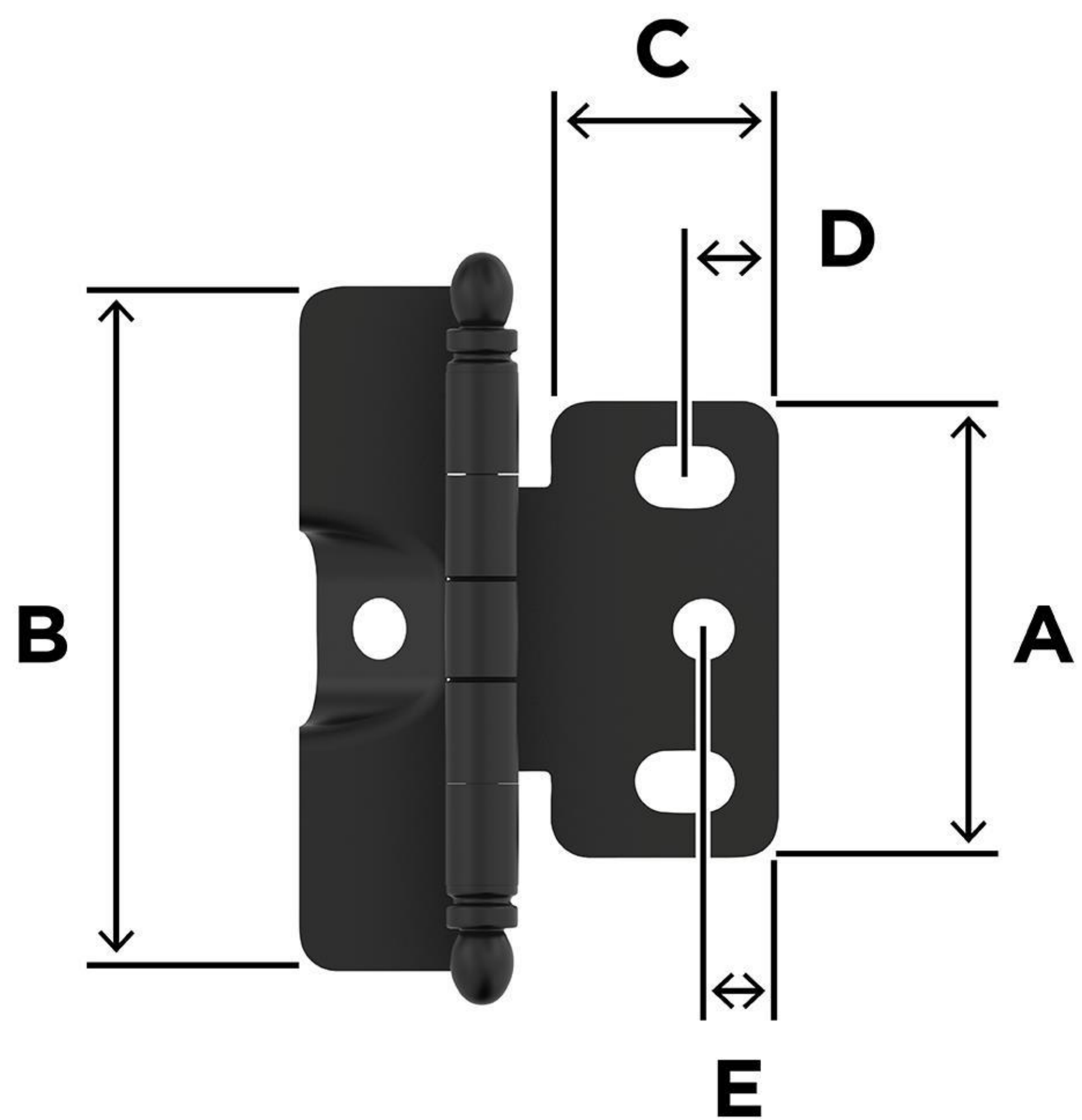
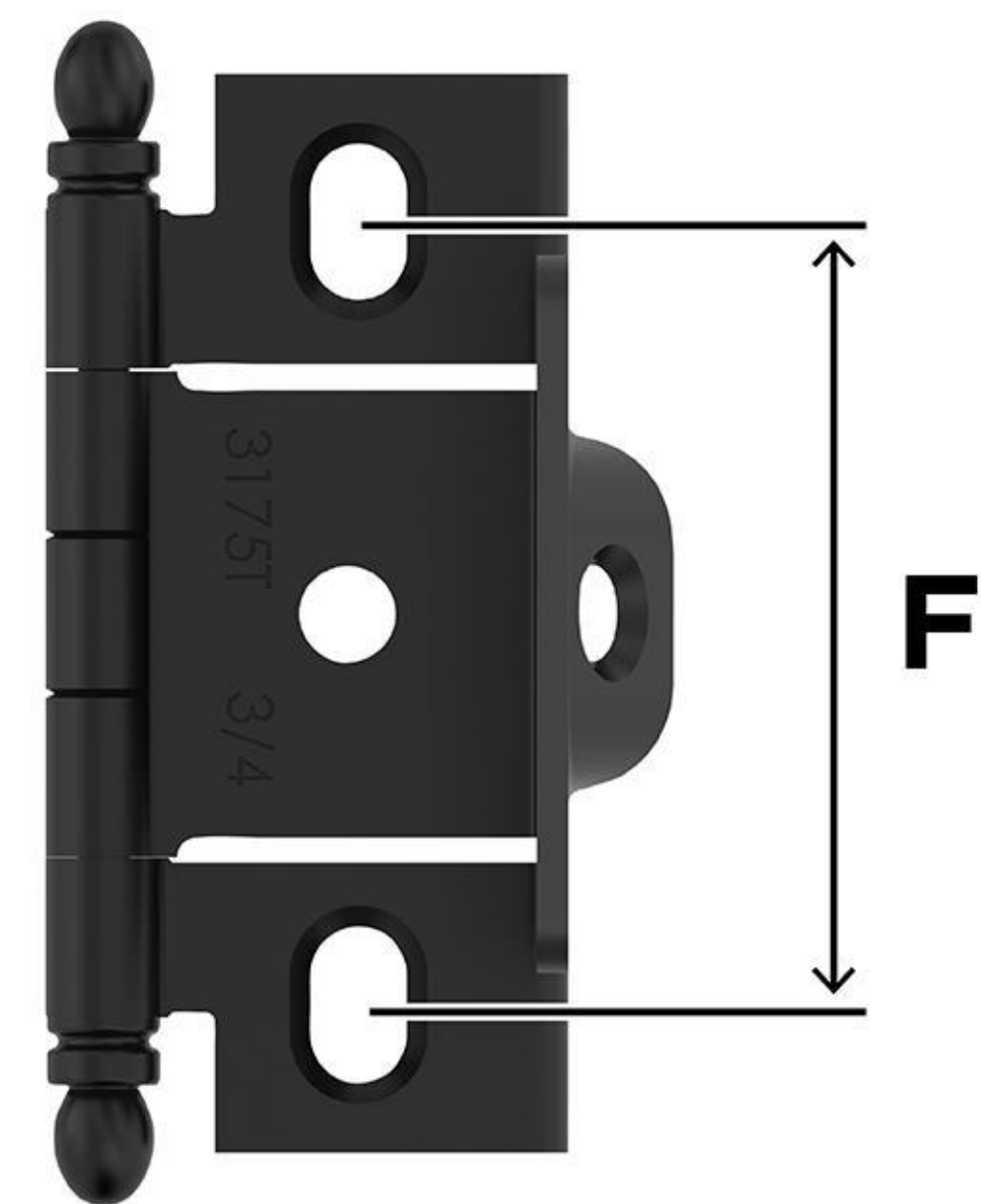


Front View



Side View



A	1-1/2in (38mm)	F	1-5/8in (41mm)
B	2-1/4in (57mm)	G	9/16in (14mm)
C	3/4in (19mm)	H	3/4in (19mm)
D	5/16in (8mm)	I	3/4in (19mm)
E	1/4in (6mm)	J	1/16in (2mm)

Top View

