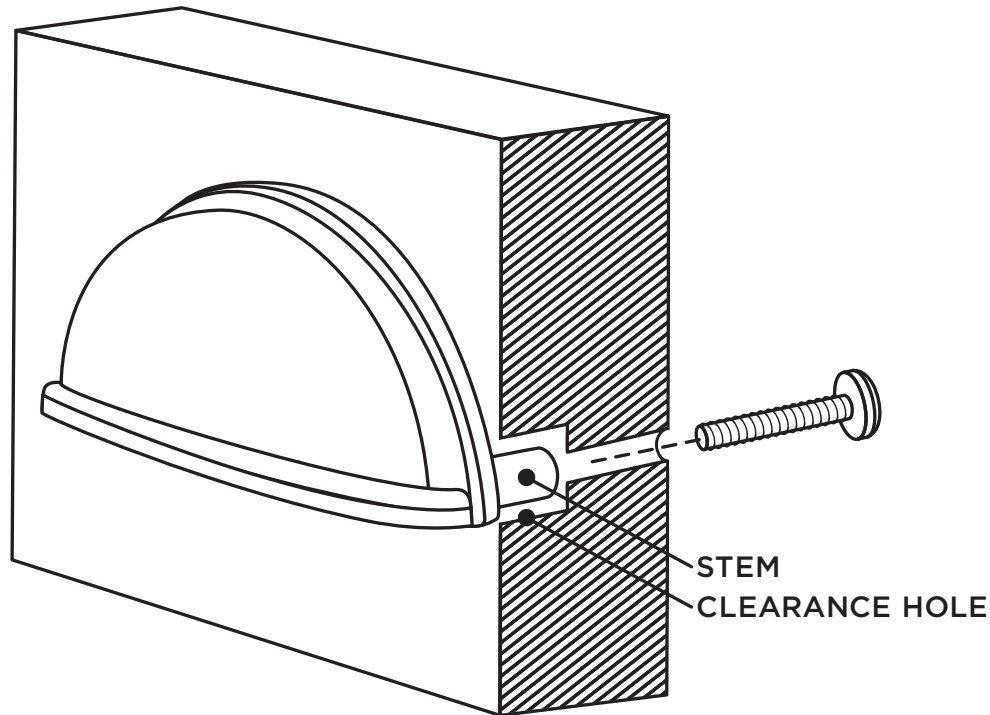


CORRECT INSTALLATION



FOR CUP PULL TO SIT FLUSH ON CABINET:

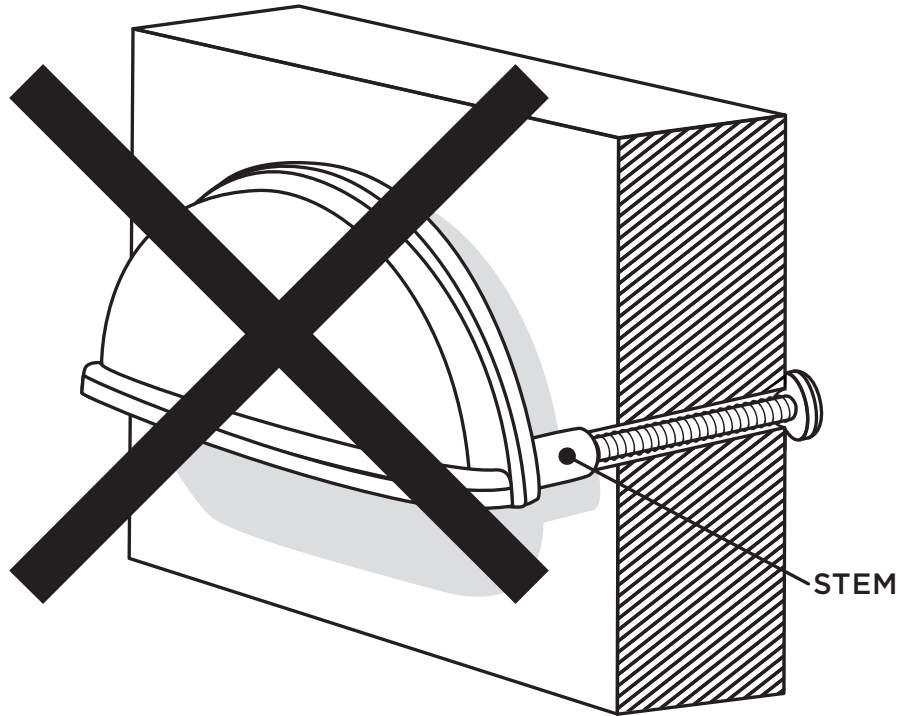
New Installation:

- 1) To mount on cabinet, drill $\frac{3}{16}$ in(4.8mm) hole through cabinet.
- 2) For the stem, use a standard $\frac{9}{32}$ in(7.1mm) drill bit and drill a clearance hole through the front of the cabinet.

Replacement Installation:

- 1) For the stem, use a standard $\frac{9}{32}$ in(7.1mm) drill bit and drill a clearance hole through the front of the cabinet.

INCORRECT INSTALLATION



⚠ WARNING

CUP PULL WILL NOT SIT FLUSH ON CABINET