

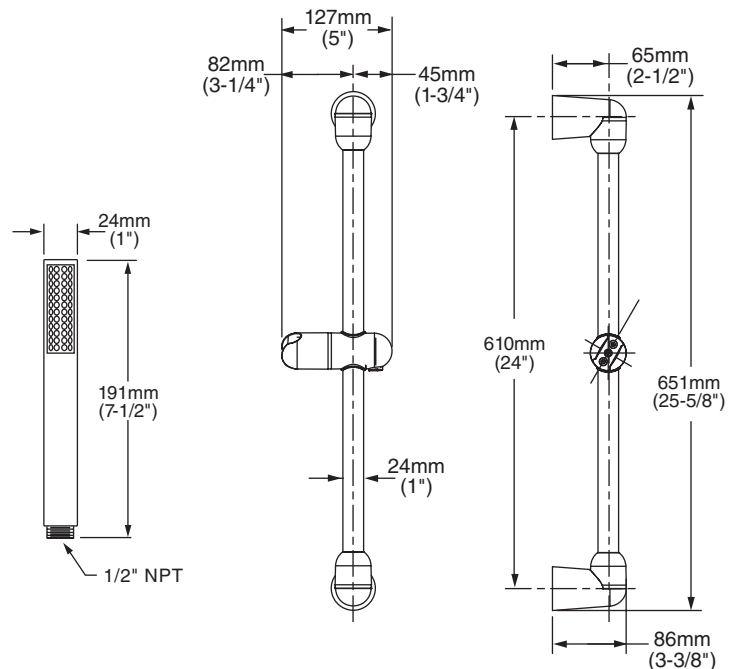
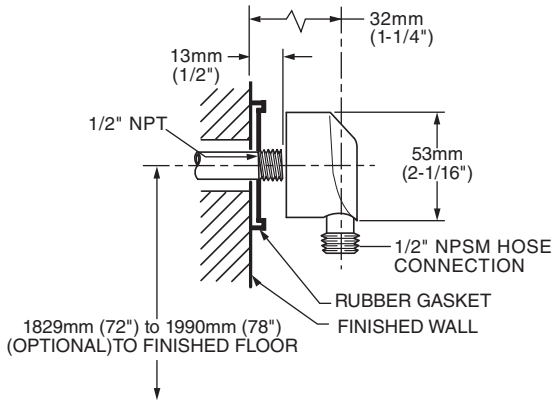
MODEL NUMBER:

☐ **1662.605 Shower System Kit**

Includes:

- Single Function Wand Style Hand Shower
- Hose
- Wall Supply
- Standard Slide Bar

8888.035
8888.037
1660.225



GENERAL DESCRIPTION:

Complete personal shower system includes: a wall supply with 1/2" NPT female inlet, 1/2" NPSM male outlet; a 59" (1500mm) shower hose; a single function hand shower; and a 25" Slide Bar. Fixed hand shower with 2.5 gpm/9.5L/min. flow restrictor. Slide bar features an adjustable shower holder which can be set at any height or position along the bar and angle up to 45°.

PRODUCT FEATURES:

HAND SHOWER:

Lightweight, Ergonomic Design: For a sure grip even with wet, soapy hands.

SLIDE BAR:

Simple Height Adjustment: Allows positioning of the personal shower anywhere along the bar.

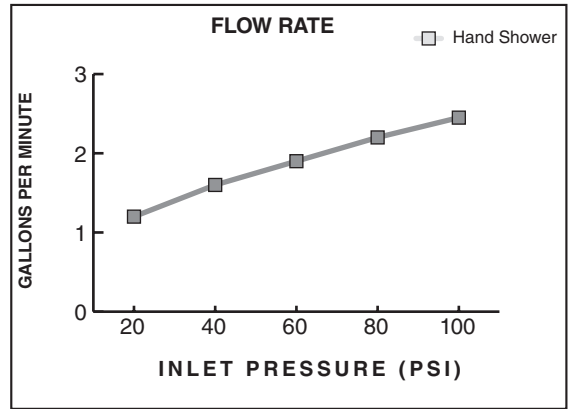
SUGGESTED SPECIFICATION:

Shower system shall feature a wall supply with 1/2" NPT female inlets, 1/2" NPSM male outlet, 59" hose, hand shower and a 25" Standard Slide Bar. Fitting shall be American Standard Model # 1662.605.____.

CODES AND STANDARDS

Install as required to comply with local code requirements.

ASME A112.18.1
CSA 125



Product Number	Description	Finish
		Polished Chrome
1662.605	Shower System Kit. Contains single function wand hand shower, hose, wall supply and slide bar.	002