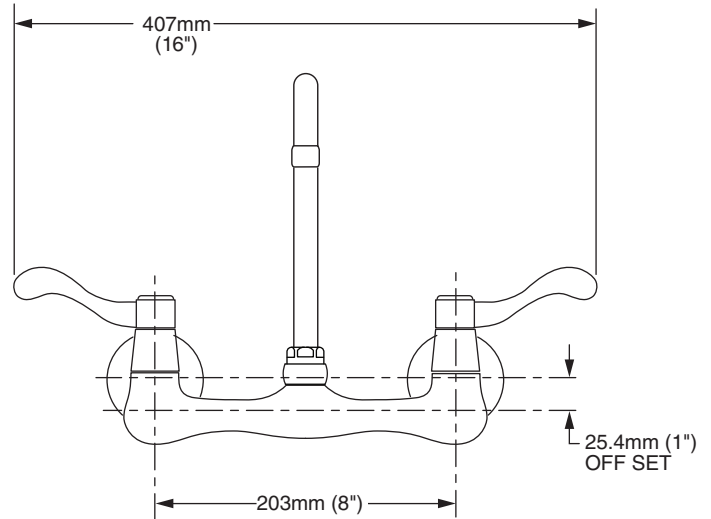
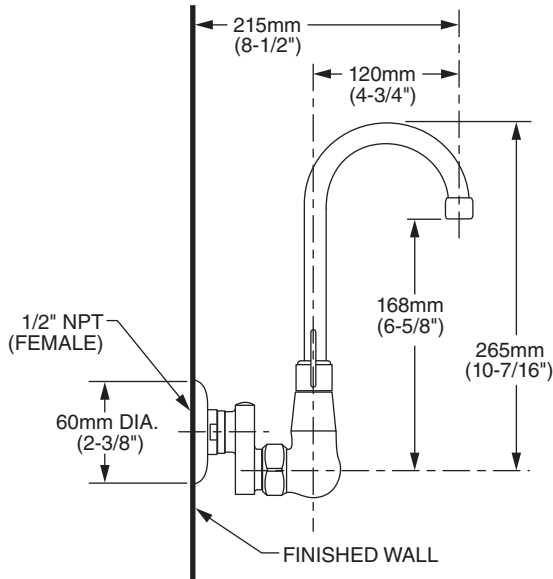




7293.172H Shown

MODEL NUMBER:

- ☐ **7293.172H Wall-Mount Sink Faucet**
Rigid/swivel gooseneck spout. Metal wrist blade handles. Offset shanks with integral supply stops. 1/2" NPT female inlets.



GENERAL DESCRIPTION:

Cast brass body. Field convertible rigid / swivel spout. Metal wrist blade handles with red and blue color indicators. 1/4 turn ceramic disc valve cartridges. Offset shanks with integral supply stops. 1/2" female inlets with adjustable centers from 6" to 10". 1.5 gpm/5.7 L/min. maximum flow rate.

PRODUCT FEATURES:

Cast Brass Construction: Durable - Excellent in high use applications.

Ceramic Disc Valve Cartridges: Assures a lifetime of drip-free performance.

Offset Shanks with Integral Supply Stops: Supply stops permit easy and convenient access. Offset shanks provide adjustable rough-in from 6 to 10 inches.

Lead Free: Faucet contains $\leq 0.25\%$ total lead content by weighted average.

SUGGESTED SPECIFICATION:

Wall-mount sink faucet shall feature a cast brass body with field convertible rigid / swivel tubular brass gooseneck spout. Metal wrist blade handles. Offset shanks with integral supply stops and adjustable rough-in from 6"-10". Shall also feature 1/4 turn washerless ceramic disc valve cartridges. 1.5gpm/5.7L/min. maximum flow rate. Fitting shall be American Standard Model # 7293.172H.002.



WALL MOUNT FAUCET

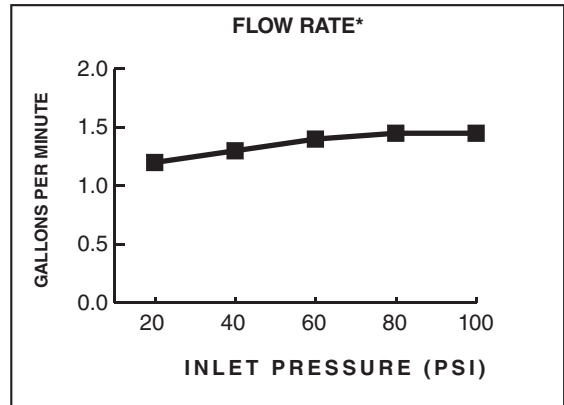
TWO-HANDLE

WITH BRASS GOOSENECK SPOUT & OFFSET SHANKS

CODES AND STANDARDS

These products meet or exceed the following codes and standards:

- ANSI A117.1
- ASME A112.18.1
- CSA B 125
- NSF 61/Section 9



Product Number	Description	Finish
		Polished Chrome
		002
7293.172H	Wall-mount sink faucet with field convertible rigid/swivel brass gooseneck spout. Offset shanks with integral supply stops. 2.2 gpm/8.3 L/min aerator. Wrist Blade Handles.	

 MEETS THE AMERICANS WITH DISABILITIES ACT GUIDELINES AND ANSI A117.1 REQUIREMENTS FOR ACCESSIBLE AND USABLE BUILDING FACILITIES-CHECK LOCAL CODES