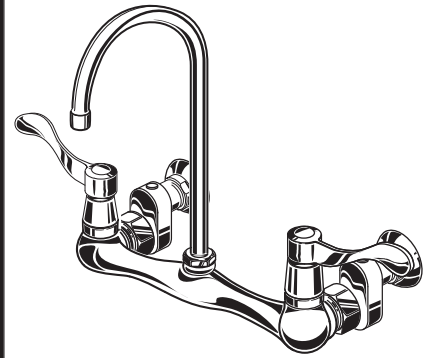


# Installation Instructions

## 7293.172



Certified to comply with ANSI A112.18.1M

M965048 REV.1.6

### Heritage Wall Mount Sink Faucet, with Gooseneck Spout and Screwdriver Stops in Shanks

*Thank you for selecting American-Standard...  
the benchmark of fine quality for over 100 years.*

*To ensure that your installation proceeds smoothly—  
please read these instructions carefully before you begin.*

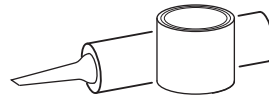
#### RECOMMENDED TOOLS



Channel Locks



Adjustable Wrench

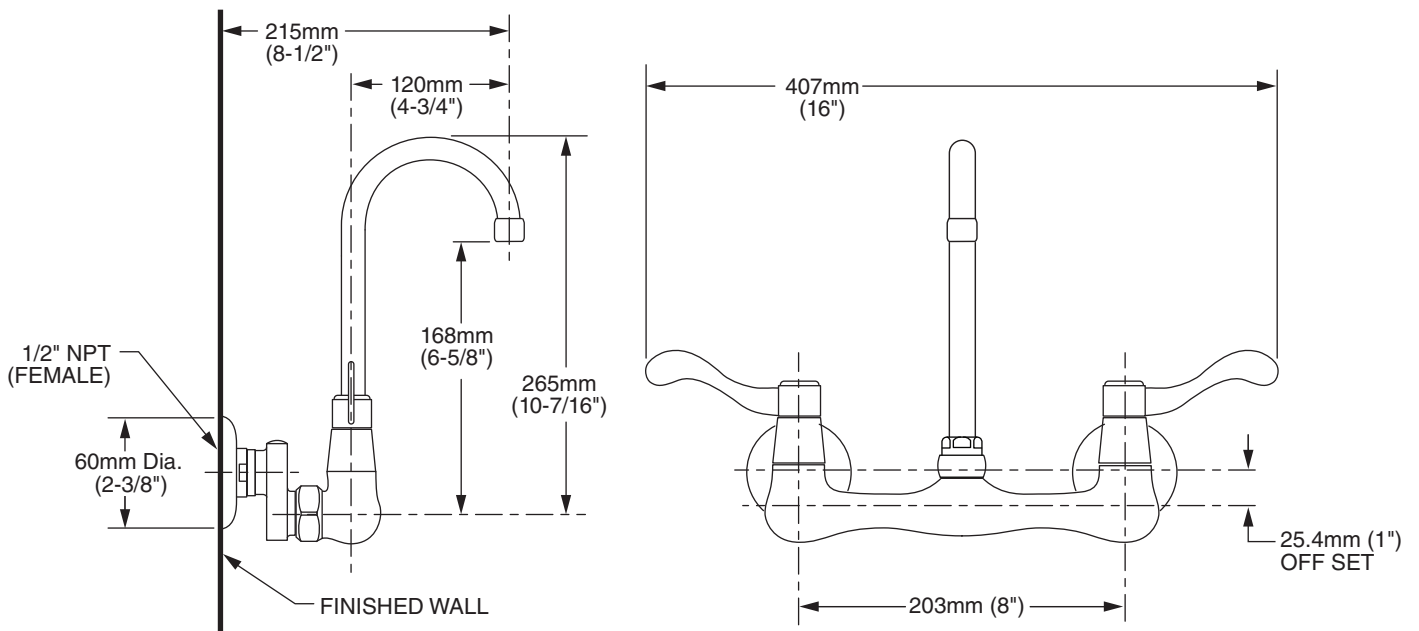


Plumbers' Putty or Caulking



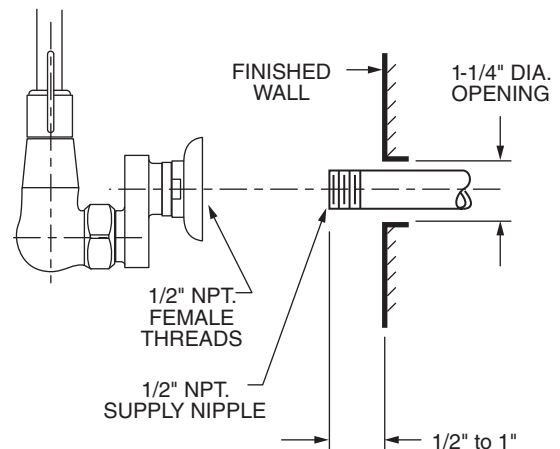
Phillips Screwdriver

#### ROUGHING-IN DIMENSIONS



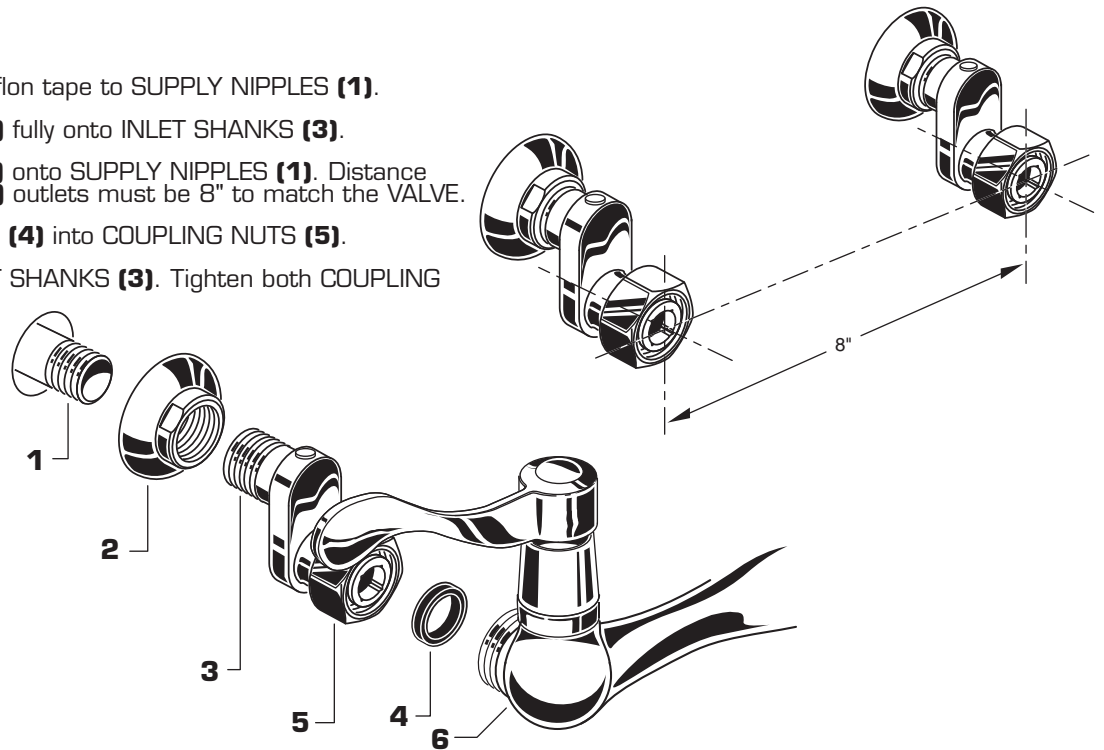
## 1 ROUGH-IN

- Prepare water supply lines per "Roughing-in Dimensions". Install 1/2" NPT. SUPPLY NIPPLES



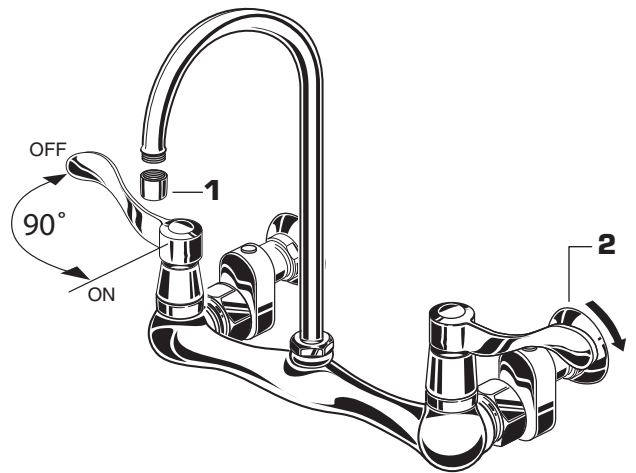
## 2 FINISH INSTALLATION

- Apply thread sealant or teflon tape to SUPPLY NIPPLES (1).
- Thread ESCUTCHEONS (2) fully onto INLET SHANKS (3).
- Thread INLET SHANKS (3) onto SUPPLY NIPPLES (1). Distance between INLET SHANK (3) outlets must be 8" to match the VALVE.
- Insert RUBBER WASHERS (4) into COUPLING NUTS (5).
- Attach VALVE (6) to INLET SHANKS (3). Tighten both COUPLING NUTS (5) firmly.



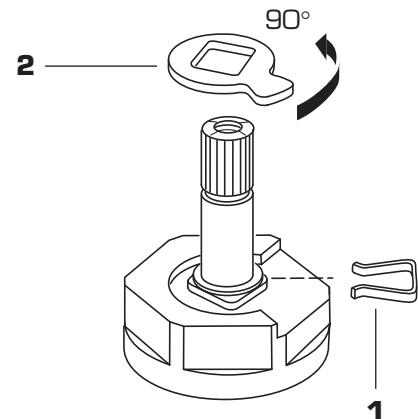
## 3 TEST FAUCET

- Remove AERATOR (1).
- Turn HANDLES TO **OFF** POSITION.
- Slowly turn water supplies on and check all connections for leaks.
- Operate HANDLES to flush water lines thoroughly.
- Turn HANDLES to **OFF** position and replace AERATOR (1).
- Thread ESCUTCHEONS against finished wall.



## 4 SERVICE

- To change direction of handle rotation, proceed as follows:
  - Turn HANDLE to OFF position.
  - Remove HANDLE SCREW and HANDLE.
  - Remove SPRING CLIP (1).
  - Lift STOP WASHER (2), turn 90° and replace.
  - Replace SPRING CLIP (1).
  - Replace HANDLE and HANDLE SCREW.
- AERATOR may accumulate dirt causing distorted and reduced water flow. Remove AERATOR and rinse clean.
- If spout drips, operate handles several times from OFF to ON position. Do not force - handles turn only 90°.



## 5 CARE INSTRUCTIONS:

**DO: SIMPLY RINSE THE PRODUCT CLEAN WITH CLEAR WATER. DRY WITH A SOFT COTTON FLANNEL CLOTH.**  
**DO NOT: DO NOT CLEAN THE PRODUCT WITH SOAPS, ACID, POLISH, ABRASIVES, HARSH CLEANERS, OR A CLOTH WITH A COARSE SURFACE.**