

Installation Instructions

SELECTRONIC® Hard-Wired, AC Powered Proximity Integrated Faucet with Above-Deck Mixing

PRODUCT NUMBER

| | |
|----------|----------|
| 7059.105 | 7059.205 |
| 7059.115 | 7059.215 |
| 7057.105 | 7057.205 |
| 7057.115 | 7057.215 |

- Flexible Selectronic Platform with Universal Sensor
- Easy installation. All electronics in the spout; nothing below deck.
- User adjustable above-deck mixing uses ceramic disc valve for dependability & long life
- Mixing handle can be removed for one time temperature setting during installation



Product No.'s & Options 1

Specifications 2

How to Install 2-4

Maintenance 4-8

FAQ,s 8

Replacement Parts 9

Certified to comply with ASME A112.18.1M
© 2012 American Standard

M965270 REV. 1.6

American Standard

NOTE TO INSTALLER: Please give this manual to the customer after installation.

To learn more about American Standard Faucets visit our website at: www.americanstandard-us.com
or U.S. customer's e-mail us at: faucetsupport@americanstandard.com

For Parts, Service, Warranty or other Assistance,
please call **1-800-442-1902 (In Canada: 1-800-387-0369)**
(In Toronto Area only: 1-905-3061093)

Thank you for selecting American-Standard...the benchmark of fine quality for over 100 years. To ensure that your installation proceeds smoothly--please read these instructions carefully before you begin.

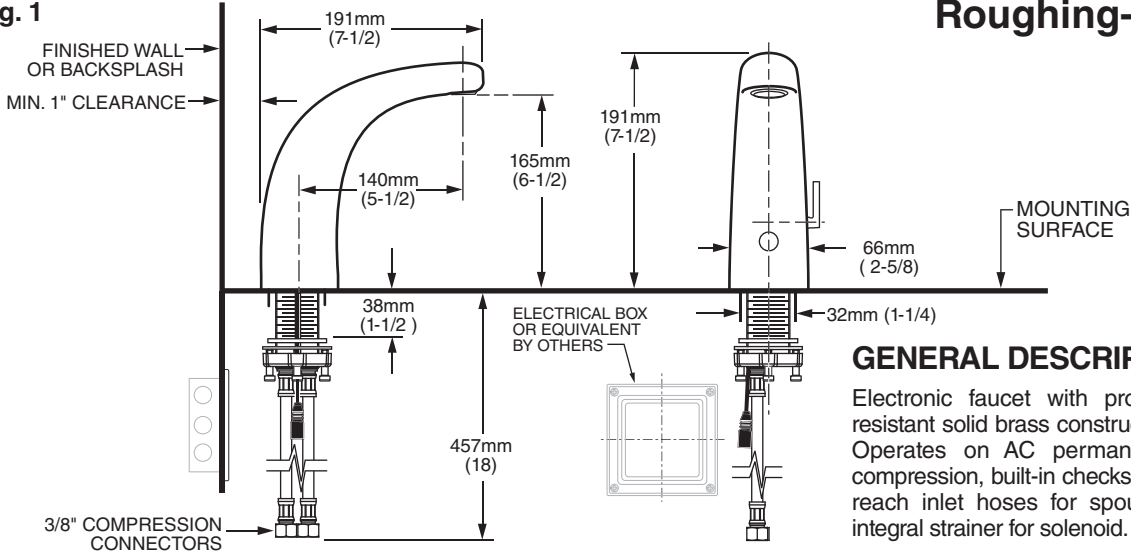
UNPACKING

All American Standard Faucets Are Water Tested At Our Factory. Some Residual Water May Remain In The Faucet During Shipping.

1. Remove the fitting and loose items from the carton. The illustration below shows the fitting and all loose items after they have been removed from the carton. Some items may be packaged partially assembled to other items.

- | | |
|-------------------------------|--|
| 1. Selectronic Spout Assembly | 6. 4" Deck plate (optional must be ordered separately) |
| 2. Mounting Kit | 7. Mixing Valve (optional must be ordered separately) |
| 3. Power Supply | 8. Key for vandal resistant aerator |
| 4. Cable Extension, 27" | 9. Installation Instructions |
| 5. 10' Multi Extension Cable | 10. Hose Adapter |
| | 11. Y - Connector |

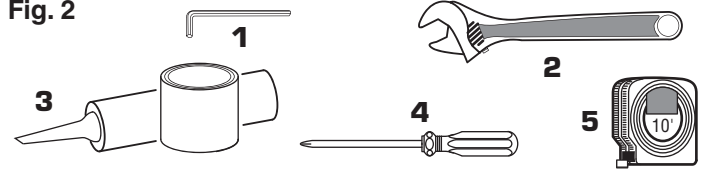
| | Less Mixing | With Above-Deck Mixing | | | | | | | | | | | | | | | | | | | | | | | | |
|-----------------|---|-------------------------|---|-----------------|---|--------------|---|--------|---|------|---|----------------|---|--|-------------|---|-----------------|---|--------------|---|--------|---|------|---|----------------|---|
| Base Product | <p>PRODUCT No.s 7059.105 7059.115 7057.105 7057.115</p> <p>DO NOT REMOVE PROTECTIVE FILM FROM SENSOR EYE UNTIL INSTALLATION IS COMPLETE.</p> <p>11 5 4 3 9 10 2</p> <p>Installation Instructions SELECTRONIC® Hand-Wired, AC Powered Proximity Integrated Faucet with Above-Deck Mixing 1. Installation of faucet 2. Installation of aerator 3. Installation of power supply 4. Installation of cables 5. Installation of deck plate 6. Installation of mixing valve 7. Installation of hose adapter 8. Installation of vandal resistant aerator 9. Installation of mounting kit 10. Installation of Y-connector 11. Installation of power supply</p> <p><small>Product No.'s & Options</small> <table border="0"> <tr><td>Electronics</td><td>1</td></tr> <tr><td>Deck-to-Install</td><td>2</td></tr> <tr><td>Mounting Kit</td><td>3</td></tr> <tr><td>Cables</td><td>4</td></tr> <tr><td>Deck</td><td>5</td></tr> <tr><td>Optional Parts</td><td>6</td></tr> </table> </p> <p><small>AMERICAN STANDARD</small> 1201 1/2" Brass Deck Plate, Standard Quality, unless otherwise stated. All other parts are standard quality unless otherwise specified. For more information, contact your distributor or American Standard. American Standard is a registered trademark of American Standard, Inc. Model No. 7059.105, 7059.115, 7057.105, 7057.115 © 2005 American Standard, Inc. All rights reserved. Printed in the U.S.A. Model No. 7059.105, 7059.115, 7057.105, 7057.115 Printed in the U.S.A. Model No. 7059.105, 7059.115, 7057.105, 7057.115 Printed in the U.S.A.</p> | Electronics | 1 | Deck-to-Install | 2 | Mounting Kit | 3 | Cables | 4 | Deck | 5 | Optional Parts | 6 | <p>PRODUCT No.s 7059.205 7059.215 7057.205 7057.215</p> <p>DO NOT REMOVE PROTECTIVE FILM FROM SENSOR EYE UNTIL INSTALLATION IS COMPLETE.</p> <p>11 5 4 3 9 10 2</p> <p>Installation Instructions SELECTRONIC® Hand-Wired, AC Powered Proximity Integrated Faucet with Above-Deck Mixing 1. Installation of faucet 2. Installation of aerator 3. Installation of power supply 4. Installation of cables 5. Installation of deck plate 6. Installation of mixing valve 7. Installation of hose adapter 8. Installation of vandal resistant aerator 9. Installation of mounting kit 10. Installation of Y-connector 11. Installation of power supply</p> <p><small>Product No.'s & Options</small> <table border="0"> <tr><td>Electronics</td><td>1</td></tr> <tr><td>Deck-to-Install</td><td>2</td></tr> <tr><td>Mounting Kit</td><td>3</td></tr> <tr><td>Cables</td><td>4</td></tr> <tr><td>Deck</td><td>5</td></tr> <tr><td>Optional Parts</td><td>6</td></tr> </table> </p> <p><small>AMERICAN STANDARD</small> 1201 1/2" Brass Deck Plate, Standard Quality, unless otherwise stated. All other parts are standard quality unless otherwise specified. For more information, contact your distributor or American Standard. American Standard is a registered trademark of American Standard, Inc. Model No. 7059.205, 7059.215, 7057.205, 7057.215 © 2005 American Standard, Inc. All rights reserved. Printed in the U.S.A. Model No. 7059.205, 7059.215, 7057.205, 7057.215 Printed in the U.S.A.</p> | Electronics | 1 | Deck-to-Install | 2 | Mounting Kit | 3 | Cables | 4 | Deck | 5 | Optional Parts | 6 |
| | Electronics | 1 | | | | | | | | | | | | | | | | | | | | | | | | |
| Deck-to-Install | 2 | | | | | | | | | | | | | | | | | | | | | | | | | |
| Mounting Kit | 3 | | | | | | | | | | | | | | | | | | | | | | | | | |
| Cables | 4 | | | | | | | | | | | | | | | | | | | | | | | | | |
| Deck | 5 | | | | | | | | | | | | | | | | | | | | | | | | | |
| Optional Parts | 6 | | | | | | | | | | | | | | | | | | | | | | | | | |
| Electronics | 1 | | | | | | | | | | | | | | | | | | | | | | | | | |
| Deck-to-Install | 2 | | | | | | | | | | | | | | | | | | | | | | | | | |
| Mounting Kit | 3 | | | | | | | | | | | | | | | | | | | | | | | | | |
| Cables | 4 | | | | | | | | | | | | | | | | | | | | | | | | | |
| Deck | 5 | | | | | | | | | | | | | | | | | | | | | | | | | |
| Optional Parts | 6 | | | | | | | | | | | | | | | | | | | | | | | | | |
| Deck Plate | <p>705P400</p> <p>6</p> | <p>705P400</p> <p>6</p> | | | | | | | | | | | | | | | | | | | | | | | | |
| Mixing Valve | <p>605XTMV</p> <p>7</p> | | | | | | | | | | | | | | | | | | | | | | | | | |

Fig. 1**Roughing-in Dimensions****GENERAL DESCRIPTION:**

Electronic faucet with proximity operation. Vandal resistant solid brass construction single post mounting. Operates on AC permanent power. Inlets 3/8" compression, built-in checks, flexible stainless steel 18" reach inlet hoses for spout connection and In-line integral strainer for solenoid.

TOOLS REQUIRED; Fig. 2

- | | |
|-------------------------------|------------------------|
| 1 Hex Wrench (Included) | 4 Phillips Screwdriver |
| 2 Adjustable Wrench | 5 Tape Measure |
| 3 Plumbers' Putty or Caulking | |

Fig. 2**INSTALLATION****1 CONNECT POWER SUPPLY; Fig. 1**

1. Contractor to supply **ELECTRICAL BOX (1)**. Mount **POWER SUPPLY (2)** into **ELECTRICAL BOX (1)**. Connect White and Black power connections to **POWER SUPPLY (3)**. **Fig. 4a**.

2 INSTALL SPOUT ASSEMBLY; Fig. 2

CAUTION Turn off hot and cold water supplies before beginning

1. Make sure **O-RING SEAL (9)** is installed.
2. Installation with **ESCUTCHEON (1)** (optional). Apply a bead of putty to bottom edge of **ESCUTCHEON** with **PUTTY PLATE (1)**. (**Only if mounting surface is uneven**).
3. Insert supply **HOSES (2)**, **SHANK (3)** and **POWER CORD (10)** (if equipped) through hole in **ESCUTCHEON** with **PUTTY PLATE (1)** and mounting surface. Follow mounting instructions below to secure faucet to mounting surface. (**Make sure PIN (7) is in back**).
4. Installation less **ESCUTCHEON (1)**. **IMPORTANT: Do not use putty when installing faucet without escutcheon.**
5. Assemble **RUBBER WASHER (4)**, **BRASS WASHER (5)** and **THREADED LOCKNUT (6)** onto **SHANK (3)** from underside of sink or mounting surface. Hand tighten **LOCKNUT (6)**.
6. Use a screwdriver to tighten **SCREWS (8)** on **LOCKNUT (6)**. Work your way around **LOCKNUT (6)**, tightening the screws slightly each time until all are snug to ensure even pressure.
7. Connect the **SUPPLY CABLE (12)** to the **Y-CONNECTOR (13)**. Connect the **SENSOR CABLE (11)** to the **Y-CONNECTOR (13)**. **FIG. 2a**.

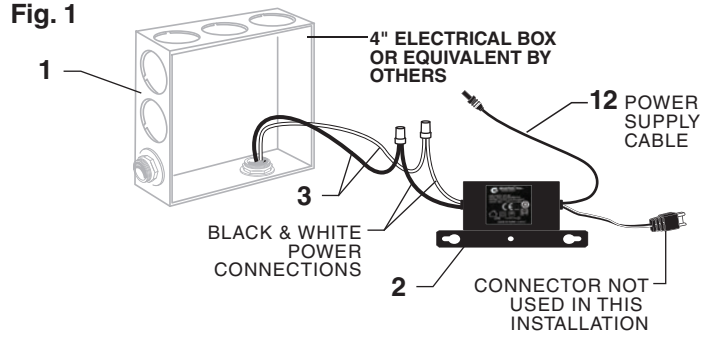
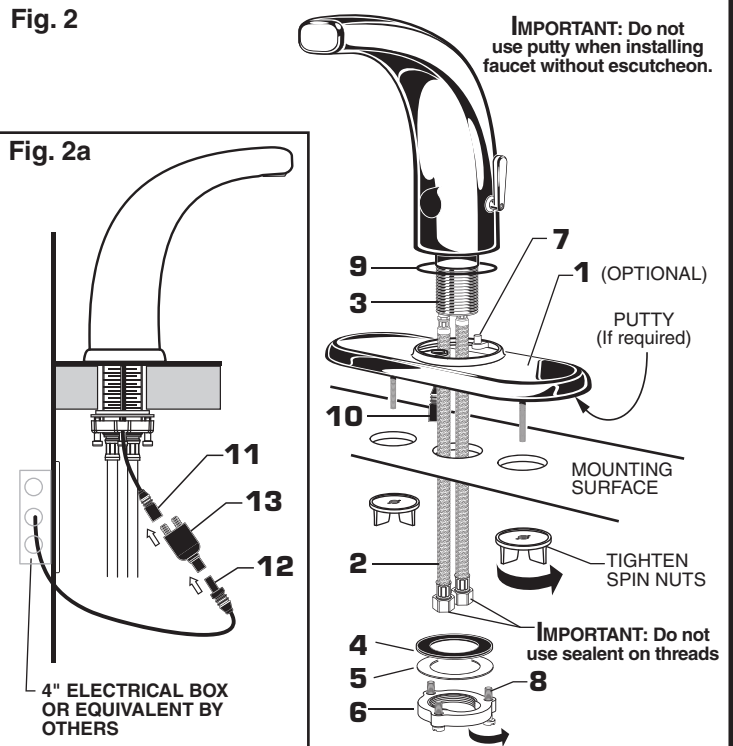
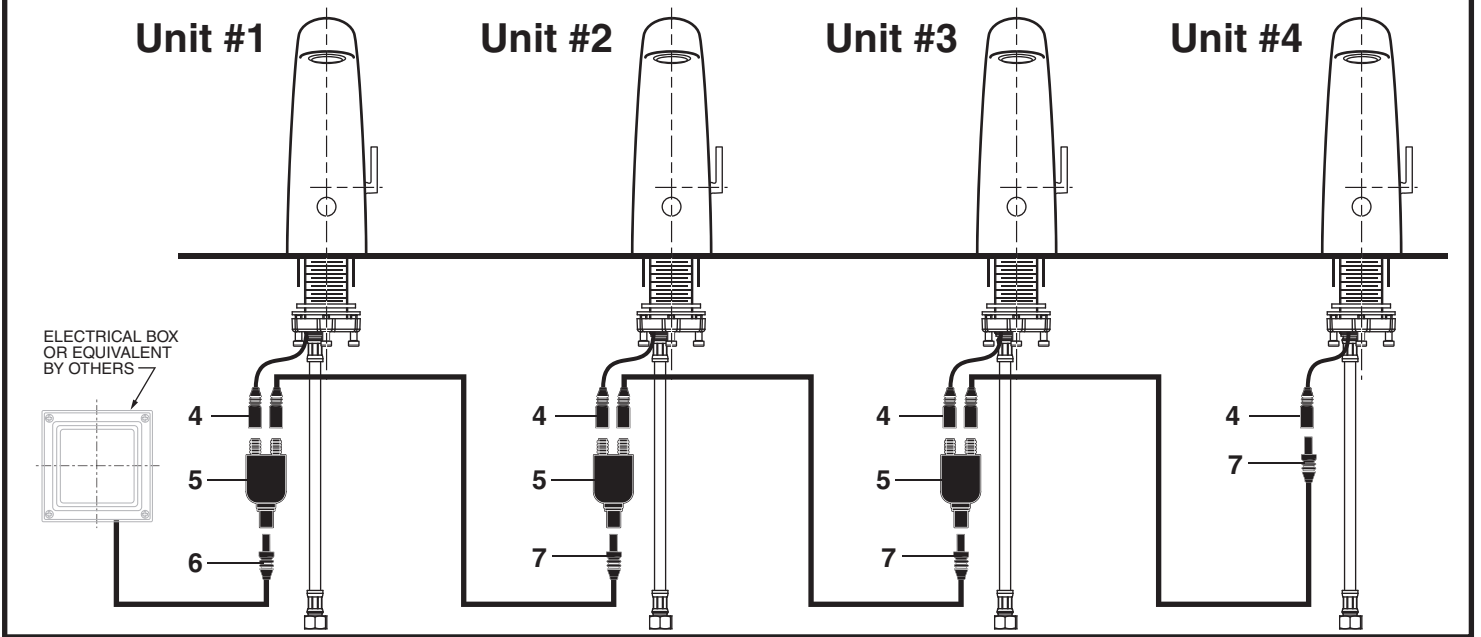
Fig. 1**Fig. 2****Fig. 2a**

Fig. 3



3 FOR AC-VERSION (MULTI HOOK-UP); Fig. 3, 3a

1. Contractor to supply **ELECTRICAL BOX (1)**. Mount **POWER SUPPLY (2)** into **ELECTRICAL BOX (1)**. Connect White and Black power connections to **POWER SUPPLY (3)**. **Fig. 3, 3a.**
2. Connect the **SENSOR CABLE (4)** to the **SPLITTER (5)**. **FIG. 3b.**
3. Connect the **POWER CABLE (6)** to the **SPLITTER (5)**. **FIG. 3b.**
3. Connect the 10' **MULTI EXTENSION POWER CABLE (7)** to the top of the **SPLITTER (5)** and to the bottom of the next **SPLITTER** and so on. **FIG. 3, 3b.**

Fig. 3a

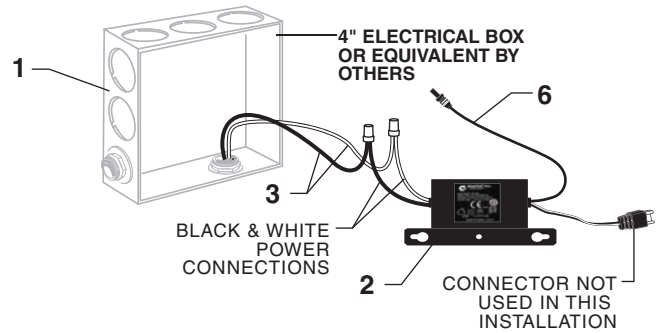
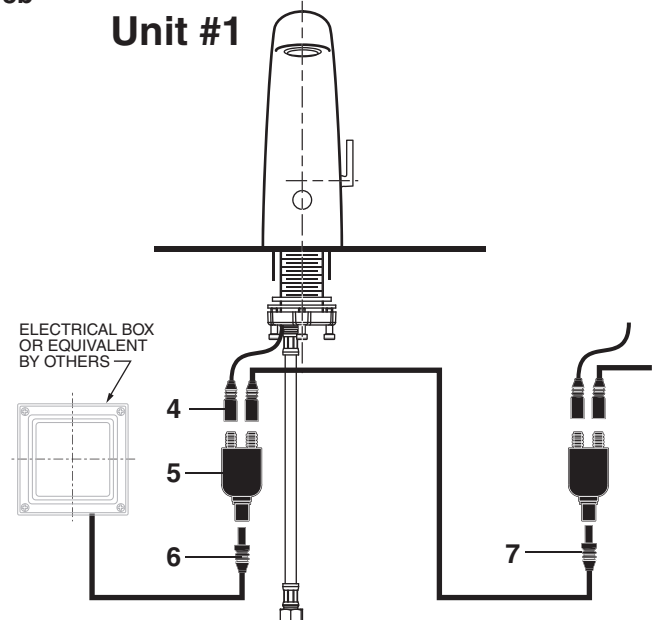


Fig. 3b



4 MAKE WATER SUPPLY CONNECTIONS; Fig. 4

1. Turn off hot and cold water supplies before beginning.
2. Connect HOSE ADAPTERS (3) to wall supplies (if required). Connect FLEXIBLE SUPPLIES (1, 2) directly to HOSE ADAPTERS (3).
3. Connect FLEXIBLE SUPPLIES (1, 2) directly to HOSE ADAPTERS (3). Connect left supply (Marked with a Red Stripe) to Hot and right supply (Marked with Blue Stripe) to Cold supply. Use adjustable wrench to tighten connections. Do not over tighten.
4. Faucet supplies are 18" long from faucet base.

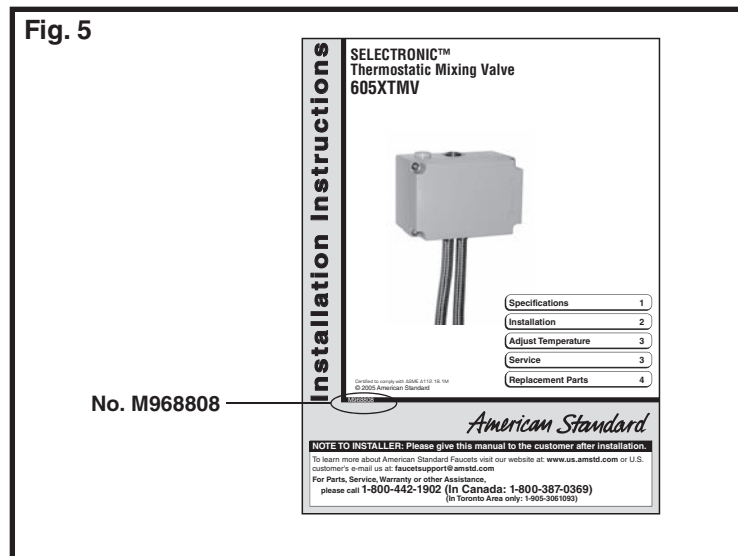
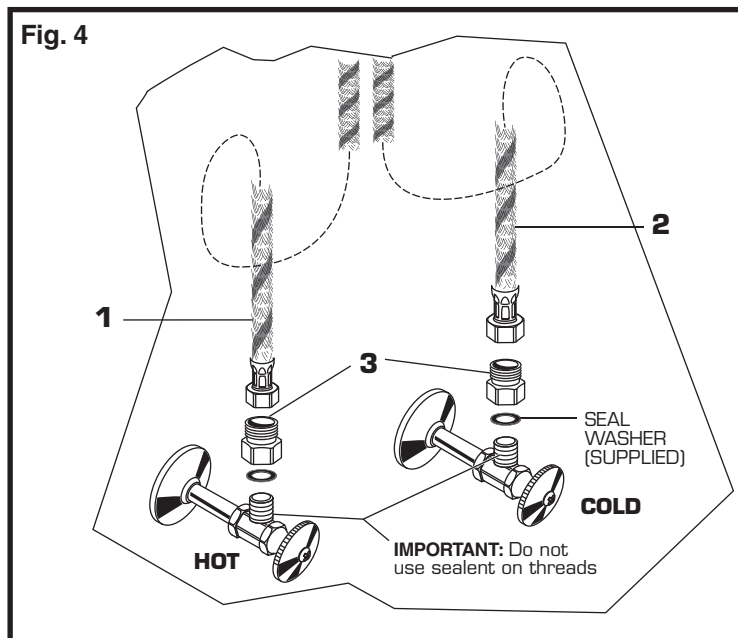
Note; If additional supply length is required, installer must purchase those parts separately.

Important; If SUPPLY HOSES (1, 2) are too long, loop as illustrated to avoid kinking.

5 INSTALL OPTIONAL MIXING VALVE; Fig. 5

For 7059.105 & 7059.115 Faucets.

Note; For complete detailed installation and operating instructions see installations instructions supplied with mixing valve.
No. M968808



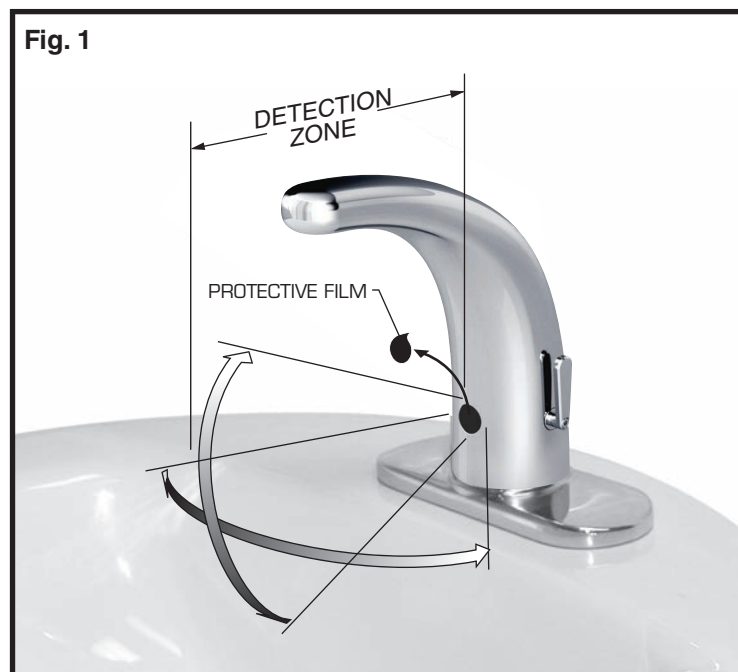
MAINTENANCE

1 HAND WASH SENSOR OPERATION; Fig. 1

REMOVE PROTECTIVE FILM FROM SENSOR EYE WHEN INSTALLATION IS COMPLETE.

When the Sensor detects a user, the water immediately starts to flow. Water flow will stop two seconds after user is out of sensor range. The off delay allows the user to comfortably move his hands without the flow cycling on to off. As a precaution, a safety timer will turn off the water, after the sensor has been blocked for 59 seconds. The water will stay off until the blockage is removed from the detection zone.

Detection Zone: 2" - 10" (50.8mm - 254mm)
Default: Set at Factory 6" (152.4mm)

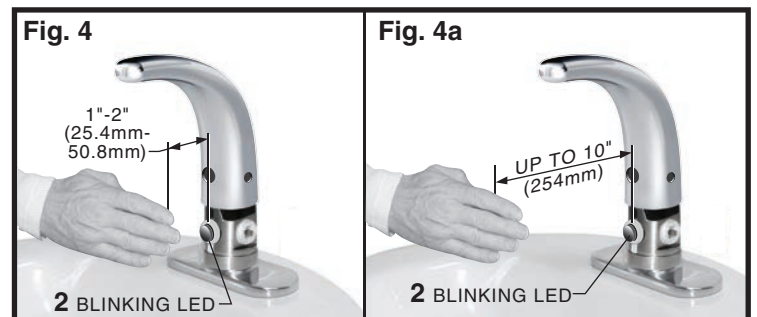
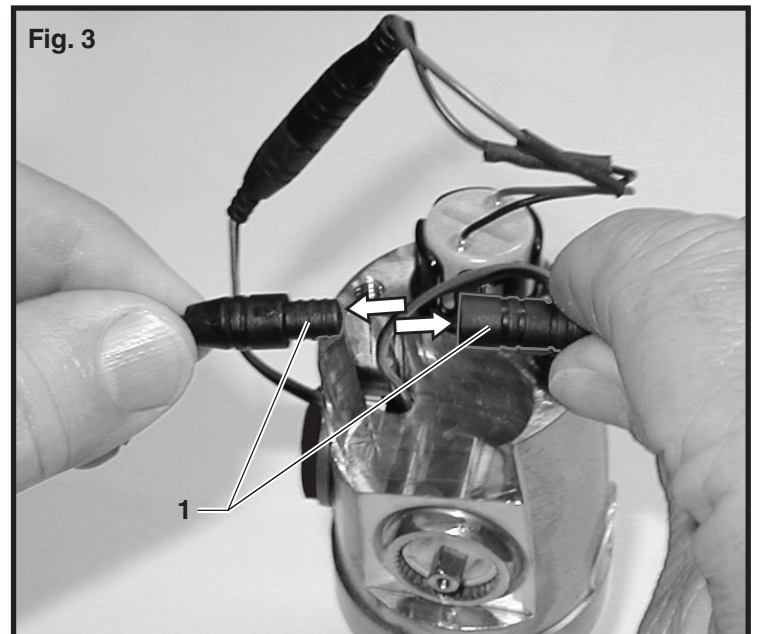
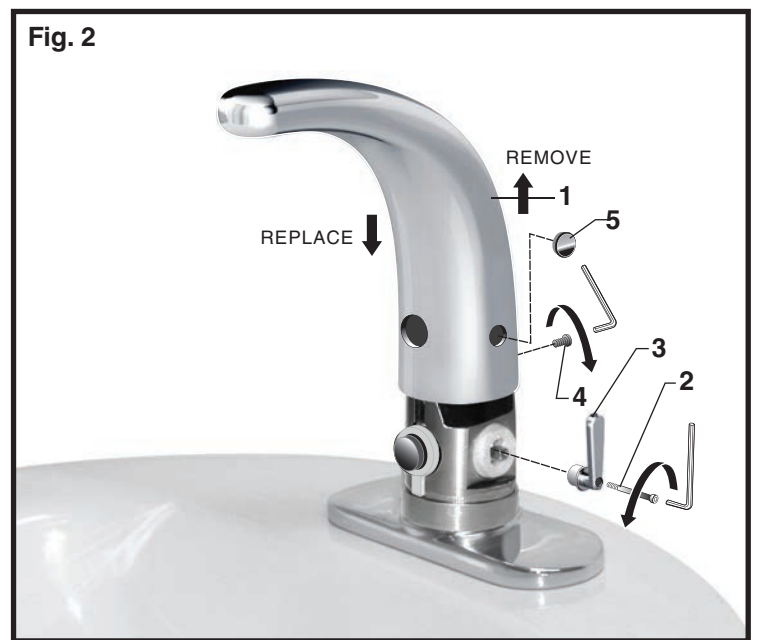


2 HOW TO CHANGE SENSOR RANGE; (Factory set at 6")

Fig. 2, 3, & 4.

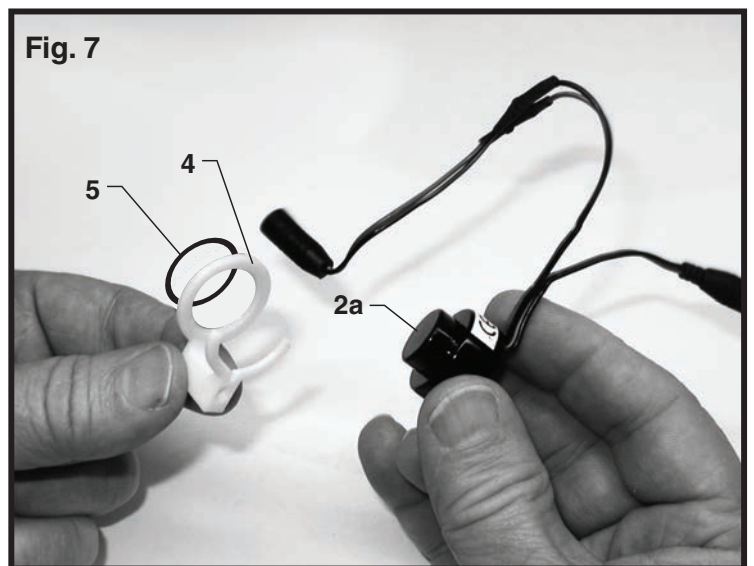
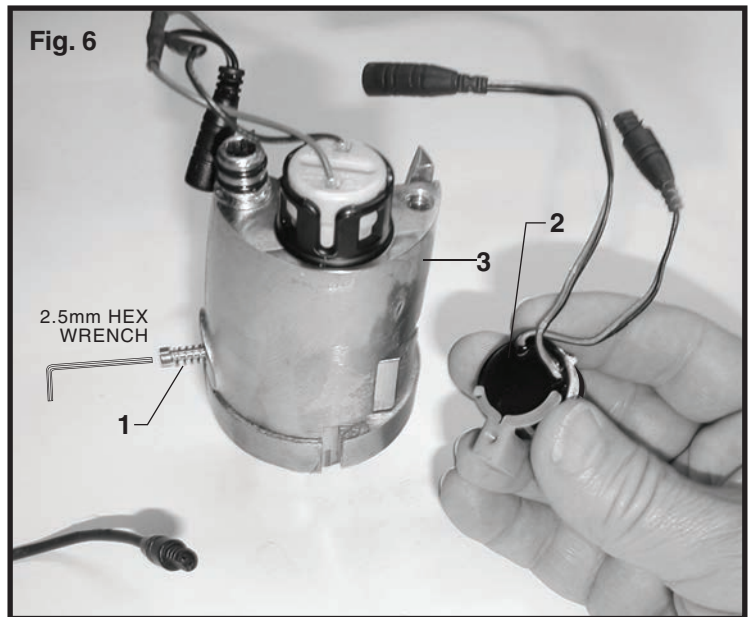
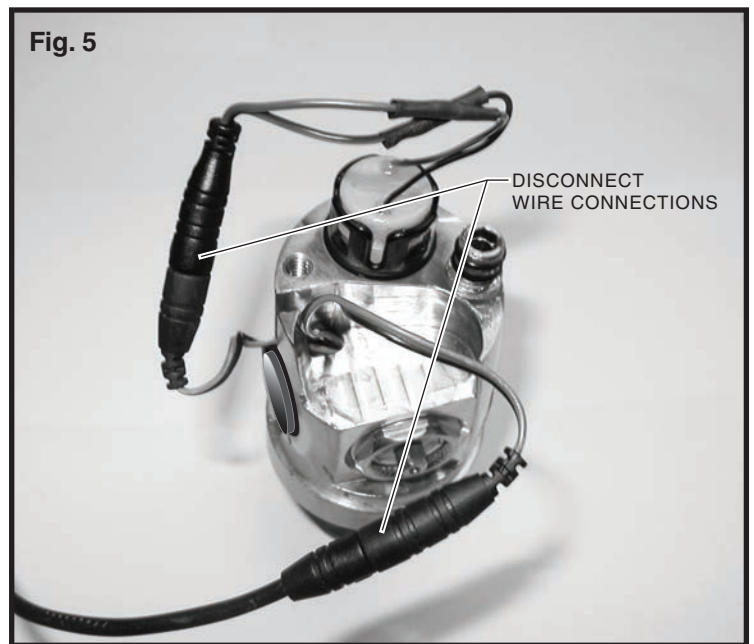
1. Setting the Detection Zone (Distance):
Remove the FAUCET COVER (1) by unthreading the LEVER SCREW (2) and pulling off the LEVER HANDLE (3). Unthread the FAUCET COVER SCREW (4) at the back of the FAUCET. Pull FAUCET COVER (1) up and off. **Fig. 2.**
2. Disconnect the BLACK POWER SUPPLY CONNECTOR (1) and reconnect. **Fig. 3.**
3. While the SENSOR CONTROL LED (2) is blinking slowly, place your hand 1 - 2 in. (25.4-50.8mm) in front of the sensor. **Fig. 4.**
4. When the LED stops blinking and stays "ON", move your hand to the desired position and hold in place until the LED begins to blink again. **Fig. 4a.**
5. Once the SENSOR CONTROL LED (2) begins to blink again, remove your hand from the detection zone. When the flashing stops, the detection distance is set.
6. Replace FAUCET COVER (1) and LEVER HANDLE (3). Install LEVER HANDLE SCREW (2), FAUCET COVER SCREW (4) and tighten. **Fig. 2.**

Note: The LEVER HANDLE (3) can be removed to prevent users from adjusting the water temperature. Replace the LEVER HANDLE (3) with PLUG BUTTON (5) as shown. Fig. 2.



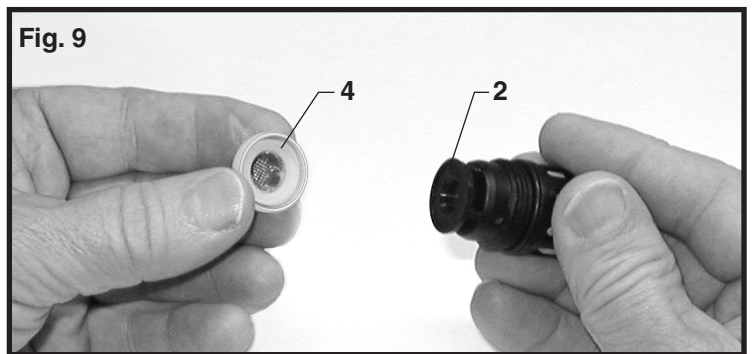
3 HOW TO REPLACE SENSOR; Fig. 5, 6 & 7.

1. Remove the FAUCET COVER (1) by unthreading the LEVER SCREW (2) and pulling off the LEVER HANDLE (3). Unthread the FAUCET COVER SCREW (4) at the back of the FAUCET. Pull FAUCET COVER (1) up and off. See Fig. 2 in this section.
2. Disconnect both WIRE CONNECTIONS. Fig. 5.
3. Untighten SENSOR SCREW (1) with a 2.5mm HEX WRENCH. Remove SENSOR ASSEMBLY (2) from FAUCET BODY (3). Remove O-RING (5). Remove SENSOR (2a) from CARRIER (4) and replace with new SENSOR (2a). Replace O-RING (5). Install SENSOR ASSEMBLY (2) into FAUCET BODY (3). Tighten SENSOR SCREW (1). Fig. 6, 7.
4. Replace FAUCET COVER (1) and LEVER HANDLE (3). Install LEVER HANDLE SCREW (2), FAUCET COVER SCREW (4) and tighten. See Fig. 2 in this section.



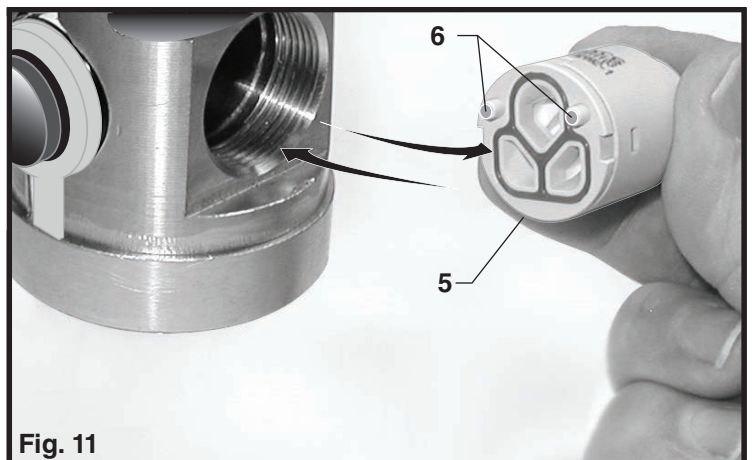
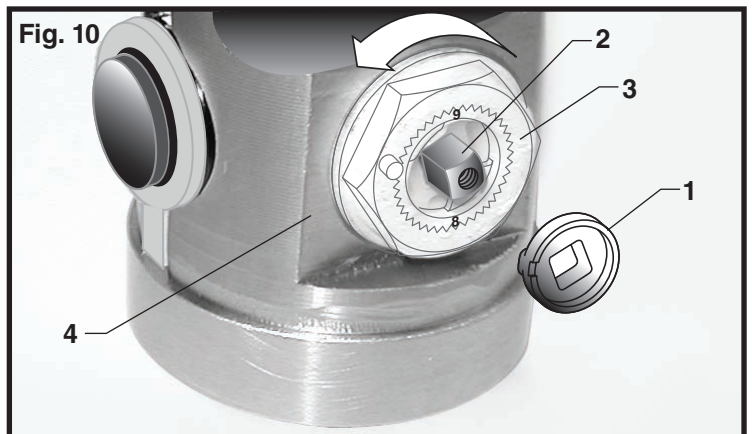
4 HOW TO CLEAN FILTER SCREEN ON SOLENOID VALVE; Fig. 8 & 9

1. Remove the FAUCET COVER (1) by unthreading the LEVER SCREW (2) and pulling off the LEVER HANDLE (3). Unthread the FAUCET COVER SCREW (4) at the back of the FAUCET. Pull FAUCET COVER (1) up and off. See Fig. 2 in this section.
2. Disconnect WIRE CONNECTION (1) to SOLENOID VALVE (2). Fig. 8.
3. Unthread SOLENOID VALVE (2) from VALVE BODY (3). Fig. 9.
4. Remove FILTER SCREEN (4) from base of SOLENOID VALVE (2). Rinse clean and replace. Fig. 9.
5. Thread SOLENOID VALVE (2) into VALVE BODY (3) and hand tighten. Reconnect WIRE CONNECTION (1). Fig. 8.
6. Replace FAUCET COVER (1) and LEVER HANDLE (3). Install LEVER HANDLE SCREW (2), FAUCET COVER SCREW (4) and tighten. See Fig. 2 in this section.



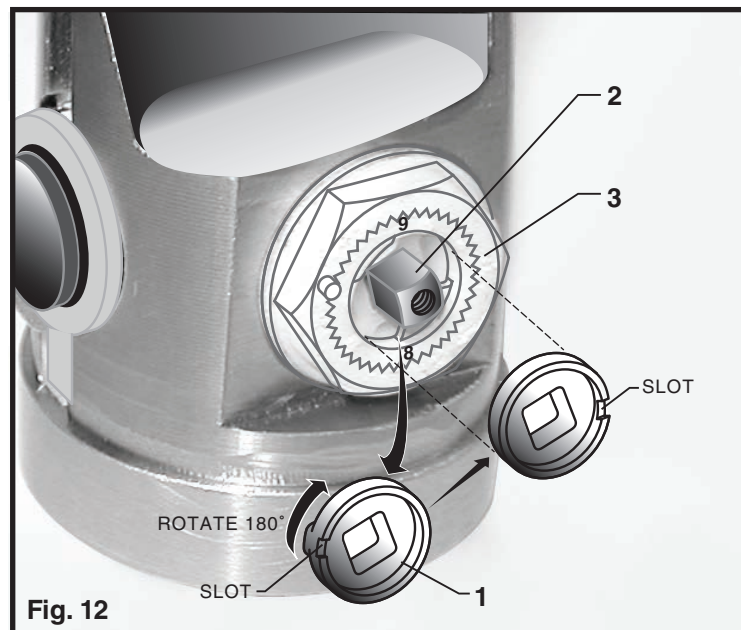
5 HOW TO REPLACE DIVERTER CARTRIDGE; Fig. 10 & 11

1. Remove the FAUCET COVER (1) by unthreading the LEVER SCREW (2) and pulling off the LEVER HANDLE (3). Unthread the FAUCET COVER SCREW (4) at the back of the FAUCET. Pull FAUCET COVER (1) up and off. See Fig. 2 in this section.
2. Pull out LIMITER STOP (1) from the VALVE STEM (2). Unthread COLLAR NUT (3) from VALVE BODY (4). Fig. 10.
3. Pull DIVERTER CARTRIDGE (5) out and replace with new DIVERTER CARTRIDGE (5). NOTE: Make sure the two ALIGNMENT PINS (6) in the base of the DIVERTER CARTRIDGE (5) are facing upward. Fig. 11.
4. Replace FAUCET COVER (1) and LEVER HANDLE (3). Install LEVER HANDLE SCREW (2), FAUCET COVER SCREW (4) and tighten. See Fig. 2 in this section.



6 CHANGE HOT LIMIT SETTING FROM 95% TO 85%; Fig. 12

1. Remove the FAUCET COVER (1) by unthreading the LEVER SCREW (2) and pulling off the LEVER HANDLE (3). Unthread the FAUCET COVER SCREW (4) at the back of the FAUCET. Pull FAUCET COVER (1) up and off. See Fig. 2 in this section.
2. Replace LEVER HANDLE and rotate counter-clockwise to its stop position (100% cold). Remove HANDLE.
3. Pull out LIMITER STOP (1) from the VALVE STEM (2).
4. Rotate LIMITER STOP (1) 180 degrees and insert back onto VALVE STEM (2).
5. Replace FAUCET COVER (1) and LEVER HANDLE (3). Install LEVER HANDLE SCREW (2), FAUCET COVER SCREW (4) and tighten. See Fig. 2 in this section.



7 GENERAL CLEANING; Fig. 13

1. For general cleaning use a damp, soft cloth to clean the spout and the sensor.
2. For cleaning dirt use a soft cloth with diluted dish washing detergent. Wipe the area using a wet cloth and dry using a soft cloth.

CAUTION

Do not scratch the sensor when cleaning.

Avoid using anything that may scratch the spout surface. Never use polishing power, detergent or a nylon scrub brush. They will damage the surface of the spout or Sensor.



FAQ'S

Q: How will I know if battery needs to be replaced?

A: Valve does not open and sensor blinks 2 times interrupted by pause for up to 7 days.

Q: Why has the flow rate of the faucet reduced significantly?

A: Check and clean aerator and strainer.

Q: There is no flow out of faucet when I'm in the sensor range?

A: Check sensor. If sensor blinks 2 times interrupted by pause, replace battery, or call 1 800-442-1902.

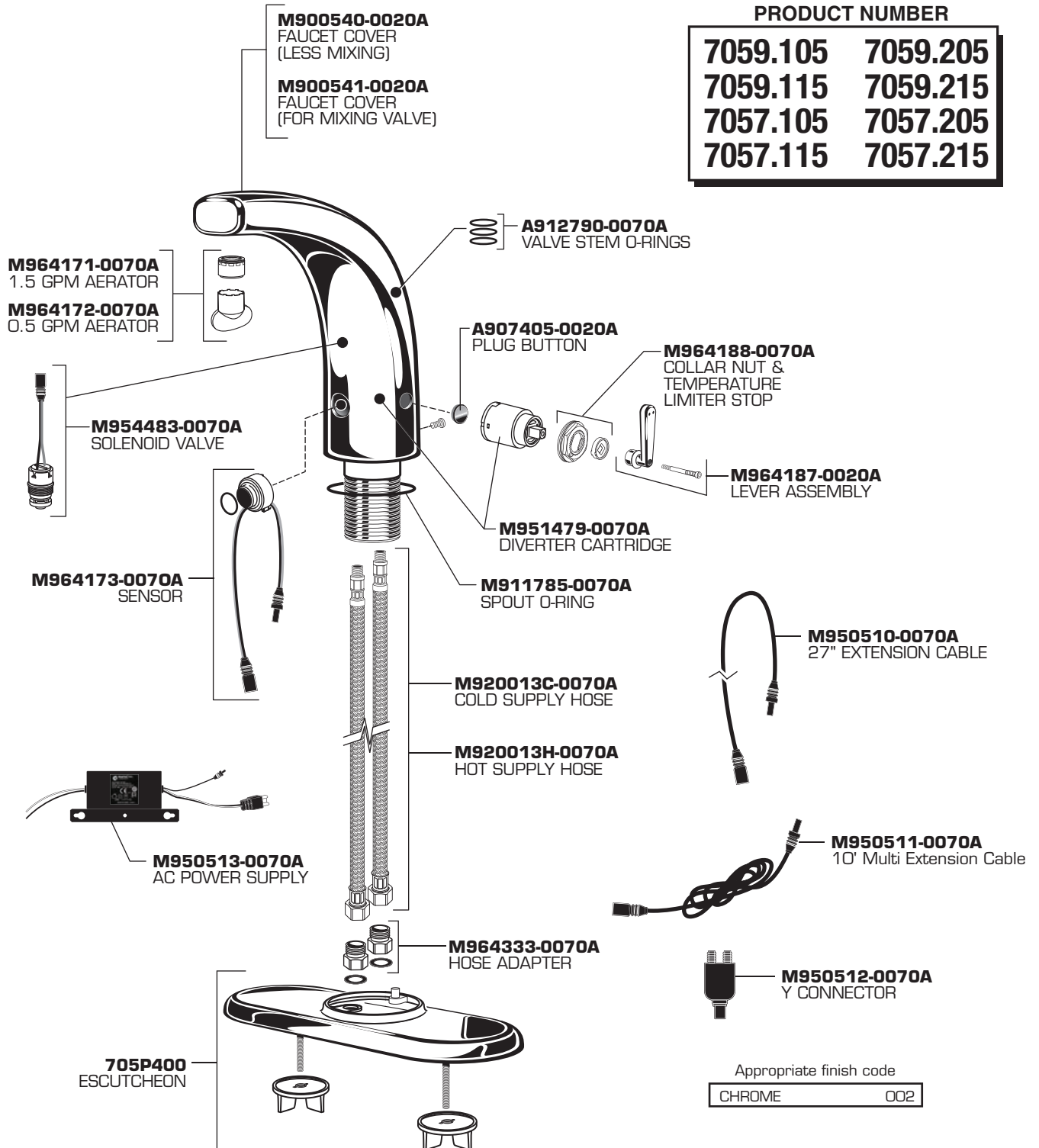
Q: What is the normal operating pressure range?

A: Faucet will operate with supply pressures ranging from 20-80 psi.

SELECTRONIC® Hard-Wired, AC Powered Proximity Integrated Faucet with Above-Deck Mixing

PRODUCT NUMBER

| | |
|-----------------|-----------------|
| 7059.105 | 7059.205 |
| 7059.115 | 7059.215 |
| 7057.105 | 7057.205 |
| 7057.115 | 7057.215 |



HOT LINE FOR HELP
For toll-free information and answers to your questions, call:
1 (800) 442-1902
Weekdays 8:00 a.m. to 8:00 p.m. EST
IN CANADA 1-800-387-0369 (TORONTO 1-905-306-1093)
Weekdays 8:00 a.m. to 7:00 p.m. EST

Product names listed herein are trademarks of American Standard Inc.
© American Standard Inc. 2012