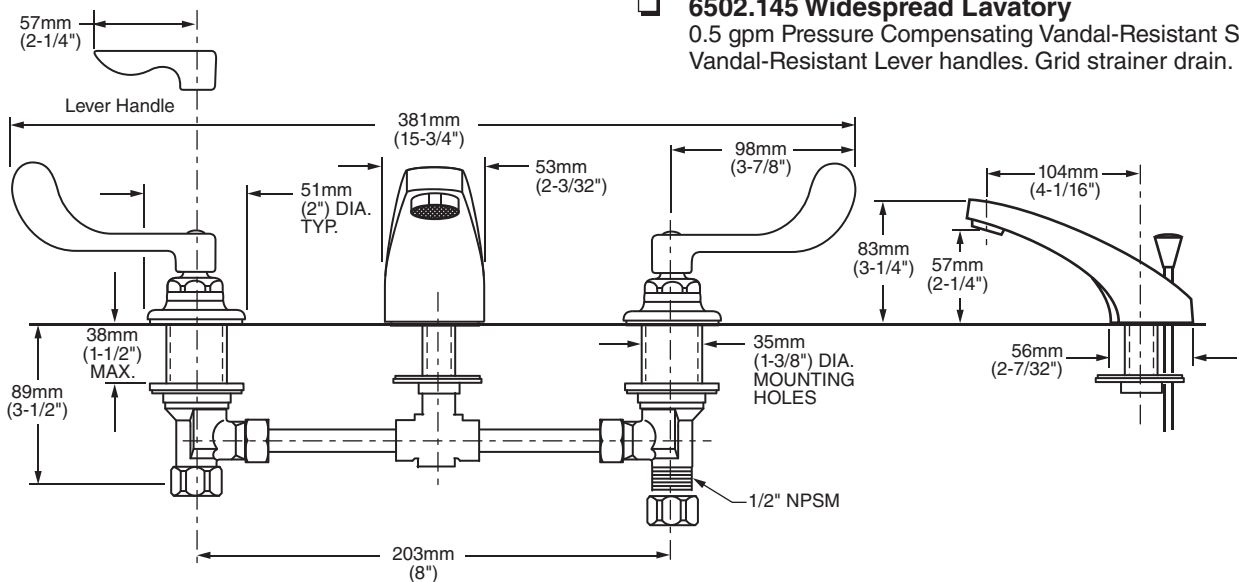




6501.175 Shown

MODEL NUMBER:

- 6500.175 Widespread Lavatory**
0.5 gpm Pressure Compensating Vandal-Resistant Spray. Vandal-Resistant Wrist Blade handles. Less drain and pop-up hole.
- 6501.175 Widespread Lavatory**
0.5 gpm Pressure Compensating Vandal-Resistant Spray. Vandal-Resistant Wrist Blade handles. Pop-up drain.
- 6502.175 Widespread Lavatory**
0.5 gpm Pressure Compensating Vandal-Resistant Spray. Vandal-Resistant Wrist Blade handles. Grid strainer drain.
- 6500.145 Widespread Lavatory**
0.5 gpm Pressure Compensating Vandal-Resistant Spray. Vandal-Resistant Lever handles. Less drain and pop-up hole.
- 6501.145 Widespread Lavatory**
0.5 gpm Pressure Compensating Vandal-Resistant Spray. Vandal-Resistant Lever handles. Pop-up drain.
- 6502.145 Widespread Lavatory**
0.5 gpm Pressure Compensating Vandal-Resistant Spray. Vandal-Resistant Lever handles. Grid strainer drain.



GENERAL DESCRIPTION:

Durable cast brass construction throughout. Cast brass valve bodies with 8" rigid copper connection with compression fittings. 1/2" male threaded inlet shanks with brass coupling nuts. 1/4 turn ceramic disc valve cartridges. Choice of Vandal-Resistant Wrist Blade or Lever handles with blue & red color indexes. All brass drain bodies with 1-1/4" (32mm) tailpieces (on applicable models). 0.5 gpm/1.9L/min. maximum flow rate.

PRODUCT FEATURES:

- Pressure Compensating Spray:** Provides a constant water flow of 0.5 gpm throughout the pressure range
- Solid Brass Construction:** Durable - Excellent in high use applications. Ideal for prolonged contact with water.
- Ceramic Disc Valve Cartridges:** Assures a lifetime of drip-free performance.
- Lead Free:** Faucet contains $\leq 0.25\%$ total lead content by weighted average.

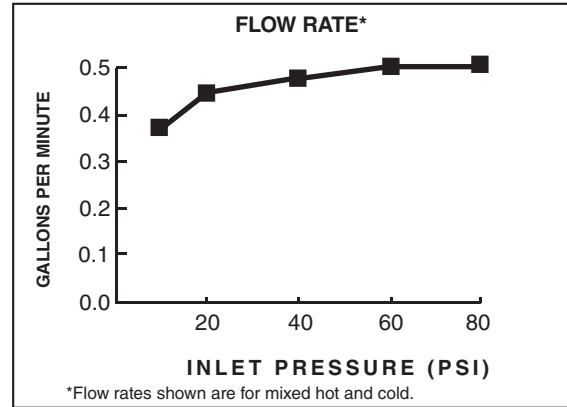
SUGGESTED SPECIFICATION:

Two handle widespread lavatory faucet shall feature cast brass valve bodies with 8" rigid copper connection. Shall feature water-conserving vandal-resistant 0.5 gpm/1.9L/min. pressure compensating spray. Vandal-Resistant handles. Shall also feature 1/4 turn washerless ceramic disc valve cartridges. Fitting shall be American Standard Model # 650_1_5.002.

CODES AND STANDARDS

These products meet or exceed the following codes and standards:

- ANSI A117.1**
- ASME A112.18.1**
- CSA B 125**
- NSF 61/Section 9 and Annex G**



Product Number	Description	Finish
		Polished Chrome
		002
6500.175	Widespread Lavatory. 0.5 gpm/1.9L/min pressure compensating vandal-resistant spray. Vandal-Resistant Wrist Blade Handles. Less drain and pop-up hole.	
6501.175	Widespread Lavatory. 0.5 gpm/1.9L/min pressure compensating vandal-resistant spray. Vandal-Resistant Wrist Blade Handles. Pop-up drain.	
6502.175	Widespread Lavatory. 0.5 gpm/1.9L/min pressure compensating vandal-resistant spray. Vandal-Resistant Wrist Blade Handles. Grid strainer drain.	
6500.145	Widespread Lavatory. 0.5 gpm/1.9L/min pressure compensating vandal-resistant spray. Vandal-Resistant Lever Handles. Less drain and pop-up hole.	
6501.145	Widespread Lavatory. 0.5 gpm/1.9L/min pressure compensating vandal-resistant spray. Vandal-Resistant Lever Handles. Pop-up drain.	
6502.145	Widespread Lavatory. 0.5 gpm/1.9L/min pressure compensating vandal-resistant spray. Vandal-Resistant Lever Handles. Grid strainer drain.	

 MEETS THE AMERICANS WITH DISABILITIES ACT GUIDELINES AND ANSI A117.1 REQUIREMENTS FOR ACCESSIBLE AND USABLE BUILDING FACILITIES-CHECK LOCAL CODES