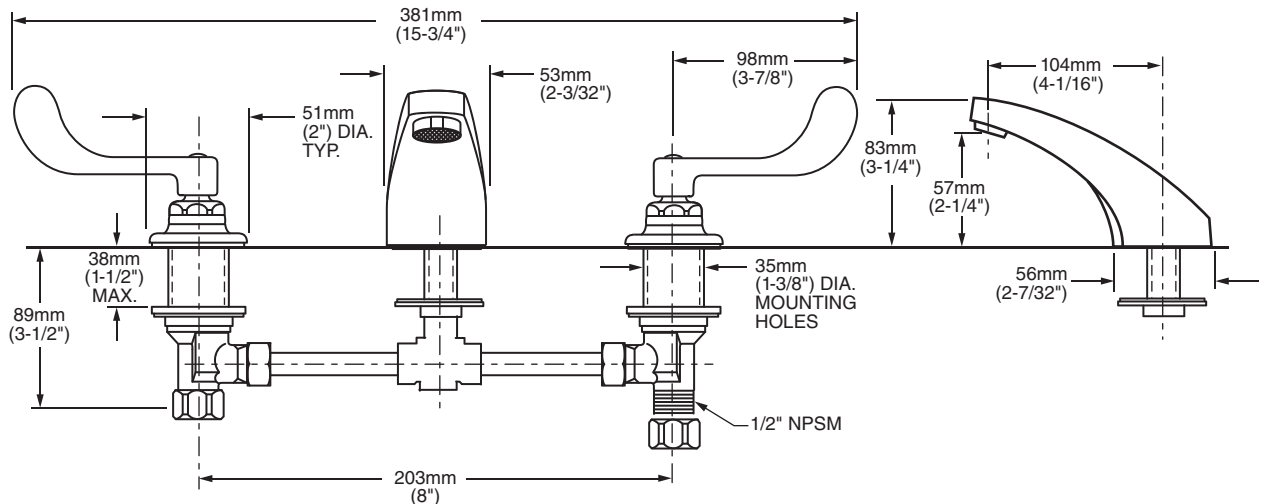


**MONTERREY™ 0.35 GPM  
TWO-HANDLE 8" WIDESPREAD LAVATORY FAUCET  
WITH CONVENTIONAL SPOUT**



**MODEL NUMBER:**

- ❑ **6500.174 Widespread Lavatory**  
0.35 gpm Pressure Compensating, Vandal-Resistant Non-Aerated Spray. Vandal-Resistant Wrist Blade handles. Less drain and pop-up hole.



**GENERAL DESCRIPTION:**

Durable cast brass construction throughout. Cast brass valve bodies with 8" rigid copper connection with compression fittings. 1/2" male threaded inlet shanks with brass coupling nuts. 1/4 turn ceramic disc valve cartridges. Vandal-Resistant Wrist Blade handles with blue & red color indexes. 0.35 gpm/1.3L/min. maximum flow rate.

**PRODUCT FEATURES:**

- Meets CALGreen:** 0.35 gpm/1.3 L/min. flow rate
- Pressure Compensating Spray:** Provides a constant water flow of 0.35 gpm throughout the pressure range
- Solid Brass Construction:** Durable - Excellent in high use applications. Ideal for prolonged contact with water.
- Ceramic Disc Valve Cartridges:** Assures a lifetime of drip-free performance.
- Lead Free:** Faucet contains  $\leq 0.25\%$  total lead content by weighted average.

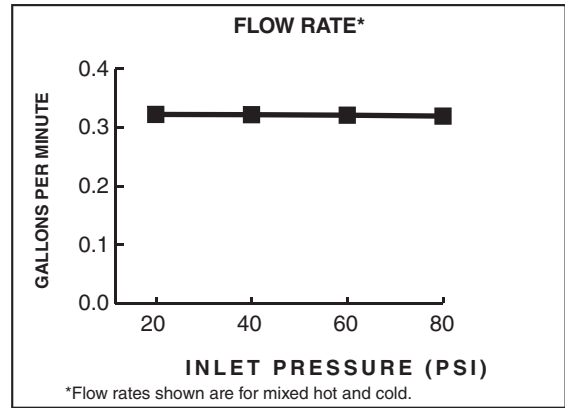
**SUGGESTED SPECIFICATION:**

Two handle widespread lavatory faucet shall feature cast brass valve bodies with 8" rigid copper connection. Shall feature water-conserving pressure compensating, vandal-resistant 0.35 gpm/1.3L/min. non-aerated spray. Vandal-Resistant Wrist Blade handles. Shall also feature 1/4 turn washerless ceramic disc valve cartridges. Fitting shall be American Standard Model # 6500.174.002.

**CODES AND STANDARDS**

These products meet or exceed the following codes and standards:

- ANSI A117.1**
- ASME A112.18.1**
- CSA B 125**
- NSF 61/Section 9 and Annex G**
- CALGreen**



Product Number	Description	Finish
		Polished Chrome
6500.174	Widespread Lavatory. 0.35 gpm/1.3L/min. pressure compensating vandal-resistant non-aerated spray. Vandal-Resistant Wrist Blade Handles. Less drain and pop-up hole.	002

 MEETS THE AMERICANS WITH DISABILITIES ACT GUIDELINES AND ANSI A117.1 REQUIREMENTS FOR ACCESSIBLE AND USABLE BUILDING FACILITIES-CHECK LOCAL CODES