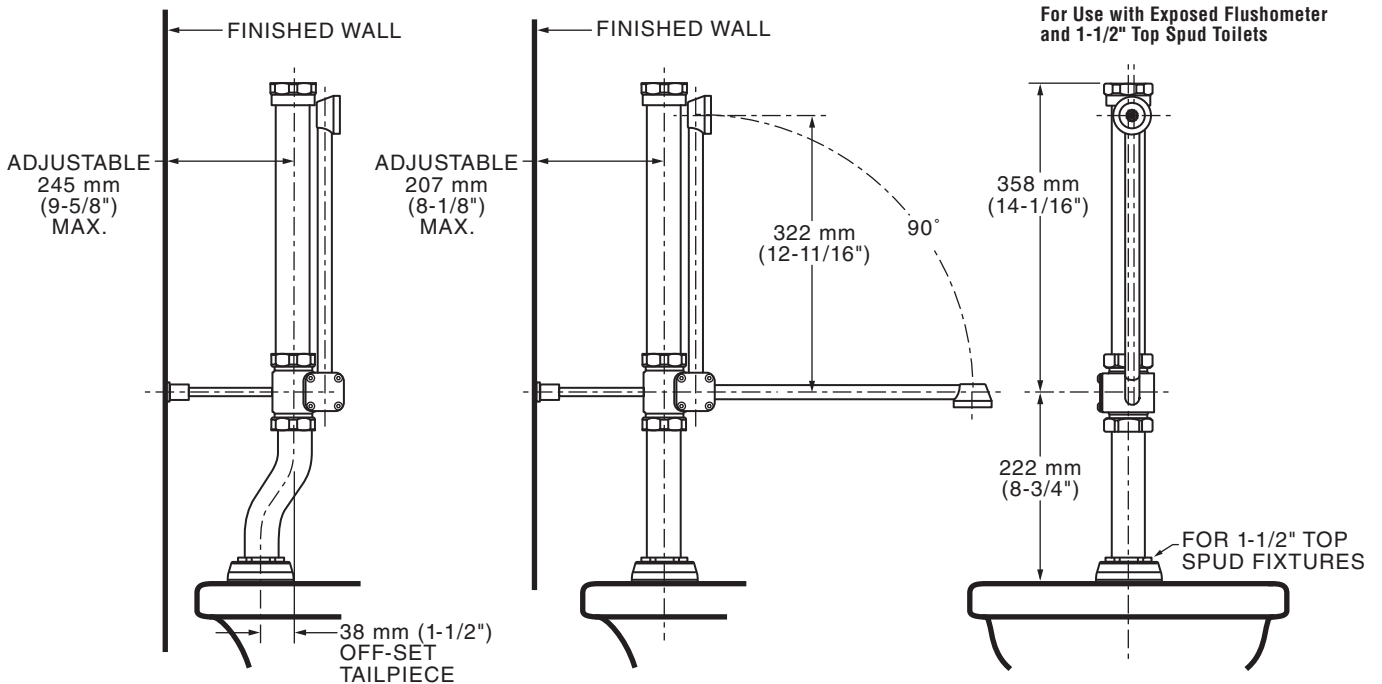


MODEL NUMBER:

- ❑ **6047.800.002 Bedpan Washer Diverter Assembly**
 For use with Manual flush valves on 1-1/2" top spud flushometer bowl. Straight down tube.
- ❑ **6047.815.002 Bedpan Washer Diverter Assembly**
 For use with Manual flush valves on 1-1/2" top spud flushometer bowl. Offset flush tube to allow for installation with grab bar installed above the toilet.



GENERAL DESCRIPTION:

Bedpan diverter assembly for use with Manual flush valves. New or retrofit installations. Rugged solid brass construction. Counter balanced pivot assembly. Includes wall support, spud coupling & flange.

PRODUCT FEATURES:

- For installation with Manual flush valves on top spud flushometer bowls and clinic sinks
- Operates at 1.1, 1.28, 1.6 and 6.5 gpf.
- Solid brass construction
- Counter balanced pivot assembly keeps spray arm in last position
- Brass spray arm
- Includes EPDM vacuum breaker assembly for chemical resistance
- Includes 1-1/2" spud coupling and flange and wall support
- **Diverter assembly only. Does not include flushometer valve.**