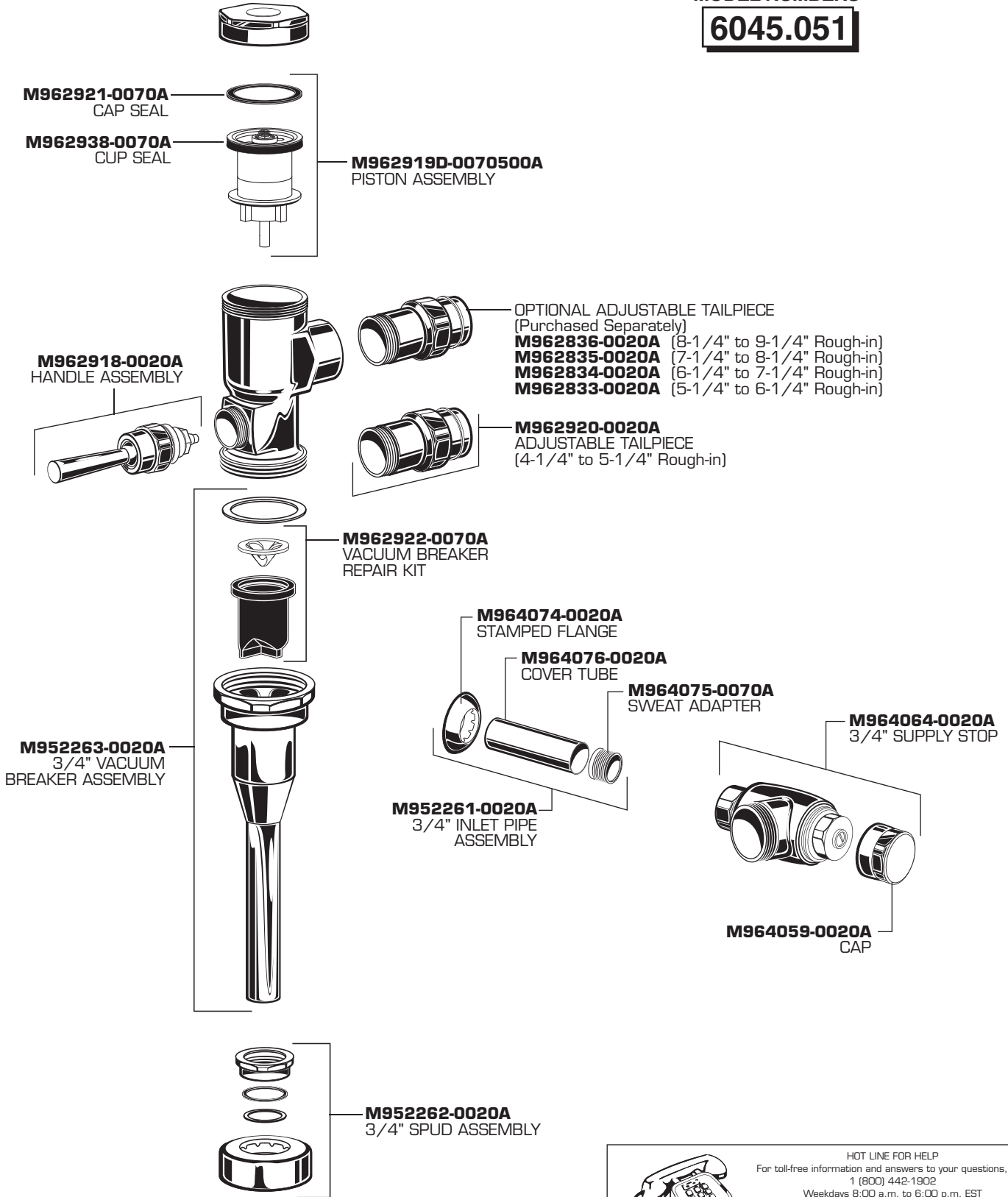



MANUAL FLUSH VALVE, 0.5 GPF

Exposed Flushometer
for Top Spud Urinals

MODEL NUMBERS

6045.051



 **HOT LINE FOR HELP**
For toll-free information and answers to your questions, call:
1 (800) 442-1902
Weekdays 8:00 a.m. to 6:00 p.m. EST
IN MEXICO 01-800-839-1200
IN CANADA 1-800-387-0369 (TORONTO 1-905-306-1093)
Weekdays 8:00 a.m. to 7:00 p.m. EST
Product names listed herein are trademarks of AS America, Inc.
© AS America, Inc. 2012