

**MADERA™ FloWise® 15" HEIGHT 1.6/1.1 GPF  
DUAL FLUSH TOILET SYSTEM LESS EVERCLEAN®**

- ❑ **2234.576** 15" Height Top Spud Bowl and Selectronic® Flush Valve

**BOWL:**

- Floor mount elongated flushometer valve toilet
- Vitreous china
- Conventional glaze
- High Efficiency, Low Consumption. Operates in the range of 1.1 gpf to 1.6 gpf (4.2 Lpf to 6.0 Lpf)
- Meets definition of HET (High Efficiency Toilet) when used with a high efficiency flush valve (1.28 gpf or 1.6 / 1.1 gpf Dual Flush)
- 10" or 12" rough-in
- Direct-fed siphon jet action
- Fully glazed 2-1/8" trapway
- 10" x 12" water surface area
- 1-1/2" inlet spud
- 100% factory flush tested
- Less toilet seat
- Model 2234.001

**SELECTRONIC® FLUSH VALVE:**

- Light flush (1.1 gpf) if user is in detection zone for 60 seconds or less
- Standard flush (1.6 gpf) if user is in detection zone for more than 60 seconds
- Electronic flush valve with Selectronic proximity system for "Hands Free" operation
- Self-Cleaning Piston operation with integral wiper spring prevents clogging and reduces maintenance
- Fully Mechanical Manual Override Button can flush toilet during a power outage
- Valve remains closed and does not need to be reset after loss of power or water pressure
- Chemical resistant EPDM seals are unaffected by chloramines and ammonia
- Range can be adjusted manually or with optional remote control
- Sensor & electronic controls are fully enclosed and water resistant
- Factory-installed CR-P2 lithium battery included
- Battery life up to 4 years / approx. 200,000 cycles
- Adjustable tailpiece for rough-in flexibility
- Can be installed left or right hand
- Model 6065.761.002

**Includes:**

- 047007-0070A Inlet Spud (furnished with bowl)
- 481310-100 Bolt caps with retainers (furnished with bowl)
- Inlet includes 1" I.P.S. angle stop with back-flow protection, and vandal-resistant cap, sweat solder kit, cover tube and wall flange
- Outlet includes 1-1/2" vacuum breaker with adjustable tailpiece, spud coupling & flange

**To Be Specified:**

- ❑ Color: ❑ White
- ❑ Seat:
  - ❑ American Standard #5901.100 Heavy duty open front less cover
  - ❑ American Standard #5905.100 Extra heavy duty open front less cover



SEE REVERSE FOR ROUGHING-IN DIMENSIONS

**System MaP\* Score:**

- 1,000 grams of miso @ 1.6 gpf
- 800 grams of miso @ 1.1 gpf

\* Maximum Performance (MaP) testing performed by IAPMO R&T Lab. MaP Report conducted by Veritec Consulting, Inc. and Koeller and Company.

**Operating Pressure:**

Overall Range: 20-125 psi\*\*

Recommended: 25 psi (flowing)-80 psi (static)

\*\* Water pressure over 80 psi is not

recommended for most plumbing fixtures.

**Flow Requirement:**

25gpm (94.6 L/min.)

**Nominal Fixture Dimensions:**

718 x 356 x 381mm (28-1/4" x 14" x 15")

**Fixture Compliance Certifications - Meets or Exceeds the Following Specifications:**

- ASME A112.19.2-2008 / CSA B45.1-08 for Vitreous China Fixtures

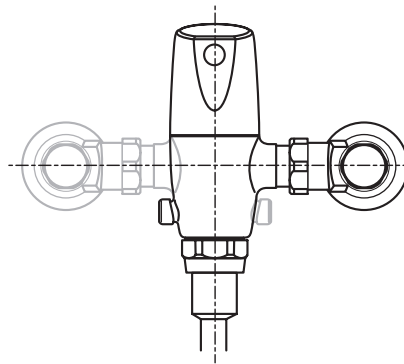
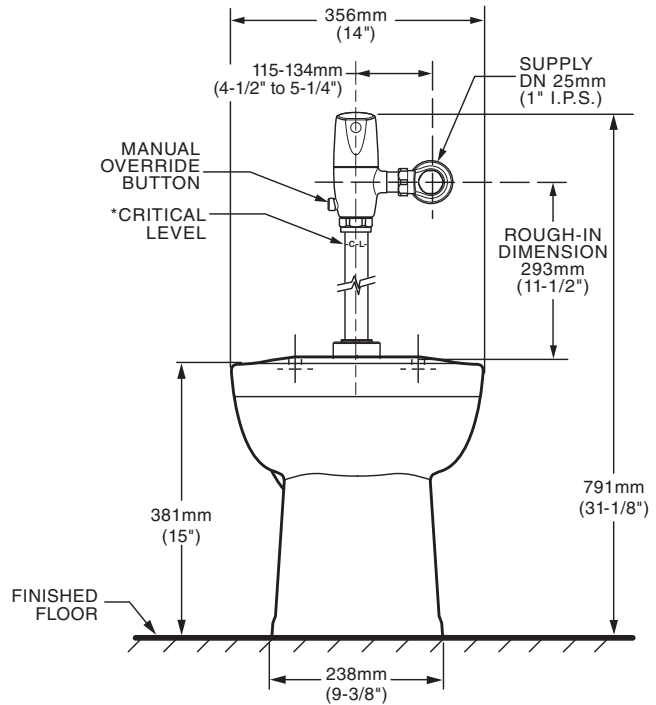
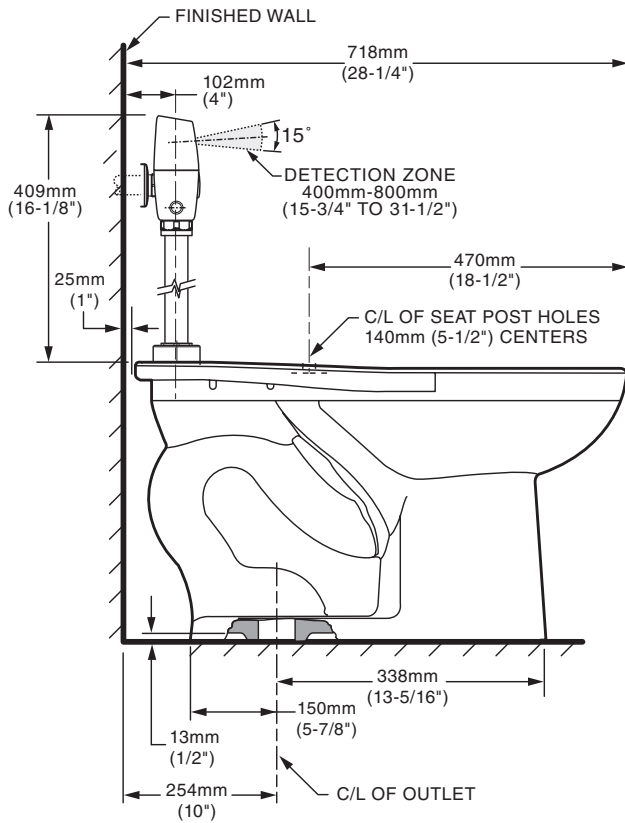
**Valve Listings:**

- ASSE 1037
- ANSI/ASME A112.19.2
- ADA Compliant



**MADERA™ FloWise® 15" HEIGHT 1.6/1.1 GPF  
DUAL FLUSH TOILET SYSTEM**

**LESS EVERCLEAN®  
SELECTRONIC® FLUSH VALVE**



VALVE LEFT or RIGHT HAND INSTALLATION

\*Note: The Critical Line (-C-L-) on Vacuum Breaker must typically be a minimum of 6" (152mm) above fixture. Consult Codes for details.

**NOTES:**  
TO COMPLY WITH AREA CODE GOVERNING THE HEIGHT OF VACUUM BREAKER ON THE FLUSHOMETER VALVE, THE PLUMBER MUST VERIFY DIMENSIONS SHOWN FOR SUPPLY ROUGHING. THIS TOILET DESIGNED TO ROUGH-IN AT A MINIMUM DIMENSION OF 254MM (10") AND A MAXIMUM DIMENSION OF 305MM (12") FROM FINISHED WALL TO C/L OF OUTLET.

**IMPORTANT:** Dimensions of fixtures are nominal and may vary within the range of tolerances established by ANSI Standard A112.19.2. These measurements are subject to change or cancellation. No responsibility is assumed for use of superseded or voided pages.