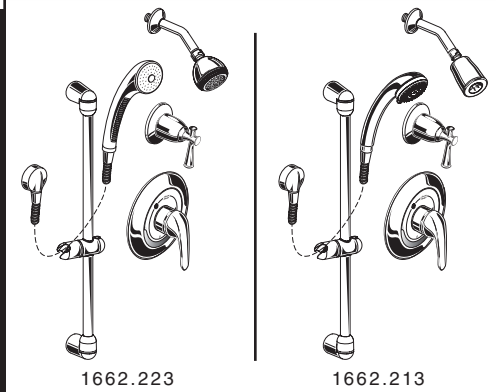


American Standard

Installation Instructions

COMMERCIAL SHOWER SYSTEM KITS: 1.5gpm & 2.5gpm

**1662.223
1662.213**



1662.223

1662.213

Certified to comply with ANSI A112.18.1

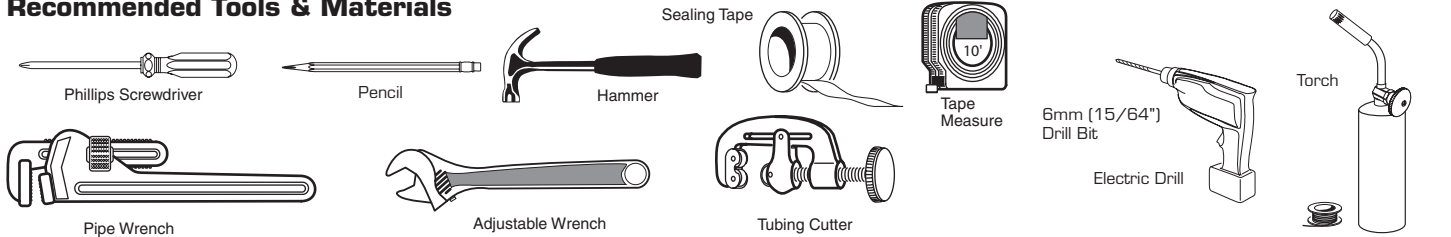
M965118

Thank you for selecting American-Standard...the benchmark of fine quality for over 100 years.

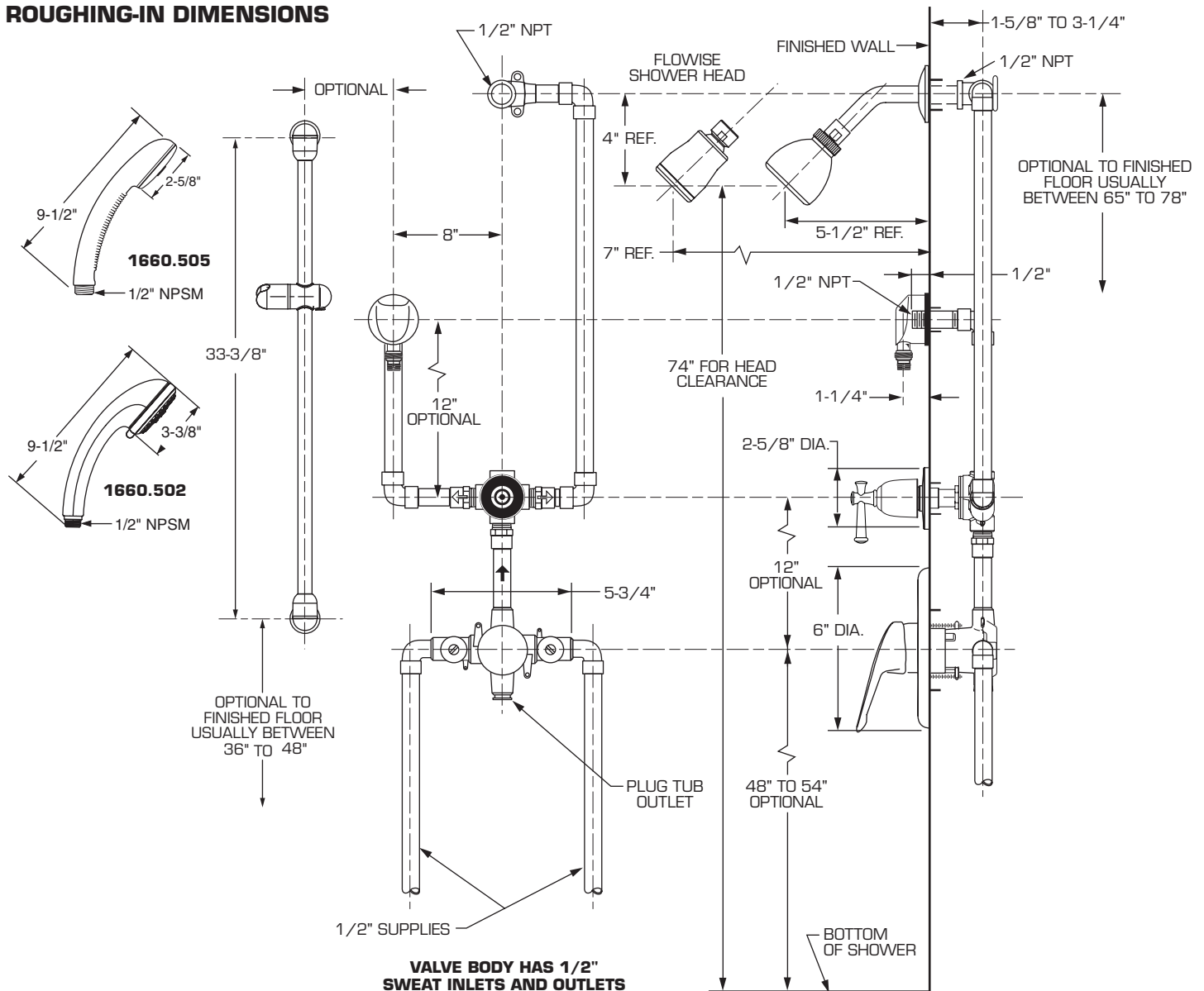
To ensure that your installation proceeds smoothly—please read these instructions carefully before you begin.

Installation must conform to all local building codes.

Recommended Tools & Materials



ROUGHING-IN DIMENSIONS



1 INSTALL THE R120SS VALVE BODY

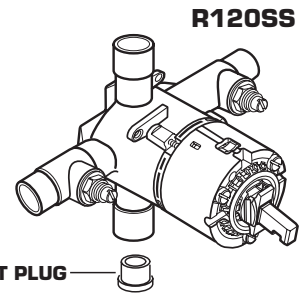
NOTE

REFER TO INSTALLATION INSTRUCTIONS (M968387) SUPPLIED WITH VALVE BODY FOR COMPLETE INSTALLATION AND REPAIR PART INFORMATION.

IMPORTANT

When soldering, remove **PLASTER GUARD, CARTRIDGES** and **CHECK STOPS (IF PRESENT)**. When finished soldering, flush valve body, replace cartridges, check stops (if present) and plaster guard to continue installation. Use thread sealant or Teflon tape on threaded connections.

- See Roughing-in diagram before starting.
- Connections are:
 - 1/2" copper sweat for sweat inlets
 - 1/2" copper sweat for sweat tub and shower outlets



2 INSTALL THE R420 TWO-WAY DIVERTER

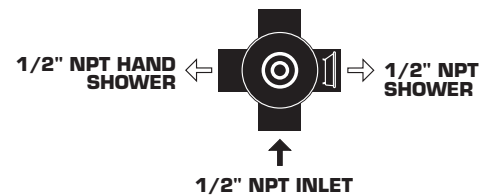
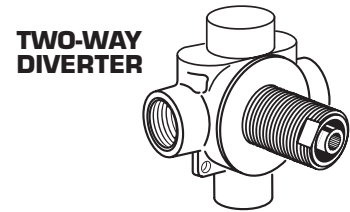
NOTE

REFER TO INSTALLATION INSTRUCTIONS (50321) SUPPLIED WITH DIVERTER FOR COMPLETE INSTALLATION AND REPAIR PART INFORMATION.

IMPORTANT

The reverse side of the body is marked with arrows.
CAUTION: Do not solder near the VALVE. Damage to the SEAL may occur. Do not seal any outlets. The DIVERTER cannot be used as a stop valve. Use thread sealant or sealing tape on threaded connections.

- See Roughing-in diagram before starting. The port with the BATH TUB picture is the high flow.
- The DIVERTER can be installed with the inlet rotated in any position.
- All connections are 1/2" NPT.
- For proper positioning the finished wall must be within the side of PLASTER GUARD.
- Connect the R420 TWO-WAY DIVERTER to the R120SS VALVE BODY.



3 MAKE ALL CONCEALED PIPING CONNECTIONS

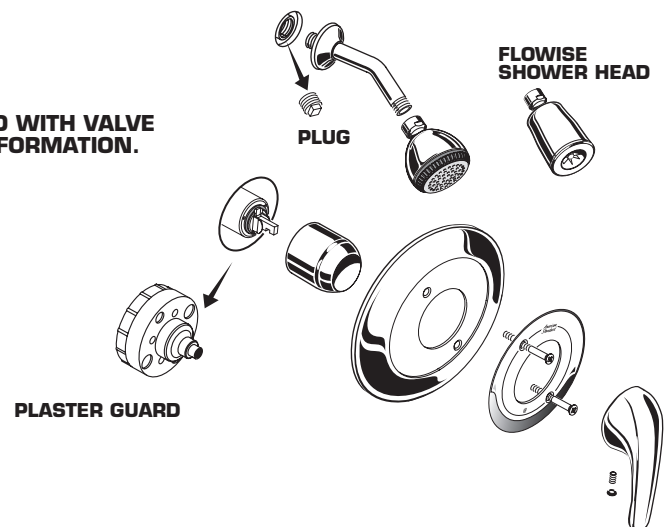
- See Roughing-in diagram before starting.
- Make Hot and Cold supply connections to the VALVE BODY. Inlet and outlet connections to the valve body are 1/2" copper sweat.
- Make SHOWER connection from DIVERTER. (Use the port with the BATH TUB picture). DIVERTER IS 1/2" NPT.
- Make the connection to the HAND SHOWER. The HAND SHOWER connections are 1/2" NPT.
- For support, use PIPE BRACES secured to wooden braces. Cap off SHOWER and HAND SHOWER. With the R120SS VALVE turned off, turn on water supplies. Check for leaks.
- Finish all wall construction.

4 INSTALL VALVE TRIM

NOTE

REFER TO INSTALLATION INSTRUCTIONS (M968763) SUPPLIED WITH VALVE TRIM KIT FOR COMPLETE INSTALLATION AND REPAIR PART INFORMATION.

- When finished tiling the wall, remove PLASTER GUARD.
- Remove plug from shower pipe.

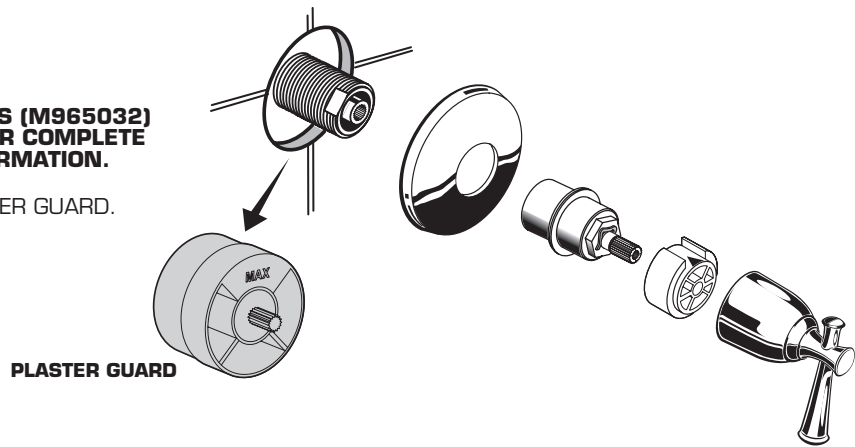


5 INSTALL DIVERTER TRIM

NOTE

REFER TO INSTALLATION INSTRUCTIONS (M965032) SUPPLIED WITH DIVERTER TRIM KIT FOR COMPLETE INSTALLATION AND REPAIR PART INFORMATION.

- When finished tiling the wall, remove PLASTER GUARD.



6 INSTALL WALL SUPPLY

NOTE

REFER TO INSTALLATION INSTRUCTIONS (M968637) SUPPLIED WITH WALL SUPPLY FOR COMPLETE INSTALLATION AND REPAIR PART INFORMATION.

- Supply to WALL SUPPLY is 1/2" NPT. See rough-in above for detailed information.
- Apply sealant or sealing tape to threads of 1/2" NPT supply nipple.

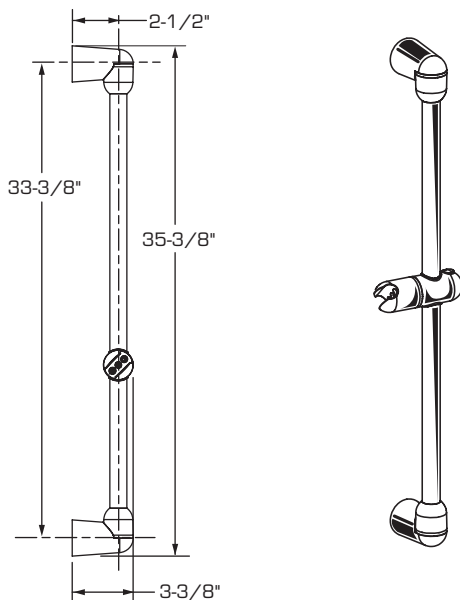


7 INSTALL HAND SHOWER SLIDE BAR

NOTE

REFER TO INSTALLATION INSTRUCTIONS (M968637) SUPPLIED WITH SHOWER SYSTEM KIT FOR COMPLETE INSTALLATION AND REPAIR PART INFORMATION.

- The height and location of the SLIDE BAR is optional. It can be installed to the right or left side of the R120SS VALVE.

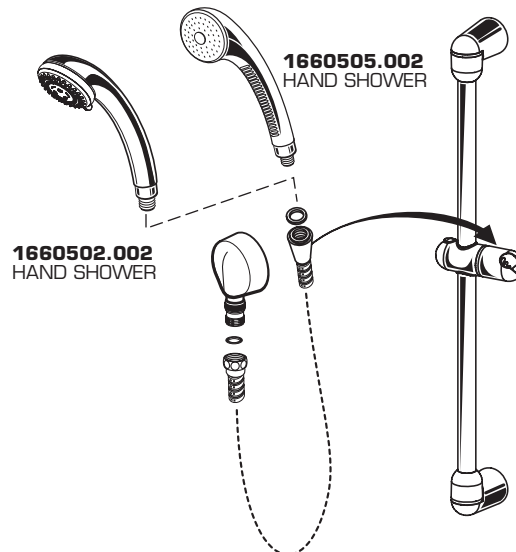


8 INSTALL HOSE AND HAND SHOWER TEST SHOWER SYSTEM

NOTE

REFER TO INSTALLATION INSTRUCTIONS (M968637) SUPPLIED WITH SHOWER SYSTEM KIT FOR COMPLETE INSTALLATION AND REPAIR PART INFORMATION.

- Place the HAND SHOWER into the SLIDE BAR after all hose connections are made. The installation of the SHOWER SYSTEM KIT is now complete.
- Turn on water supplies and check all functions of the SHOWER SYSTEM KIT. Check for any leaks.



CARE INSTRUCTIONS:

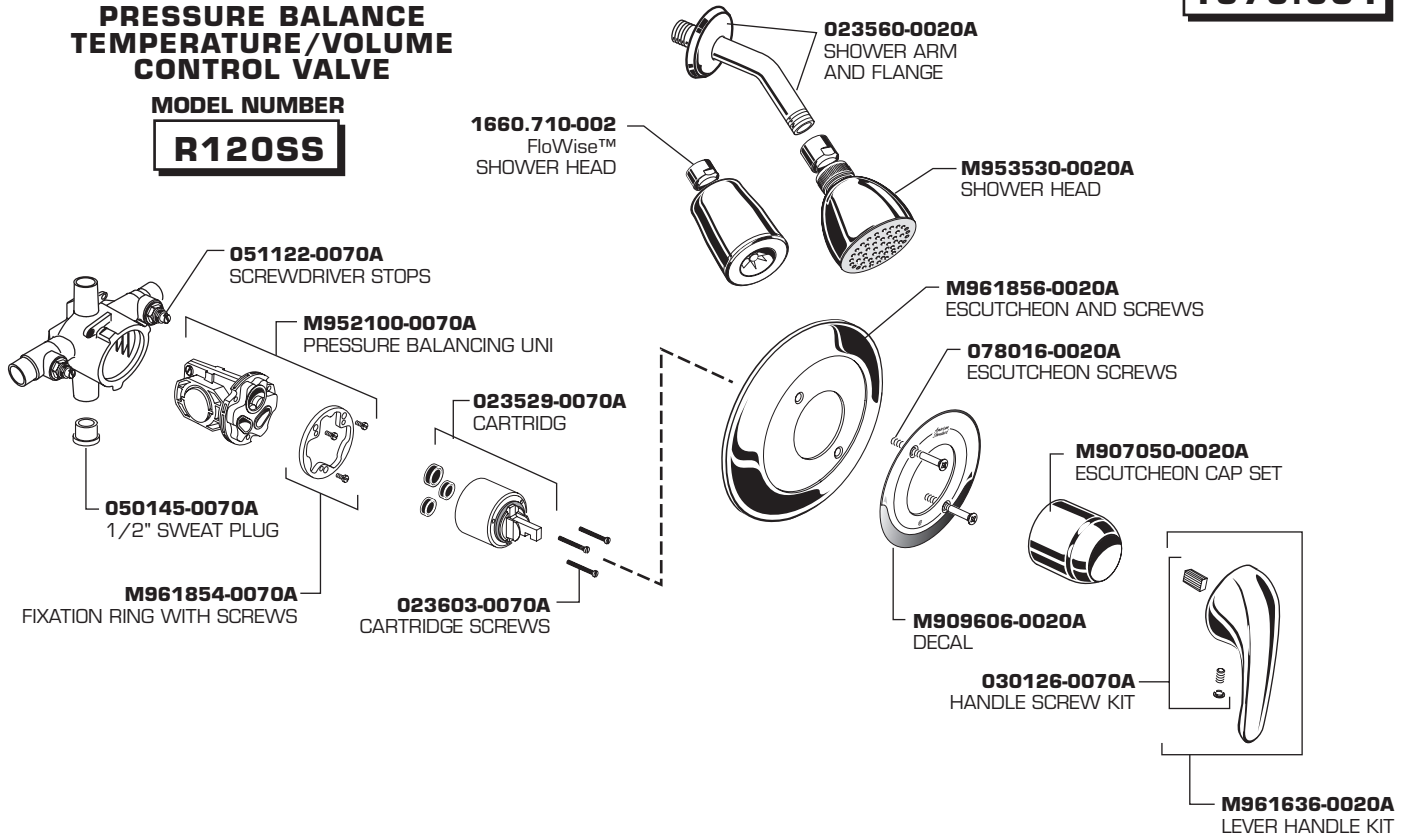
DO: SIMPLY RINSE THE PRODUCT CLEAN WITH CLEAR WATER. DRY WITH A SOFT COTTON FLANNEL CLOTH.

DO NOT: DO NOT CLEAN THE PRODUCT WITH SOAPS, ACID, POLISH, ABRASIVES, HARSH CLEANERS, OR A CLOTH WITH A COARSE SURFACE.

**PRESSURE BALANCE
TEMPERATURE/VOLUME
CONTROL VALVE**

MODEL NUMBER

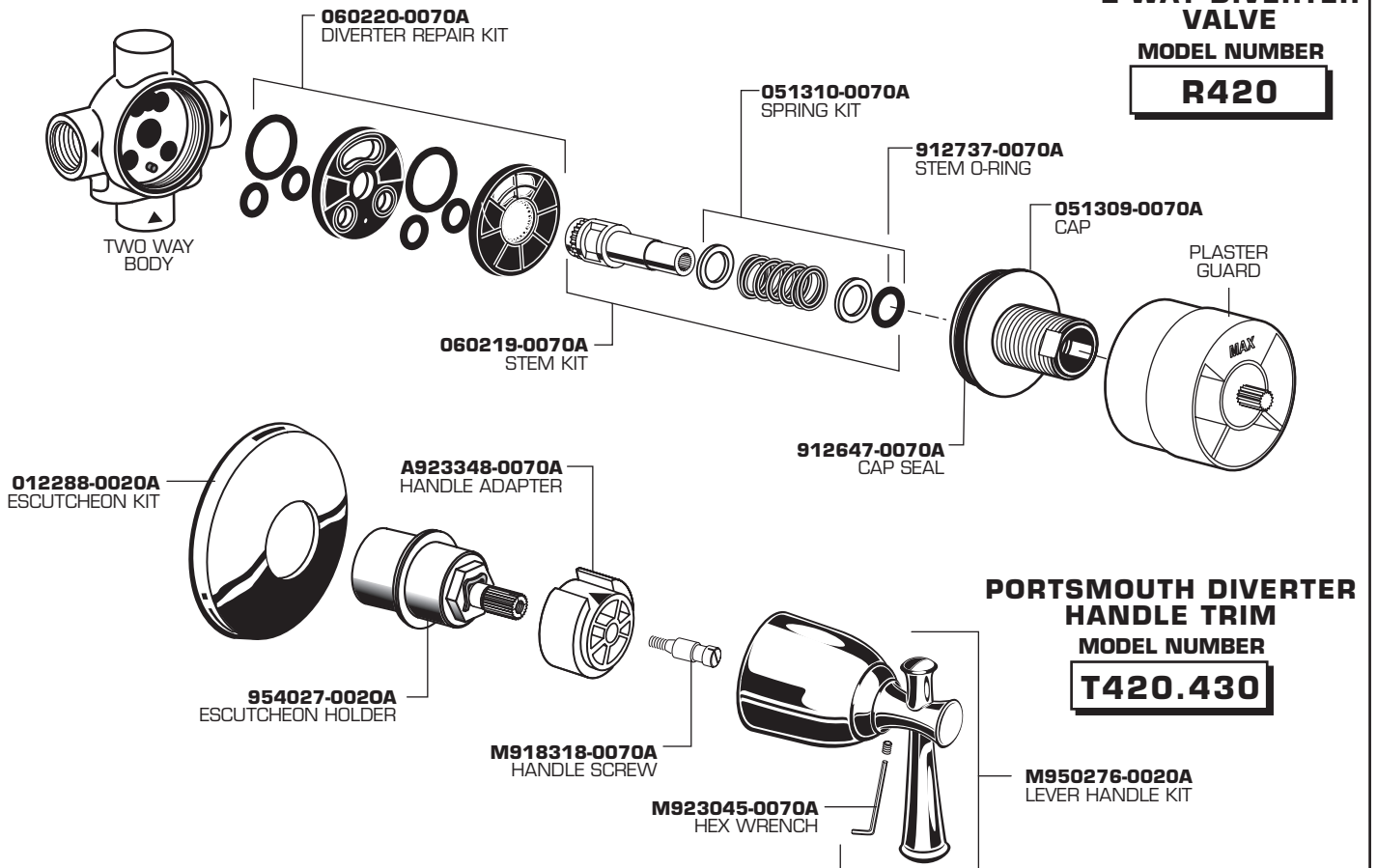
R120SS



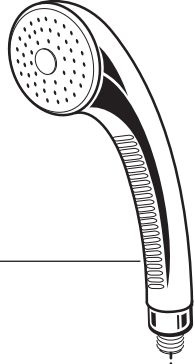
**2-WAY DIVERTER
VALVE**

MODEL NUMBER

R420

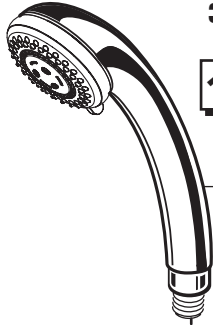


FIXED HAND SHOWER
1660.505.002



1660505.002
HAND SHOWER

3-FUNCTION HAND SHOWER
1660.502.002



1660502.002
3-FUNCTION
HAND SHOWER

WALL SUPPLY
8888.037.002

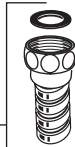


8888037.002
WALL SUPPLY

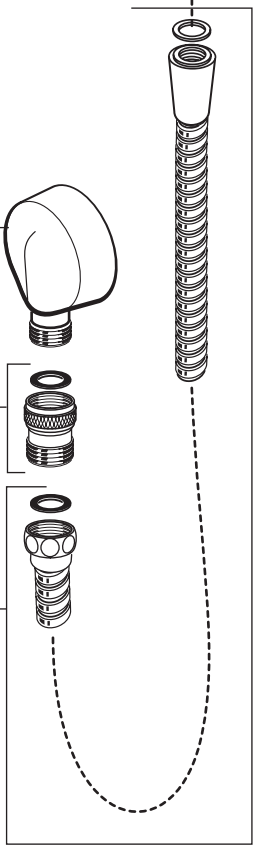
M962520-0020A
CHECK VALVE



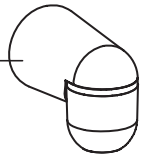
030782-0020A
HOSE KIT



METAL HOSE
8888.035.002



M962506-0020A
SUPPORT BRACKET



36" SLIDE BAR
1660.236.002

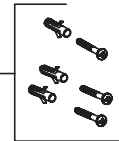


M919211-0020A
36" SLIDE BAR

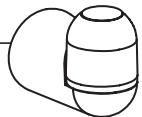
M962507-0020A
HAND SHOWER HOLDER



M950105-0070A
HARDWARE KIT



M962506-0020A
SUPPORT BRACKET



HOT LINE FOR HELP

For toll-free information and answers to your questions, call:
1-800-442-1902
Weekdays 8:00 a.m. to 6:00 p.m. EST
IN CANADA 1-800-387-0369 (TORONTO 1-905-306-1093)
Weekdays 8:00 a.m. to 7:00 p.m. EST
IN MEXICO 01-800-839-1200