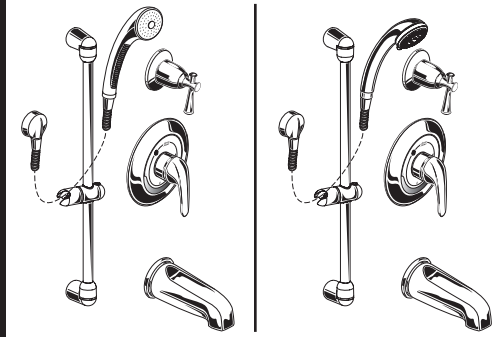


**American Standard**

# Installation Instructions

**COMMERCIAL SHOWER SYSTEM KITS: 1.5gpm & 2.5gpm**

**1662.222  
1662.212**



1662.222

1662.212

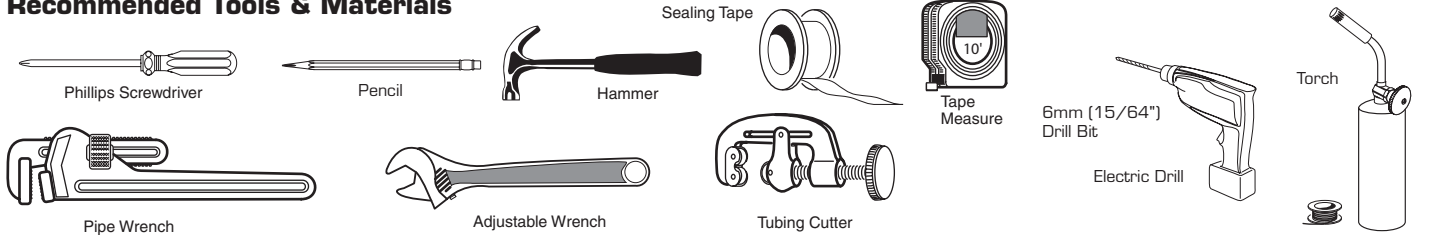
Certified to comply with ANSI A112.18.1  
M965117

*Thank you for selecting American-Standard...the benchmark of fine quality for over 100 years.*

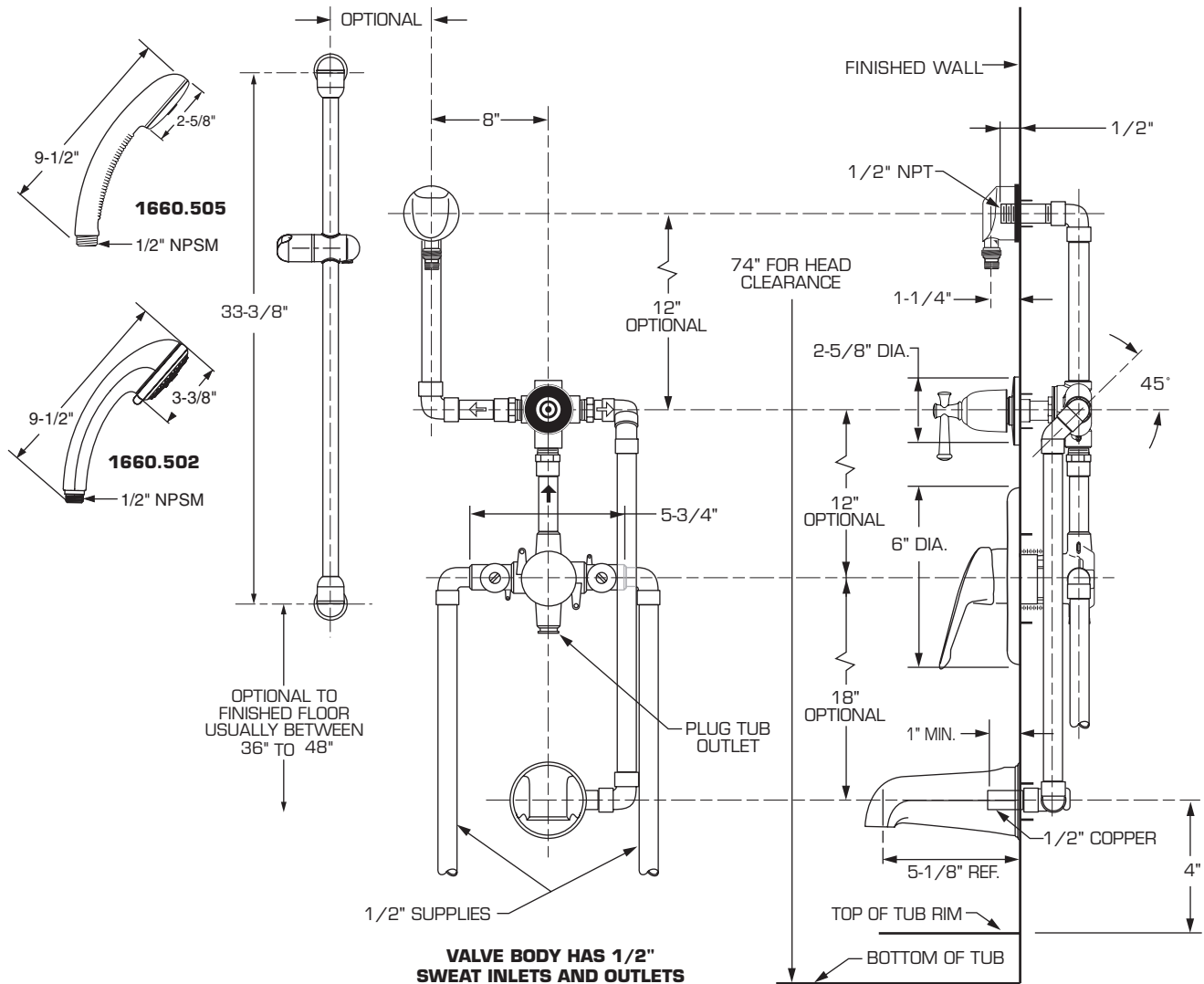
*To ensure that your installation proceeds smoothly—please read these instructions carefully before you begin.*

**Installation must conform to all local building codes.**

## Recommended Tools & Materials



## ROUGHING-IN DIMENSIONS



# 1 INSTALL THE R120SS VALVE BODY

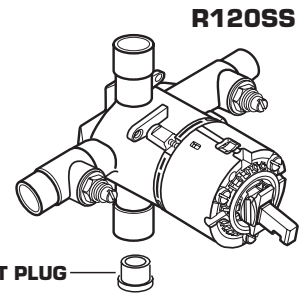
## NOTE

REFER TO INSTALLATION INSTRUCTIONS (M968387) SUPPLIED WITH VALVE BODY FOR COMPLETE INSTALLATION AND REPAIR PART INFORMATION.

## IMPORTANT

When soldering, remove **PLASTER GUARD, CARTRIDGES** and **CHECK STOPS (IF PRESENT)**. When finished soldering, flush valve body, replace cartridges, check stops (if present) and plaster guard to continue installation. Use thread sealant or Teflon tape on threaded connections.

- See Roughing-in diagram before starting.
- Connections are:
  - 1/2" copper sweat for sweat inlets
  - 1/2" copper sweat for sweat tub and shower outlets



# 2 INSTALL THE R420 TWO-WAY DIVERTER

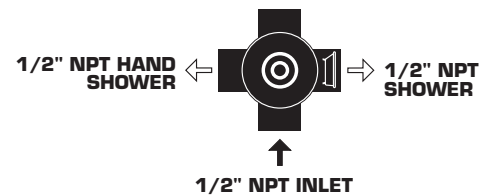
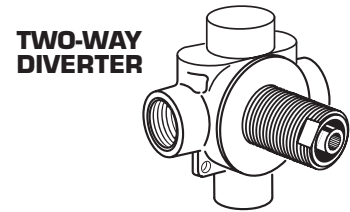
## NOTE

REFER TO INSTALLATION INSTRUCTIONS (50321) SUPPLIED WITH DIVERTER FOR COMPLETE INSTALLATION AND REPAIR PART INFORMATION.

## IMPORTANT

The reverse side of the body is marked with arrows.  
**CAUTION:** Do not solder near the VALVE. Damage to the SEAL may occur. Do not seal any outlets. The DIVERTER cannot be used as a stop valve. Use thread sealant or sealing tape on threaded connections.

- See Roughing-in diagram before starting. The port with the BATH TUB picture is the high flow.
- The DIVERTER can be installed with the inlet rotated in any position.
- All connections are 1/2" NPT.
- For proper positioning the finished wall must be within the side of PLASTER GUARD.
- Connect the R420 TWO-WAY DIVERTER to the R120SS VALVE BODY.



# 3 MAKE ALL CONCEALED PIPING CONNECTIONS

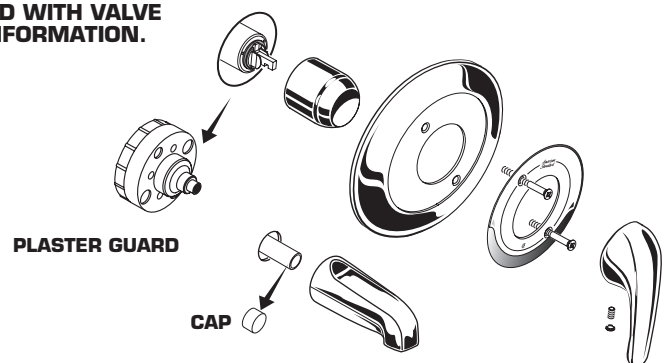
- See Roughing-in diagram before starting.
- Make Hot and Cold supply connections to the VALVE BODY. Inlet and outlet connections to the valve body are 1/2" copper sweat.
- Make Tub Filler connection from DIVERTER. (Use the port with the BATH TUB picture). DIVERTER IS 1/2" NPT. TUB SPOUT connection is 1/2" copper for SLIP-ON SPOUT.
- Make the connections for the HAND SHOWER. The HAND SHOWER connections are 1/2" NPT.
- For support, use PIPE BRACES secured to wooden braces. Cap off HAND SHOWER and TUB SPOUT FILLER PIPE. With the R120SS VALVE turned off, turn on water supplies. Check for leaks.
- Finish all wall construction.

# 4 INSTALL VALVE TRIM

## NOTE

REFER TO INSTALLATION INSTRUCTIONS (M968763) SUPPLIED WITH VALVE TRIM KIT FOR COMPLETE INSTALLATION AND REPAIR PART INFORMATION.

- When finished tiling the wall, remove PLASTER GUARD.
- Remove cap from tub supply pipe.

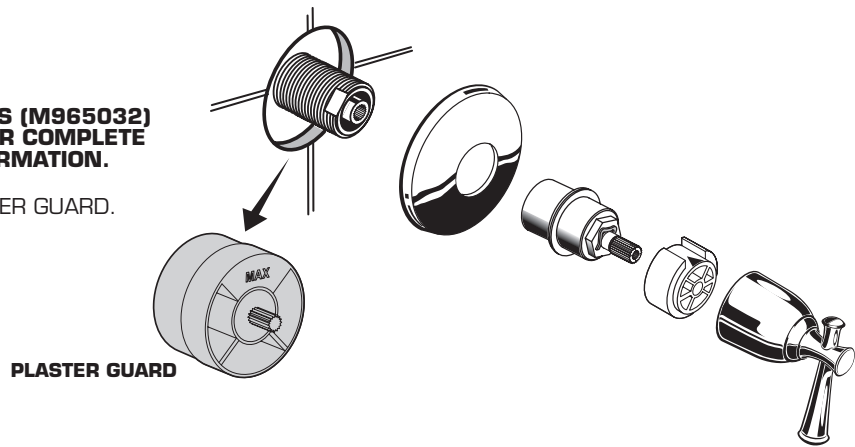


## 5 INSTALL DIVERTER TRIM

### NOTE

REFER TO INSTALLATION INSTRUCTIONS (M965032) SUPPLIED WITH DIVERTER TRIM KIT FOR COMPLETE INSTALLATION AND REPAIR PART INFORMATION.

- When finished tiling the wall, remove PLASTER GUARD.



## 6 INSTALL WALL SUPPLY

### NOTE

REFER TO INSTALLATION INSTRUCTIONS (M968637) SUPPLIED WITH WALL SUPPLY FOR COMPLETE INSTALLATION AND REPAIR PART INFORMATION.

- Supply to WALL SUPPLY is 1/2" NPT. See rough-in above for detailed information.
- Apply sealant or sealing tape to threads of 1/2" NPT supply nipple.

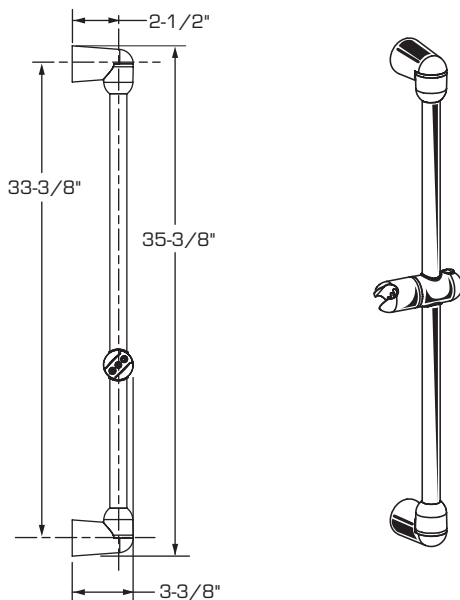


## 7 INSTALL HAND SHOWER SLIDE BAR

### NOTE

REFER TO INSTALLATION INSTRUCTIONS (M968637) SUPPLIED WITH SHOWER SYSTEM KIT FOR COMPLETE INSTALLATION AND REPAIR PART INFORMATION.

- The height and location of the SLIDE BAR is optional. It can be installed to the right or left side of the R120SS VALVE.

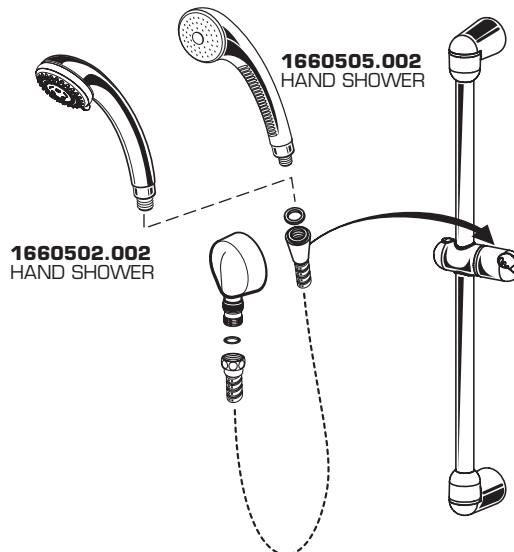


## 8 INSTALL HOSE AND HAND SHOWER TEST SHOWER SYSTEM

### NOTE

REFER TO INSTALLATION INSTRUCTIONS (M968637) SUPPLIED WITH SHOWER SYSTEM KIT FOR COMPLETE INSTALLATION AND REPAIR PART INFORMATION.

- Place the HAND SHOWER into the SLIDE BAR after all hose connections are made. The installation of the SHOWER SYSTEM KIT is now complete.
- Turn on water supplies and check all functions of the SHOWER SYSTEM KIT. Check for any leaks.



### CARE INSTRUCTIONS:

**DO:** SIMPLY RINSE THE PRODUCT CLEAN WITH CLEAR WATER. DRY WITH A SOFT COTTON FLANNEL CLOTH.

**DO NOT:** DO NOT CLEAN THE PRODUCT WITH SOAPS, ACID, POLISH, ABRASIVES, HARSH CLEANERS, OR A CLOTH WITH A COARSE SURFACE.

# American Standard

## PRESSURE BALANCE TEMPERATURE/VOLUME CONTROL VALVE

MODEL NUMBER  
**R120SS**

## COLONY SOFT TRIM

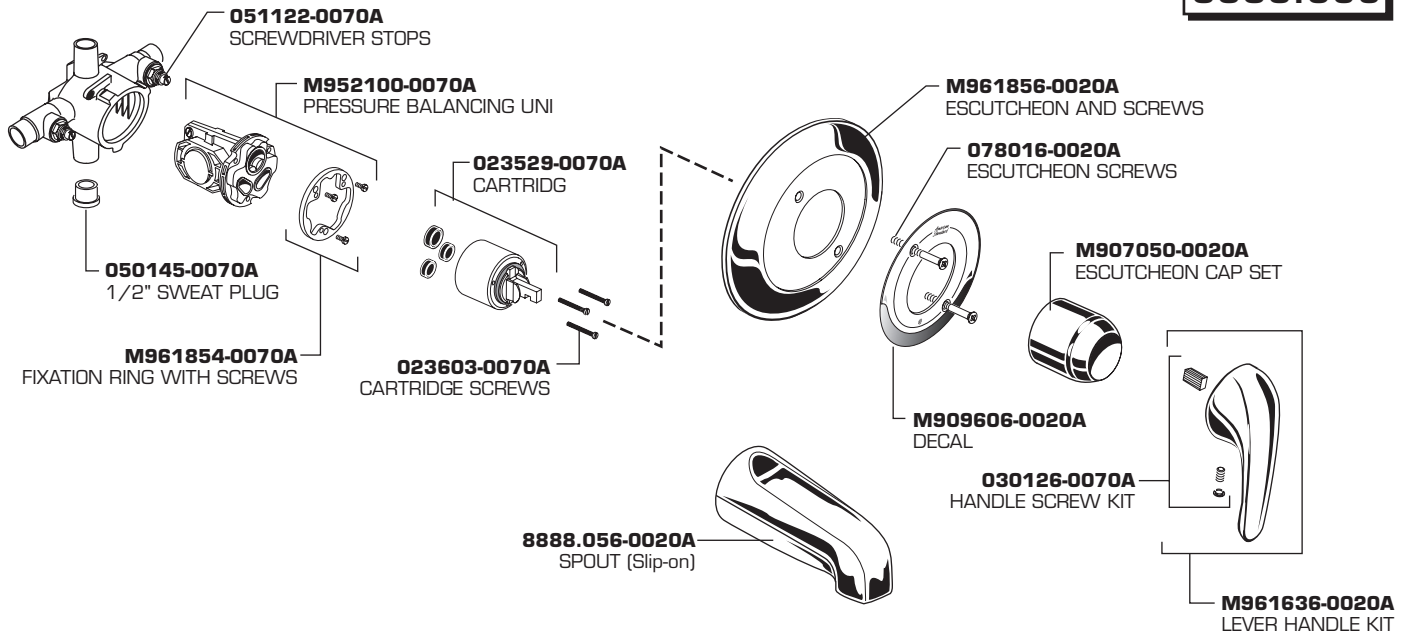
MODEL NUMBER

**T675.500**

TUB SPOUT

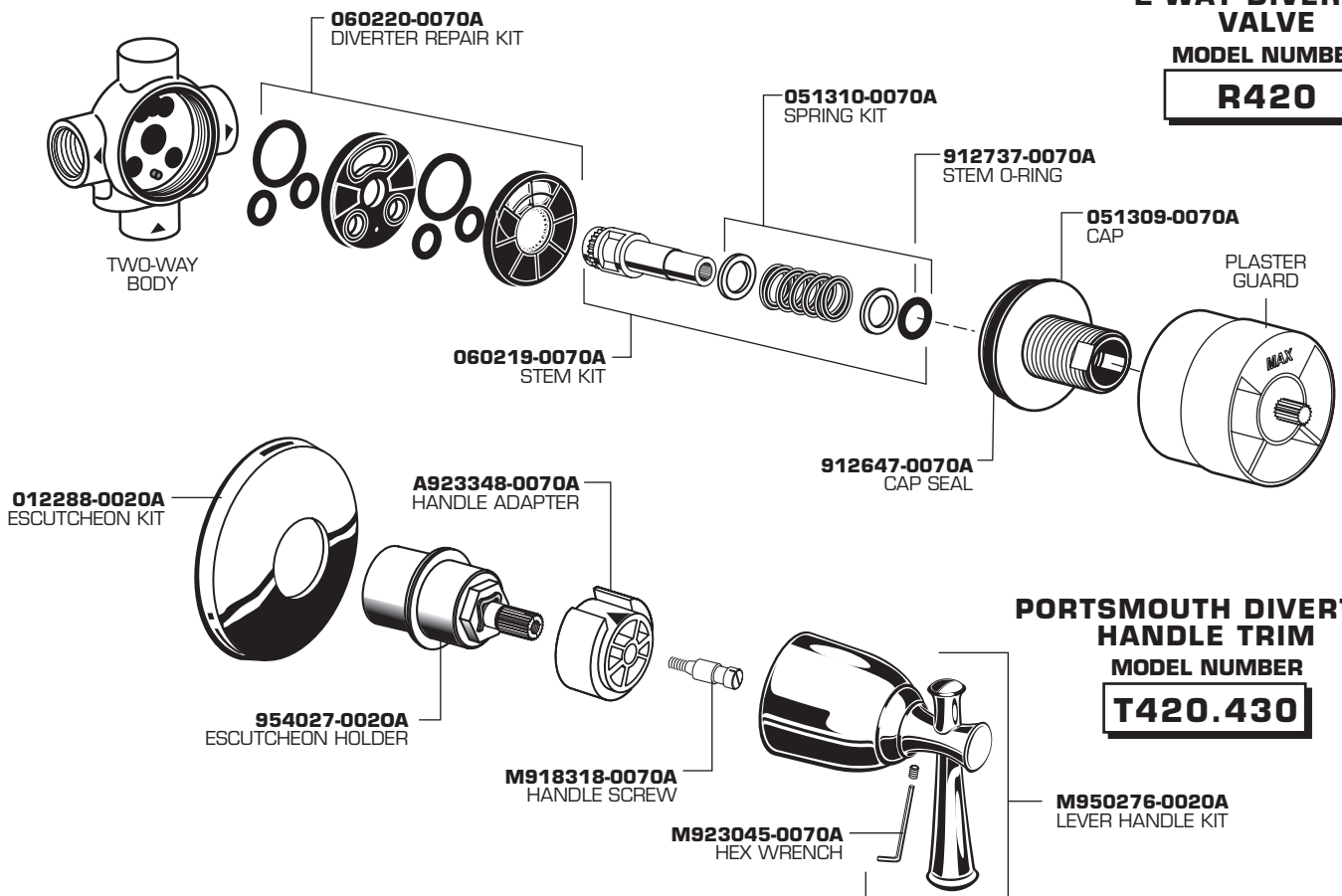
MODEL NUMBER

**8888.056**

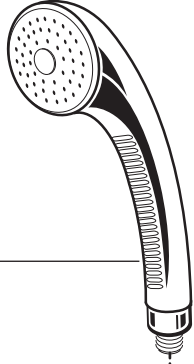


## 2-WAY DIVERTER VALVE

MODEL NUMBER  
**R420**

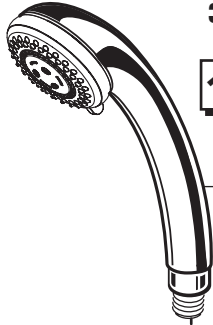


**FIXED HAND SHOWER**  
**1660.505.002**



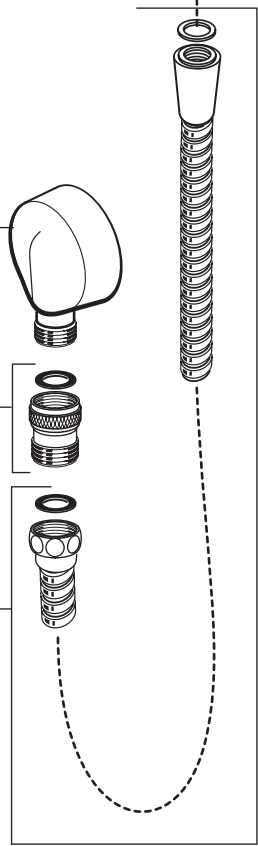
1660505.002  
HAND SHOWER

**3-FUNCTION HAND SHOWER**  
**1660.502.002**



1660502.002  
3-FUNCTION  
HAND SHOWER

**WALL SUPPLY**  
**8888.037.002**



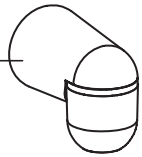
8888037.002  
WALL SUPPLY

M962520-0020A  
CHECK VALVE

030782-0020A  
HOSE KIT

**METAL HOSE**  
**8888.035.002**

M962506-0020A  
SUPPORT BRACKET



**36" SLIDE BAR**  
**1660.236.002**

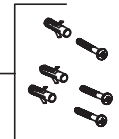
M919211-0020A  
36" SLIDE BAR



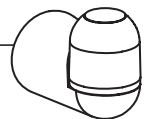
M962507-0020A  
HAND SHOWER HOLDER



M950105-0070A  
HARDWARE KIT



M962506-0020A  
SUPPORT BRACKET



**HOT LINE FOR HELP**

For toll-free information and answers to your questions, call:  
1-800-442-1902  
Weekdays 8:00 a.m. to 6:00 p.m. EST  
IN CANADA 1-800-387-0369 (TORONTO 1-905-306-1093)  
Weekdays 8:00 a.m. to 7:00 p.m. EST  
IN MEXICO 01-800-839-1200