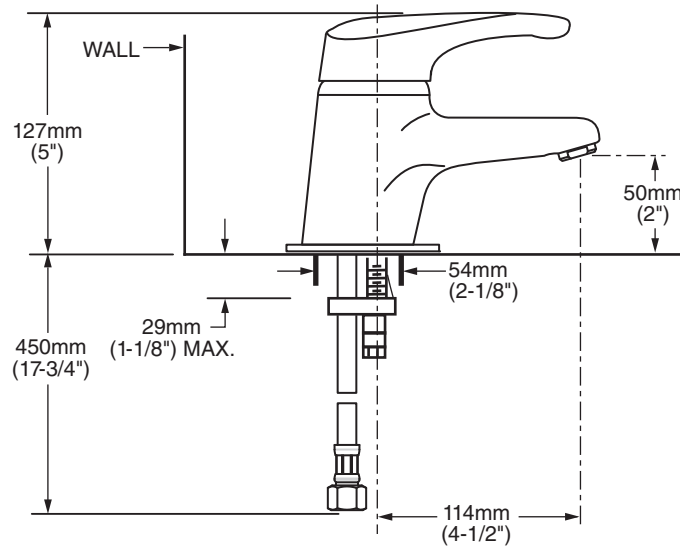




**MODEL NUMBER:**

- 1480.150 Seva Single Control Centerset**  
 Less pop-up drain. Less pop-up hole. Escutcheon plate.  
 0.5 gpm Pressure Compensating Vandal Resistant Spray.



**GENERAL DESCRIPTION:**

Cast brass body and brass escutcheon with all metal handle. Washerless 47mm ceramic disc valve cartridge with integral hot limit safety stop. Braided flexible supply hoses with 3/8" compression connectors. Pressure compensating vandal resistant spray with 0.5 gpm/1.9L/min. maximum flow rate.

**PRODUCT FEATURES:**

- Pressure Compensating Spray:** Provides a constant water flow of 0.5 gpm through the pressure range.
- Brass Construction:** Durable. Easy to clean. Ideal for prolonged contact with water.
- Ceramic Disc Valve Cartridge:** Assures a lifetime of drip-free performance.
- Adjustable Hot Limit Safety Stop:** Limits the amount of hot water allowed to mix with cold. Reduces the risk of accidental scalding.
- Lead Free:** Faucet contains  $\leq 0.25\%$  total lead content by weighted average.
- Choice of Finishes:** Choice of Polished Chrome or Satin Nickel (PVD).

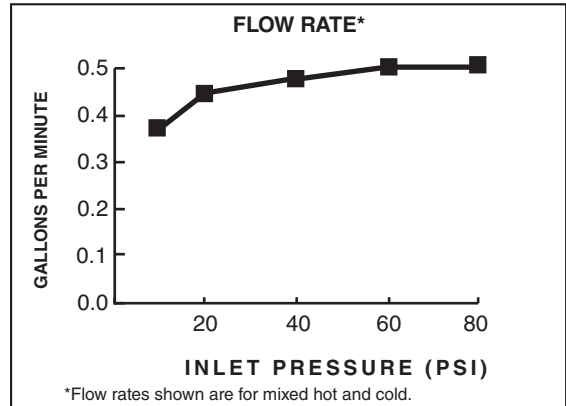
**SUGGESTED SPECIFICATION:**

Single control lavatory fitting shall feature a cast brass body and escutcheon with all metal handle. Shall feature vandal resistant spray with 0.5gpm/1.9L/min. max flow rate. Shall also feature washerless ceramic disc valve cartridge with integral hot limit safety stop. Shall feature water conserving vandal resistant 0.5 gmp/1.9L/min. pressure compensating spray. Fitting shall be American Standard Model # 1480.150.\_\_\_\_.

**CODES AND STANDARDS**


These products meet or exceed the following codes and standards:

- ANSI A117.1**
- ASME A112.18.1**
- NSF 61/Section 9 and Annex G**



Product Number	Description	Finish Options	
		Polished Chrome	PVD Satin Nickel
1480.150	Seva Single Control Centerset. Less pop-up drain. Less pop-up hole. Pressure compensating vandal resistant 0.5 gpm spray.	002	295

**N/A = NOT AVAILABLE**

 Meets the American Disabilities Act Guidelines and **ANSI A117.1** Requirements for the physically challenged.