

MODEL NUMBER:

TRIM KITS:

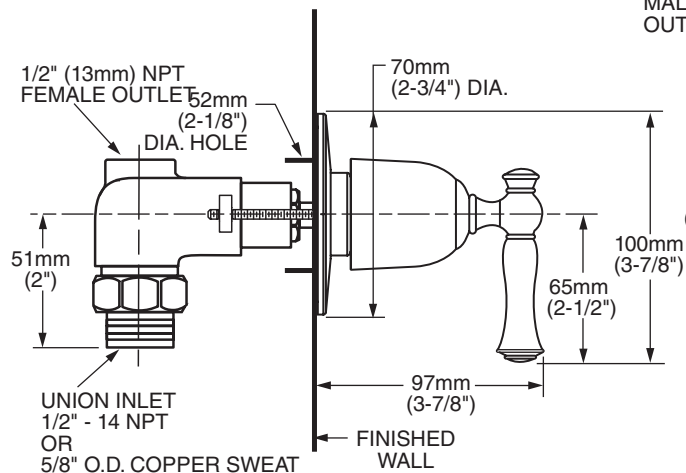
- T440.700 Quentin On/Off & Volume Control Valve Trim**

Valve Trim ONLY. Lever Handle. LESS Valve.

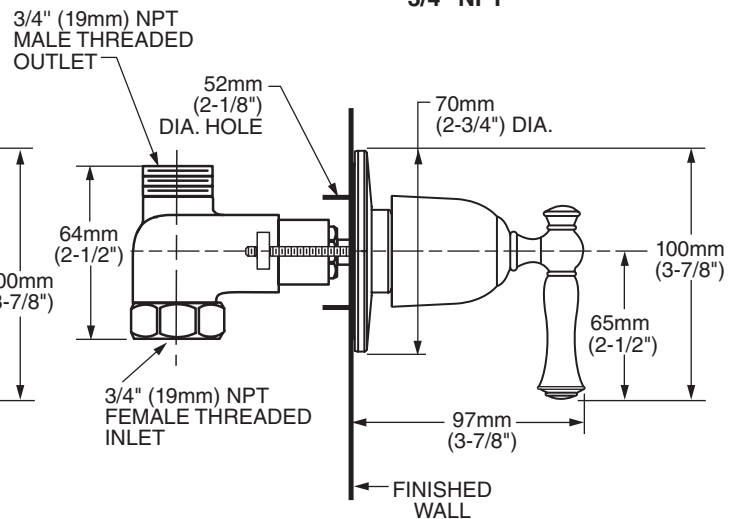
ROUGH VALVE BODIES:

- R701 On/Off & Volume Control Valve Rough**
1/2" inlet/outlet. Less handle.
- R711 On/Off & Volume Control Valve Rough**
3/4" inlet/outlet. Less handle.

Model R701
1/2" NPT



Model R711
3/4" NPT



GENERAL DESCRIPTION:

Cast brass valve body. Washerless ceramic disc valve cartridge. Choice of 1/2" or 3/4" NPT inlets and outlets. Trim is brass construction.

PRODUCT FEATURES:

Brass Construction: Durable - Excellent in high use applications. Ideal for prolonged contact with water.

Ceramic Disc Valve Cartridge: Assures a lifetime of drip-free performance.

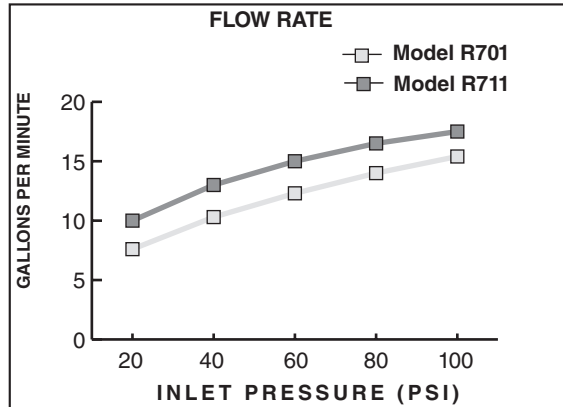
SUGGESTED SPECIFICATION:


In-wall single valve shall feature a cast brass valve body. Model R701 shall feature combination 1/2" NPT threaded and direct sweat inlets. 1/2" NPT female outlet. Model R711 shall feature 3/4" female inlet. 3/4" male outlet. Shall also feature 1/4 turn washerless ceramic disc valve cartridges. Trim shall be constructed of brass. Fitting shall be American Standard Model # T440.700.____ (Trim) and R7_1 (Rough Valve Body).

CODES AND STANDARDS

These products meet or exceed the following codes and standards:


- ASME A112.18.1**
- CSA B125.1**



| TRIM KITS** | Product Number | Description | Finish Options | | |
|-------------|--|-------------|-----------------|-------------------|------------------|
| | | | Polished Chrome | Oil Rubbed Bronze | PVD Satin Nickel |
| | | | 002 | 224 | 295 |
| T440.700 | On/Off & Volume Control Valve Trim. Lever Handle. LESS Valve.  | | | | |

| ROUGH VALVE BODIES | Product Number | Description |
|--------------------|----------------|---|
| | R701 | In-wall single valve. 1/2" inlet/outlet. Less handle. |
| | R711 | In-wall single valve. 3/4" inlet/outlet. Less handle. |

**** ROUGHS AND TRIMS MUST BE ORDERED SEPARATELY.**

 Meets the American Disabilities Act Guidelines and **ANSI A117.1** Requirements for the physically challenged.