

American Standard

JASMINE
AMARILLIS

BATH/SHOWER TRIM KIT

*Thank you for selecting American-Standard...
the benchmark of fine quality for over 100 years.*

*To ensure that your installation proceeds smoothly...
please read these instructions carefully before you begin.*

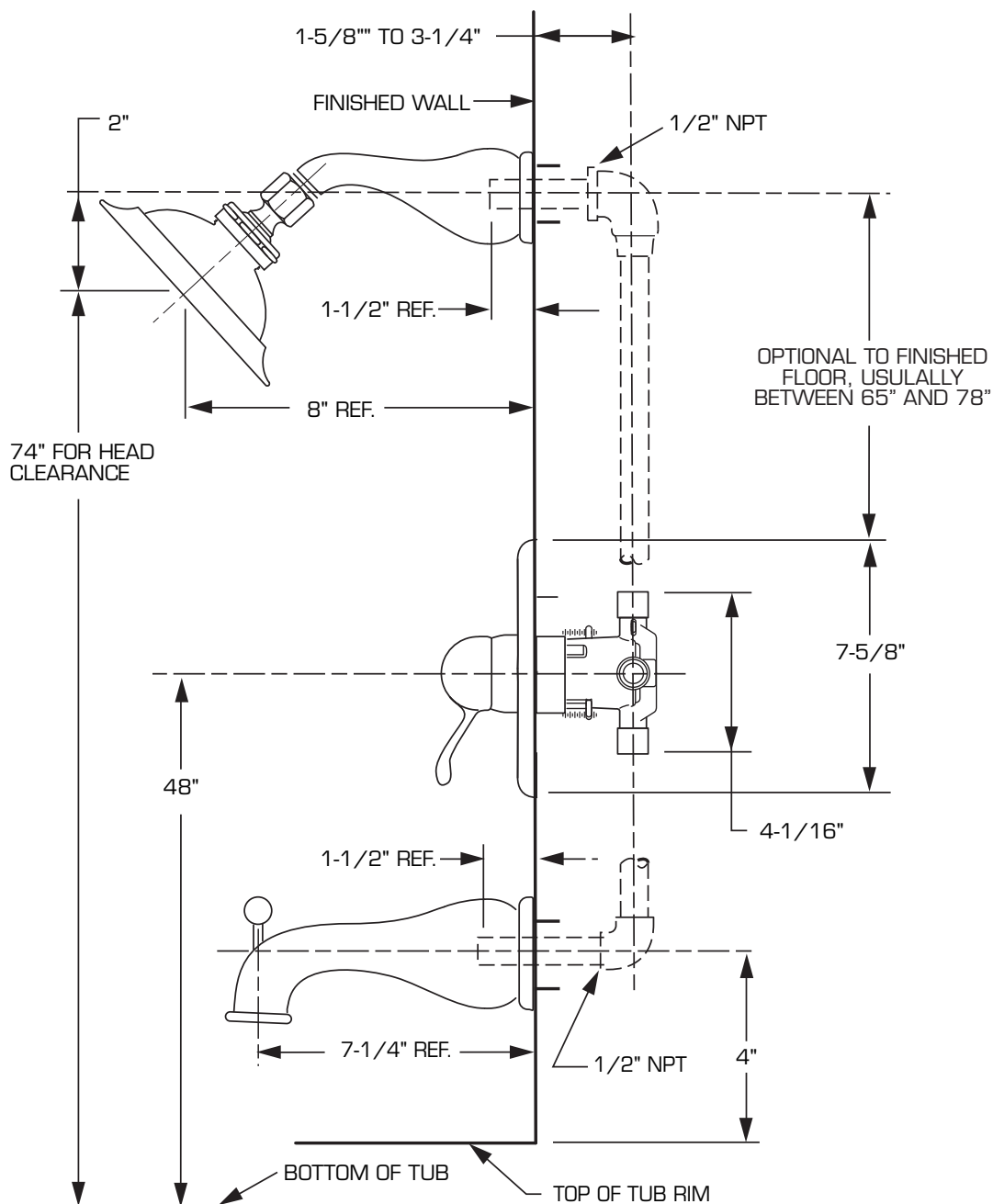
**Installation
Instructions
T808.502
T808.501
T808.500**



Certified to comply with ANSI A112.18.1
U.S. Patent No. D403,750
M968389 Rev. 1.4

ROUGHING-IN DIMENSIONS

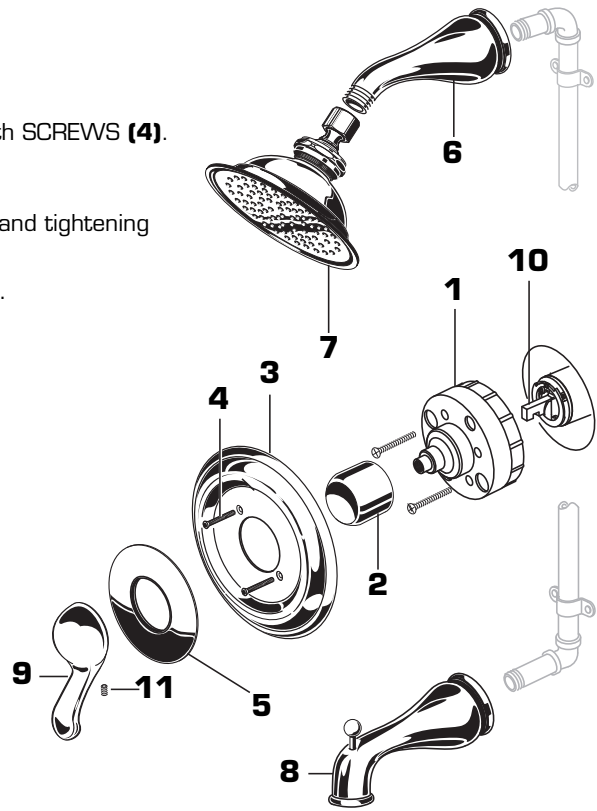
To assure proper positioning in relation to wall,
note roughing-in dimensions.



1

INSTALL TRIM

- Remove PLASTER GUARD (1).
- Push CAP (2) on valve, place ESCUTCHEON (3) and attach with SCREWS (4).
- Push RING (5) onto CAP (2).
- Install HANDLE (9) by pushing it onto CARTRIDGE STEM (10) and tightening SET SCREW (11) from below.
- Install SHOWER ARM (6), SHOWER HEAD (7) and SPOUT (8).
- Check proper operation of HANDLE and DIVERTER.



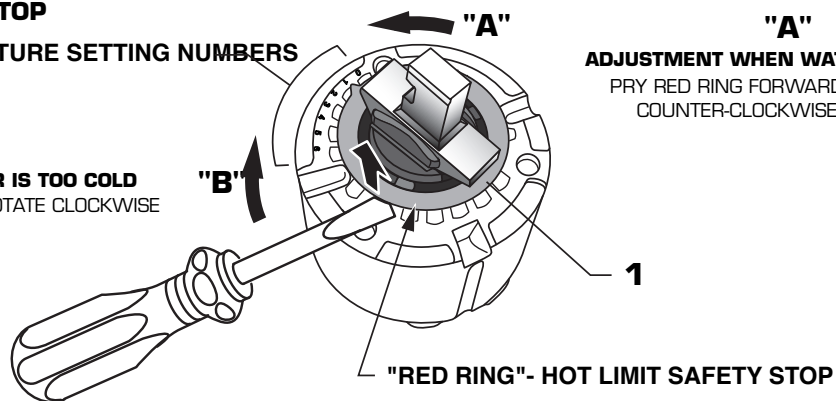
2

ADJUST HOT LIMIT STOP

TEMPERATURE SETTING NUMBERS

"B"
ADJUSTMENT WHEN WATER IS TOO COLD
PRY RED RING FORWARD AND ROTATE CLOCKWISE

"A"
ADJUSTMENT WHEN WATER IS TOO HOT
PRY RED RING FORWARD AND ROTATE
COUNTER-CLOCKWISE ONE CLICK



HOT LIMIT SAFETY STOP ADJUSTMENT

By restricting handle rotation and limiting the amount of hot water allowed to mix with the cold, the HOT LIMIT SAFETY STOP reduces risk of accidental scalding. To set the maximum hot water temperature of your faucets, all you need to do is adjust the setting on the HOT LIMIT SAFETY STOP.

- Use a flat blade screwdriver or your fingers to pull up and rotate red HOT LIMIT SAFETY STOP (1). Follow **Step "A" or "B"** to adjust min./max. discharge temperature. "0" being the hottest to "7" the coldest temperature setting. Factory set at "0".

3

CARE INSTRUCTIONS:

DO: SIMPLY RINSE THE PRODUCT CLEAN WITH CLEAR WATER. DRY WITH A SOFT COTTON FLANNEL CLOTH.

DO NOT: DO NOT CLEAN THE PRODUCT WITH SOAPS, ACID, POLISH, ABRASIVES, HARSH CLEANERS, OR A CLOTH WITH A COARSE SURFACE.

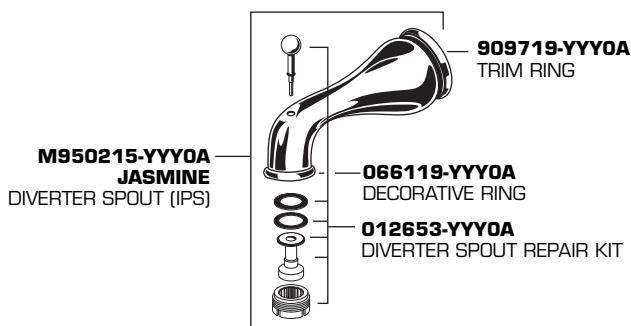
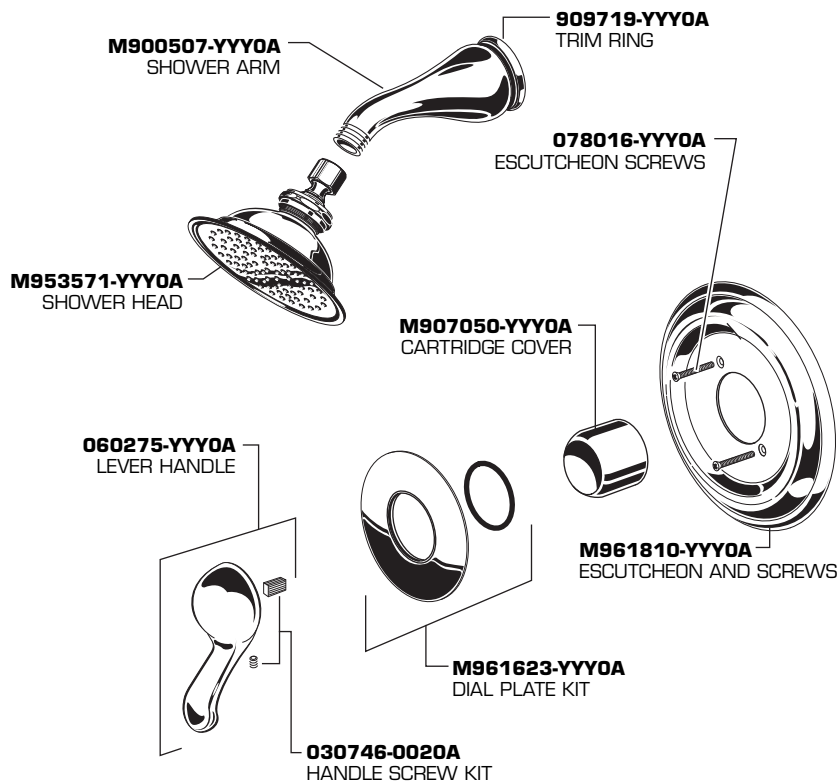
American Standard

JASMINE

AMARILIS

BATH/SHOWER TRIM KIT
MODEL NUMBER

T808.502
T808.501
T808.500



Replace the "YYY" with appropriate finish code

CHROME	002
POLISHED BRASS	099
SATIN/CHROME	221
SATIN NICKEL	295
SATIN/BRASS	297
CHROME/BRASS	299

HOT LINE FOR HELP

For toll-free information and answers to your questions, call:
1-800-442-1902
Weekdays 8:00 a.m. to 6:00 p.m. EST
IN CANADA 1-800-387-0369 (TORONTO 1-905-306-1093)
Weekdays 8:00 a.m. to 7:00 p.m. EST
IN MEXICO 01-800-639-1200



Product names listed herein are trademarks of American Standard Inc.
© AS America, Inc. 2009

M968389 Rev. 1.4