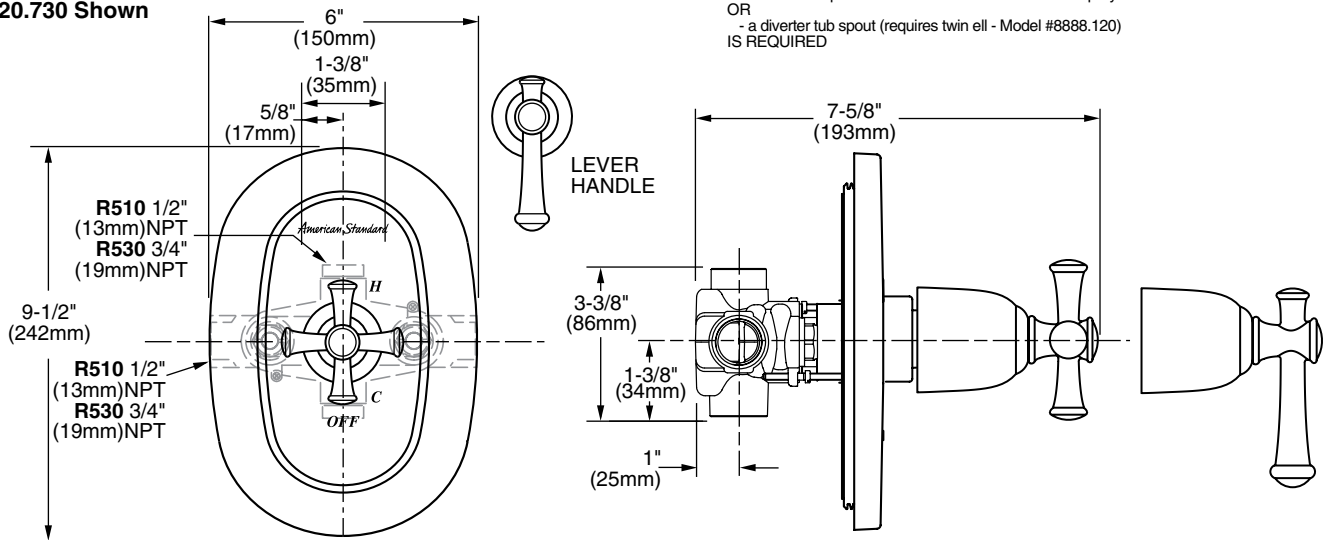


**T420.730 Shown**



**MODEL NUMBER:**

**TRIM KITS:**

- T420.730 Portsmouth Central Thermostat Trim Kit**  
Less volume control. Lever Handle. LESS Valve.
- T420.732 Portsmouth Central Thermostat Trim Kit**  
Less volume control. Cross Handle. LESS Valve.

**ROUGH VALVES:**

- R510 Rough Valve Body only**  
1/2" NPT inlets/outlets. LESS Trim.
- R530 Rough Valve Body only**  
3/4" NPT inlets/outlets. LESS Trim.

**NOTE:**

- Requires separate on/off volume control.
- When used as a Bath/Shower:  
 EITHER  
 - must use separate on/off volume control for each spray outlet  
 OR  
 - a diverter tub spout (requires twin ell - Model #8888.120)  
 IS REQUIRED

**GENERAL DESCRIPTION:**

Cast brass valve body. The single unit contains one handle, which sets the desired temperature. The temperature is maintained by a wax element moving a shuttle valve between hot and cold. Includes Hot Limit Safety Stop. Maximum temperature limit is 112°F. Escutcheon plate is stamped brass. Available with 1/2" or 3/4" NPT inlets and outlets. The valve has a high flow rate, ideal for multiple outlet installations.

**PRODUCT FEATURES:**

- Brass Casting:** Highest quality faucet material for durability & long life.
- Wax Thermostatic Unit:** Permits shuttle valve to move between the hot and cold seats to maintain the pre-selected constant water temperature.
- Back to Back Capable:** Hot and cold can be reversed.
- Spring-Loaded Check Valves:** When the hot and cold water enters the fitting, both supplies pass through the spring-loaded check valves to prevent cross flow of hot and cold water.
- Integrated Stop Valves:** Ensure easy cleaning and servicing.
- Adjustable Hot Limit Safety Stop:** Limits the amount of hot water allowed to mix with cold. Reduces the risk of accidental scalding. Maximum water temperature limit may be reduced to 104 or 109 degrees Fahrenheit.

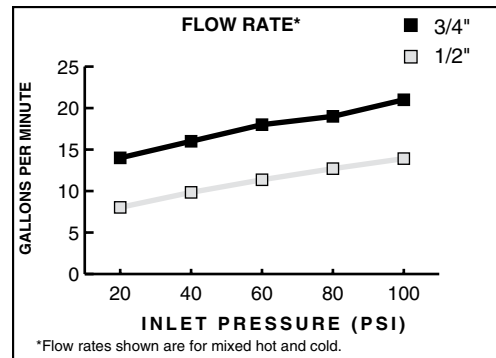
**SUGGESTED SPECIFICATION:**


Central Thermostat shall feature a cast brass valve body. Thermostat shall be a wax element shuttle valve. Shall also feature 1/2" or 3/4" NPT inlets and outlets. Fitting shall be American Standard Model # T420.73\_\_\_\_ (Trim Kit) and R510 or R530 (Rough Valve).

**CODES AND STANDARDS**

These products meet or exceed the following codes and standards:

- ASSE 1016
- ASME A112.18.1
- CSA B125.1




TRIM KITS**	Product Number	Description	Finish Options			
			Polished Chrome	PVD Blackened Bronze	Oil Rubbed Bronze	PVD Satin Nickel
			002	068	224	295
	T420.730*	Central Thermostat Trim Kit. Less volume control. Lever Handle 				
	T420.732*	Central Thermostat Trim Kit. Less volume control. Lever Handle				

ROUGH VALVE BODIES	Product Number	Description
	R510	Rough Valve Body less trim. 1/2" inlets/outlets.
	R530	Rough Valve Body less trim. 3/4" inlets/outlets.

**\*NOTE:**

- When used as a Bath/Shower a separate on/off volume control for each spray outlet must be used.
- Requires twin ell twin ell - (Model #8888.120 - must be ordered separately) for use with diverter spouts.
- Requires separate on/off volume control.

**\*\* ROUGH & TRIM MUST BE ORDERED SEPARATELY.**

 Meets the American Disabilities Act Guidelines and **ANSI A117.1** Requirements for the physically challenged.