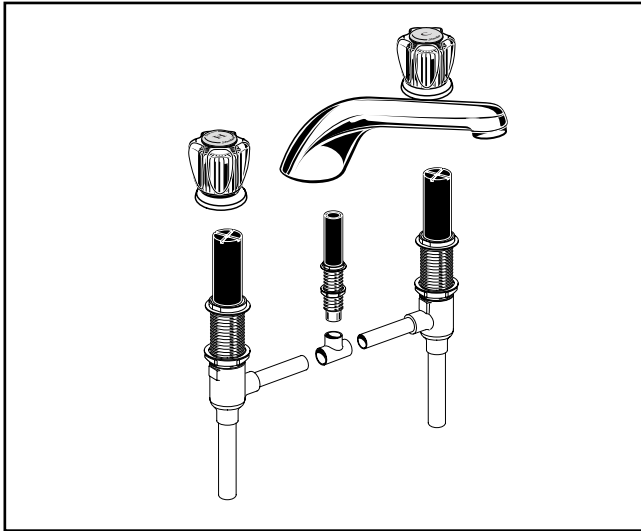


American Standard

UPGRADABLE DECK-MOUNT TUB FILLER



R800 Rough valve shown with Colony Soft T975.400 trim kit.

MODEL NUMBER:

- R800 Deck-Mount Tub Filler**
 Rough valve only. 1/2" sweat inlets.
 For use with Colony Soft, Princeton, Dazzle and Hampton Tub Spouts.
- R810 Deck-Mount Tub Filler**
 10" Fixed Copper to Copper.

1. DECK THICKNESS

TOTAL DECK THICKNESS UP TO 2-1/2"

2. FINISHED DECK

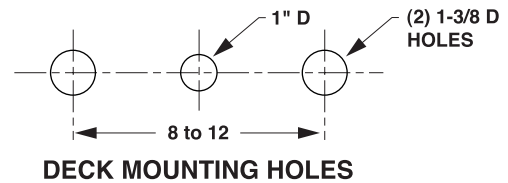
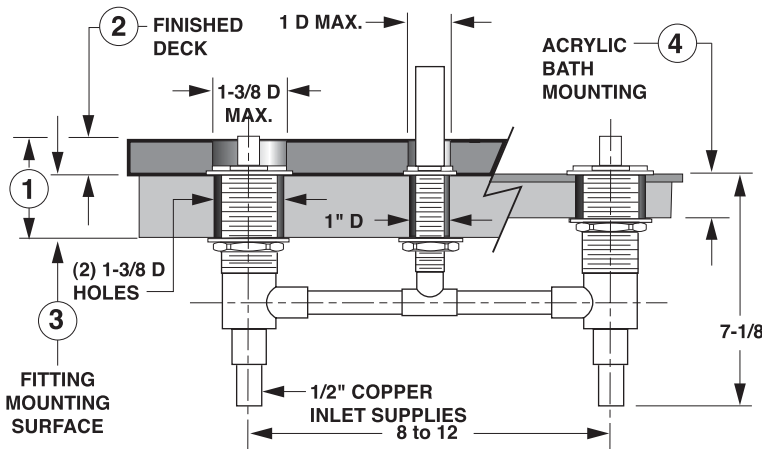
FINISHED DECK VARIABILITY ACCOMMODATES DECKING MATERIAL (TILE, MARBLE, CORIAN@...) TO 1" THICK

3. FITTING MOUNTING SURFACE

ADJUSTABILITY, TO 1-1/2" THICK

4. ACRYLIC BATHS

ADJUSTABILITY, TO 1-1/2" THICK



GENERAL DESCRIPTION:

R800 features separate brass and 1/2" copper waterway below deck provided for adjustable installations, R810 features a 10" fixed copper to copper. Washerless 1/4 turn ceramic disc valve cartridges. Total rough-in up to 2-1/2". Rough valve body provides 1-1/2" for rough deck installation. Trim kits provide an additional 1" adjustability for finished deck. Valve body will accept a variety of decorative spouts and handles.

CODES AND STANDARDS

These products meet or exceed the following codes and standards:

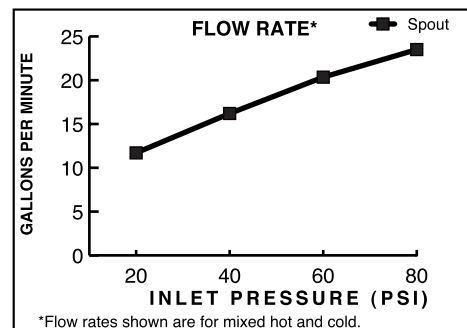
ASME A112.18.1
CSA B 125

PRODUCT FEATURES:

Brass Construction: Durable. Ideal for prolonged contact with water.

Ceramic Disc Valve Cartridges: Assures a lifetime of drip-free performance.


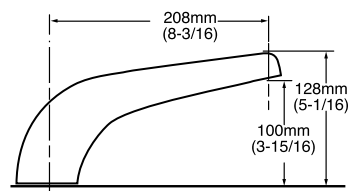


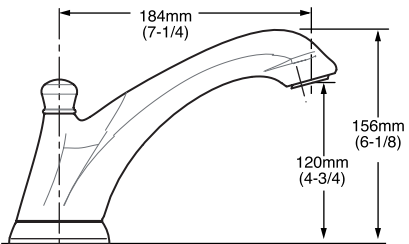
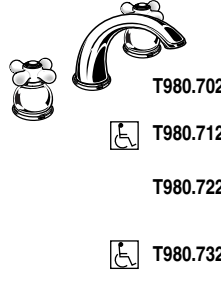
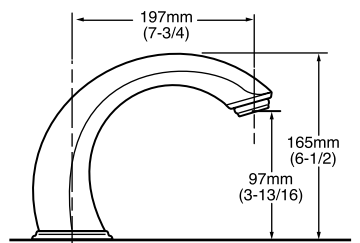
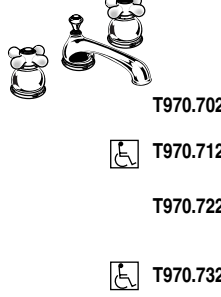

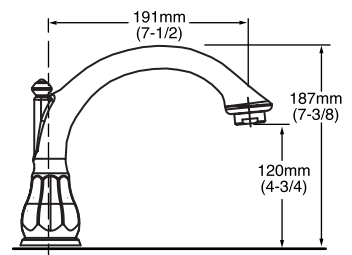
Many Trim Options: Wide range of handle & spout styles.



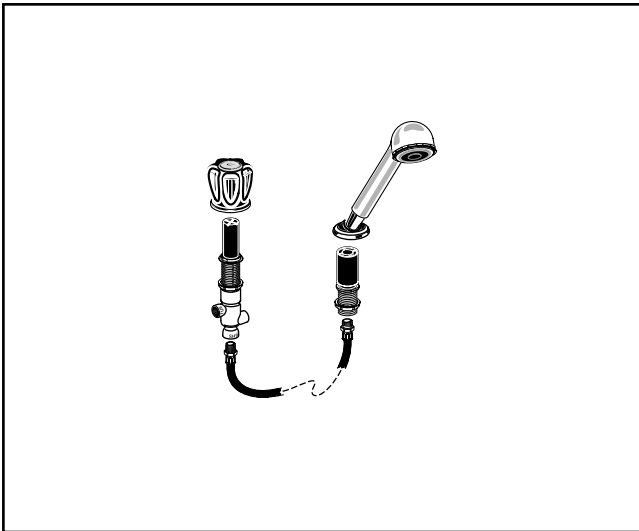
SUGGESTED SPECIFICATION:

Two handle deck-mount tub filler shall feature cast brass construction with brass and copper waterway. Shall also feature 1/4 turn washerless ceramic disc valve cartridges that are reversible for use with round or lever handles. Fitting shall be American Standard Model # _____ and trim kit # _____.

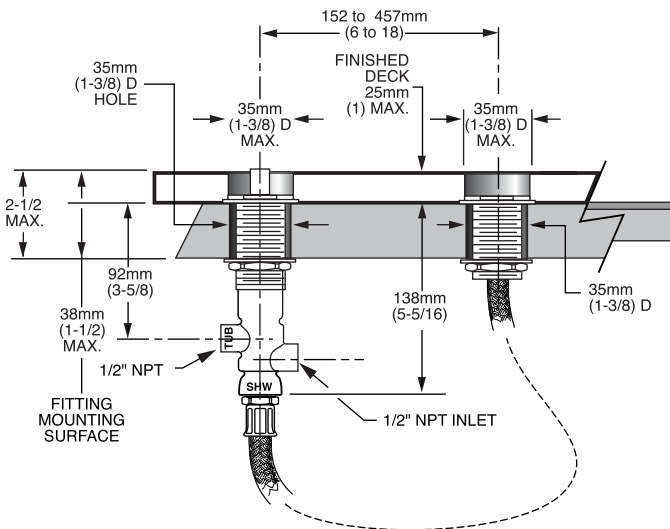
TRIM KITS FOR R800 Rough valve bodies

Trim Kit	Model # Description	Finishes	Roughing-In Dimensions
 <p>T975.400</p>	<p>COLONY SOFT TRIM KIT</p> <ul style="list-style-type: none"> • 8-1/2" long Cast brass tub spout • Acrylic Handles • LESS Valve 	<p>.002 Polished Chrome .099 Polished Brass (PVD) .299 Pol. Chrome/Brass (PVD) Mix</p>	 <p>208mm (8-3/16) 128mm (5-1/16) 100mm (3-15/16)</p>
 <p>T975.500</p>	<p>COLONY SOFT TRIM KIT</p> <ul style="list-style-type: none"> • 8-1/2" long cast brass tub spout • Metal Lever Handles • LESS Valve 	<p>.002 Polished Chrome .099 Polished Brass (PVD) .299 Pol. Chrome/Brass (PVD) Mix</p>	
 <p>T508.900</p>	<p>PRINCETON TRIM KIT</p> <ul style="list-style-type: none"> • Brass Crescent slip-fit spout • Metal Lever Handles • LESS Valve 	<p>.002 Polished Chrome .295 Satin (PVD)</p>	 <p>184mm (7-1/4) 156mm (6-1/8) 120mm (4-3/4)</p>
 <p>T980.702 T980.712 T980.722 T980.732</p>	<p>HAMPTON TRIM KIT</p> <ul style="list-style-type: none"> • Brass Crescent slip-fit spout • LESS Valve • Porcelain Cross Handles • Porcelain Lever Handles • Metal Cross Handles • Metal Lever Handles <p><i>* Order 7980.7XX. for Valve & Trim Complete</i></p>	<p>.002 Polished Chrome .099 Polished Brass (PVD) .295 Satin (PVD) .002 Polished Chrome .068 Blackened Bronze (PVD) .099 Polished Brass (PVD) .221 Satin (PVD)/Chrome Mix .295 Satin (PVD) .297 Satin/Brass Mix (PVD) .299 Pol. Chrome/Brass (PVD) Mix</p>	 <p>197mm (7-3/4) 165mm (6-1/2) 97mm (3-13/16)</p>
 <p>T970.702 T970.712 T970.722 T970.732</p>	<p>HAMPTON TRIM KIT</p> <ul style="list-style-type: none"> • Cast brass slip-fit spout • LESS Valve • Porcelain Cross Handles • Porcelain Lever Handles • Metal Cross Handles • Metal Lever Handles <p><i>* Order 7970.7XX. for Valve & Trim Complete</i></p>	<p>.002 Polished Chrome .099 Polished Brass (PVD) .295 Satin (PVD) .002 Polished Chrome .068 Blackened Bronze (PVD) .099 Polished Brass (PVD) .221 Satin (PVD)/Chrome Mix .295 Satin (PVD) .297 Satin/Brass Mix (PVD) .299 Pol. Chrome/Brass (PVD) Mix</p>	
 <p>T028.900</p>	<p>DAZZLE TRIM KIT</p> <ul style="list-style-type: none"> • Cast brass slip-fit spout • Metal Lever Handles • LESS Valve 	<p>.002 Polished Chrome .295 Satin (PVD)</p>	 <p>191mm (7-1/2) 187mm (7-3/8) 120mm (4-3/4)</p>

American Standard



R890 Diverter Rough valve shown with Colony Soft T900.300 trim kit.



GENERAL DESCRIPTION:

Deck mount diverter valve with durable cast brass construction. 1/2" N.P.T. inlets and outlets. Adjustable total rough-in up to 2-1/2" max., 1-1/2" for rough deck, and 1" additional for finished deck. Diverter valve only (not an On/Off valve) must be installed with separate Deck Mount Tub Filler Valve. All personal showers with 2.5GPM/9.5L/min. max. flow.

SUGGESTED SPECIFICATION:

Deck-mount tub filler diverter valve shall feature cast brass construction and an adjustable roughin up to 2-1/2". Fitting shall be American Standard Model # _____. Trim kit #_____.

UPGRADABLE DECK-MOUNT TUB FILLER WITH DIVERTER AND PERSONAL SHOWER

MODEL NUMBER:

❑ **R890 Diverter and Personal Rough Valve**
Rough valve only.

❑ **T990.300 Colony Soft Trim Kit**
Acrylic Diverter handle, Personal Shower and holder. LESS valve.



❑ **T990.500 Colony Soft Trim Kit**
Metal Lever Diverter handle, Personal Shower and holder. LESS valve.



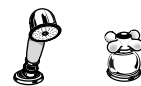
❑ **T508.990 Princeton Trim Kit**
Metal Lever Diverter handle, Personal Shower and holder. LESS valve.



❑ **T028.990 Dazzle Trim Kit**
Metal Lever Diverter handle, Personal Shower and holder. LESS valve.



❑ **T991.702 Hampton Trim Kit**
Porcelain Cross Diverter handle, Personal Shower and holder. LESS valve.



❑ **T991.712 Hampton Trim Kit**
Porcelain Lever Diverter handle, Personal Shower and holder. LESS valve.



❑ **T991.722 Hampton Trim Kit**
Metal Cross Diverter handle, Personal Shower and holder. LESS valve.



❑ **T991.732 Hampton Trim Kit**
Metal Lever Diverter handle, Personal Shower and holder. LESS valve.



PRODUCT FEATURES:

Brass Construction: Ideal for prolonged contact with water.

Many trim options: Wide range of styles.

Choice of Finishes: Wide range of durable finishes.

Simple Installation: Fast and Easy one person installation.










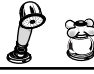




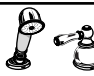
UPGRADABLE
DECK-MOUNT TUB FILLER
WITH CONVENTIONAL SPOUT

CODES AND STANDARDS


These products meet or exceed the following codes and standards:

ASME A112.18.1
CSA B 125

Check local plumbing codes. Some installations may require a vacuum breaker.

	Product Number	Description	Finish Options						
			Polished Chrome	PVD Blackened Bronze	PVD Polished Brass	Satin (PVD)/Chrome mix.	(PVD) Satin	Satin/Brass (PVD) mix.	Chr/Brass (PVD) mix.
			002	068	099	221	295	297	299
	R890	Rough valve only.	N/A	N/A	N/A	N/A	N/A	N/A	N/A
	 T990.300	Acrylic Diverter handle. Personal shower and holder. Less valve.		N/A		N/A	N/A	N/A	
	 T990.500	Metal Lever Diverter handle. Personal shower and holder. Less valve.		N/A		N/A	N/A	N/A	
	 T990.500	Metal Lever Diverter handle. Personal shower and holder. Less valve.		N/A	N/A	N/A		N/A	N/A
	 T028.990	Metal Lever Diverter handle. Personal shower and holder. Less valve.		N/A	N/A	N/A		N/A	N/A
	 T991.702	Porcelain Cross Diverter handle. Personal shower and holder. Less valve.		N/A		N/A		N/A	N/A
	 T991.712	Porcelain Lever Diverter handle. Personal shower and holder. Less valve.		N/A		N/A		N/A	N/A
	 T991.722	Metal Cross Diverter handle. Personal shower and holder. Less valve.		N/A		N/A			N/A
	 T991.732	Metal Lever Diverter handle. Personal shower and holder. Less valve.							

N/A = NOT AVAILABLE

 Meets the American Disabilities Act Guidelines and **ANSI A117.1** Requirements for the physically challenged.