

Standard Collection WASHSTAND

- Period reproduction of classic dry sink washstand.
- Turned leg detailing with lower drawer storage includes chrome hardware (installed) extra satin hardware included.
- Washstand available in White or Warm Walnut finishes
- Uses Standard Collection oval pedestal top with Standard washstand
- Console/pedestal top with faucet holes on 8" (203mm) centers
- Recommended design-matched 8" spread faucet #2881 available in chrome or satin finish
- Right Height™ for greater comfort during use
- **Design matched to Standard Collection toilet**
- 9440.020** Washstand in White finish and Standard Washstand/Pedestal top 8" (203mm) centers
- 9440.329** Washstand in Warm Walnut finish and Standard Washstand/Pedestal top 8" (203mm) centers



Separate Components:

- 0283.008** Washstand/Pedestal top 8" (203mm) centers
- 9441.000.020** Washstand Only (White)
- 9441.000.329** Washstand Only (Warm Walnut)

Nominal Dimensions:

26-3/4" x 20" x 36" (680 x 508 x 914mm)

Bowl sizes:

16-3/4" (425mm) wide,
11-1/4" (286mm) front to back,
6-1/4" (159mm) deep

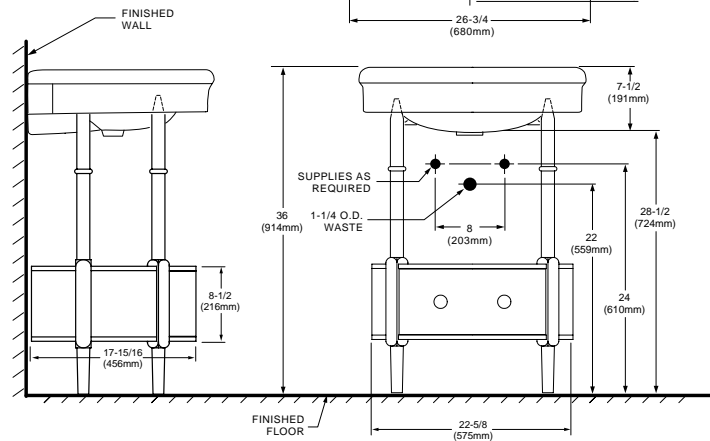
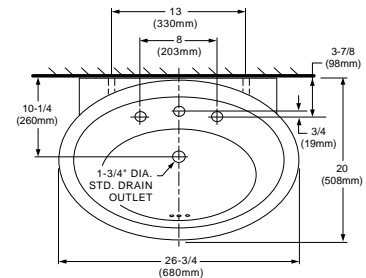
Compliance Certifications -

Meets or Exceeds the Following Specifications:

- ASME A112.19.9M for Non-Vitreous Ceramic Fixtures
- CAN/CSA B45 Series

To Be Specified

- Washstand Color: White or Warm Walnut
- Recommended Faucet: 8" spread No. 2881
- Faucet Finish: Chrome or Satin
- Supplies:
- 1-1/4" Trap: 752683-495
- P-Trap Finish:



NOTES:

DIMENSIONS SHOWN FOR LOCATION OF SUPPLIES AND "P" TRAP ARE SUGGESTED. ANCHOR SCREWS FOR LAVATORY AND PEDESTAL NOT INCLUDED. FITTINGS NOT INCLUDED AND MUST BE ORDERED SEPARATELY. PROVIDE SUITABLE REINFORCEMENT FOR ALL WALL SUPPORTS.

IMPORTANT: Dimensions of fixtures are nominal and may vary within the range of tolerances established by ANSI Standard A112.19.9M.

These measurements are subject to change or cancellation. No responsibility is assumed for use of superseded or voided pages.