

REMINISCENCE™ SOAKING BATH TUB

- 2908.020 with White Textured Exterior
- 2908.178 with Black Textured Exterior

- Acrylic with DuraBond™ construction
- Vintage "slipper tub" design
- Generous back support with raised headrest
- Molded arm rests
- Sculptured rim designed to match chinaware fixtures
- End drain outlet
- Textured tub bottom pattern
- Integral sump support and foot mounting frame
- Two distinctive foot design options

Nominal Dimensions:

1832 x 953 x 692mm
(72-1/8" x 37-1/2" x 27-1/4")

Compliance Certifications -

Meets or Exceeds the Following Specifications:

- ANSI Z124.1 for Plastic Bathtubs
- ASTM E162 for Flammability
- NFPA 258 for Smoke Density

SEE REVERSE FOR ROUGHING-IN DIMENSIONS
AND PRODUCT SPECIFICATIONS

To Be Specified - Required:

- Color: (Specify color)
- Reminiscence Feet: 9110.039 (specify finish)
- Reminiscence Ball & Claw Feet: 9111.039 (specify finish)
- Reminiscence Bath Filler with Personal Shower: 9112.017 (specify finish)
- Reminiscence Bathtub Supplies: 9114.012 (specify finish)
- Reminiscence Drain & Stopper: 1591.170 (specify finish)

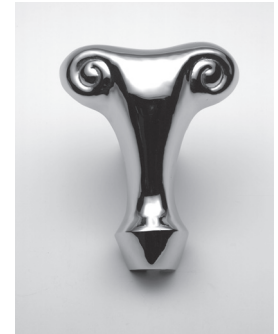
For color/finish availability and other faucet choices, please see the Product Selector and Pricing Guide.



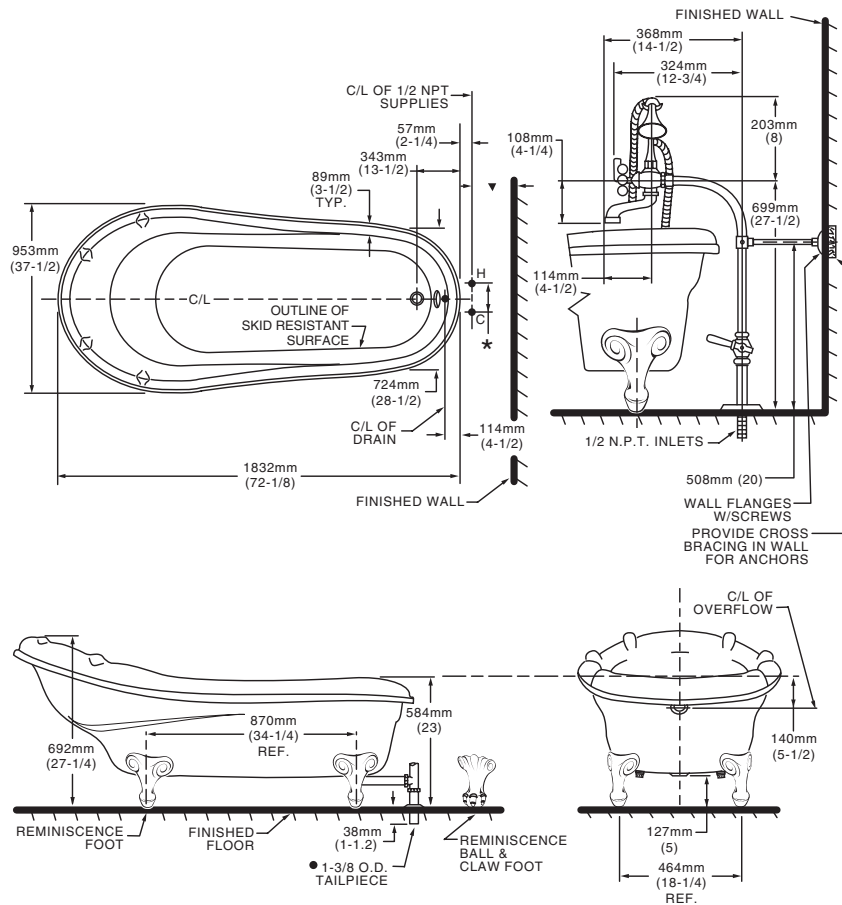
Shown with Reminiscence Foot No. 9111.039,
Filler No. 9112.017, Supplies No. 9114.012, and
Drain No. 1591.170 (not included)



Reminiscence
Ball & Claw Foot
No. 9111.039



Reminiscence Foot
No. 9110.039



GENERAL SPECIFICATIONS FOR 2908 BATHING POOL	
INSTALLED SIZE	72-1/8 x 37-1/2 x 27-1/4 In. (1832mm x 953 mm x 692mm)
WEIGHT	130 Lbs. (59 Kg.)
WEIGHT w/WATER	413 Lbs. (186 Kg.)
GAL TO OVERFLOW	34 Gal. (129 L)
BATHING WELL AT SUMP	18 x 42 In. (457mm x 1067mm)
BATHING WELL AT RIM	67 x 31 In. (1702 x 787mm)
WATER DEPTH TO OVERFLOW	14 In. (356 mm)
FLOOR LOADING (PROJECTED AREA)	22 LBS./Sq. Ft. (107 Kgs/Sq. m.)
PTS.	23.8
CUBE (FT ³)	48.3

NOTES:

- * REFER TO FITTING INSTALLATION INSTRUCTIONS FOR SUPPLY DIMENSION.
 - TRANSITION SEAL PROVIDED FOR 1 1/2" O.D. WASTE CONNECTION.
 - ▼ LOCATION OF SUPPLIES FROM FINISHED WALL 87MM (3-1/2") MINIMUM - 340MM (13 3/8) MAX.
- 2908.020 WITH WHITE TEXTURED EXTERIOR.
2908.178 WITH BLACK TEXTURED EXTERIOR.
- REFER TO INSTALLATION INSTRUCTIONS SUPPLIED WITH BATH FOR ADDITIONAL INFORMATION.
FITTINGS NOT INCLUDED AND MUST BE ORDERED SEPARATELY.
PROVIDE SUITABLE REINFORCEMENT FOR ALL FLOOR AND WALL SUPPORTS.

IMPORTANT: Dimensions of fixtures are nominal and may vary within the range of tolerances established by ANSI Standards Z124.1. These measurements are subject to change or cancellation. No responsibility is assumed for use of superseded or voided leaflet.