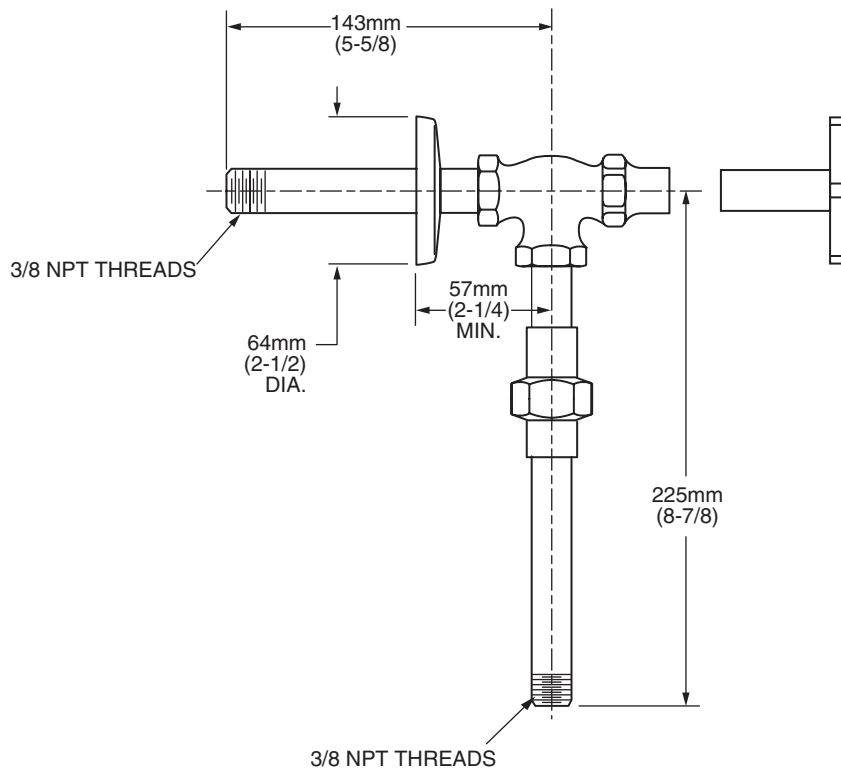


MODEL NUMBER:

- **7544.018 Wall Supply - 3/8"**
With loose key stop. For use with 7679.012 pedal valve.



GENERAL DESCRIPTION:

Brass wall supply with loose key stop, union, 3/8" NPT nipples. Wall mounted. Chrome finish. Can be used with pedal valve 7679.012.

PRODUCT FEATURES:

- Brass Construction:** Durable - excellent in high use applications.
- Brass Supply Valve:** Brass loose key stop valve. Renewable seat. Wall mounted.
- Polished Chrome Finish:** Excellent in commercial applications.

SUGGESTED SPECIFICATION

Wall mounted brass supply valve shall feature a loose key stop, union and nipples. Shall feature Polished Chrome finish. Fitting shall be American Standard Model# 7544.018.