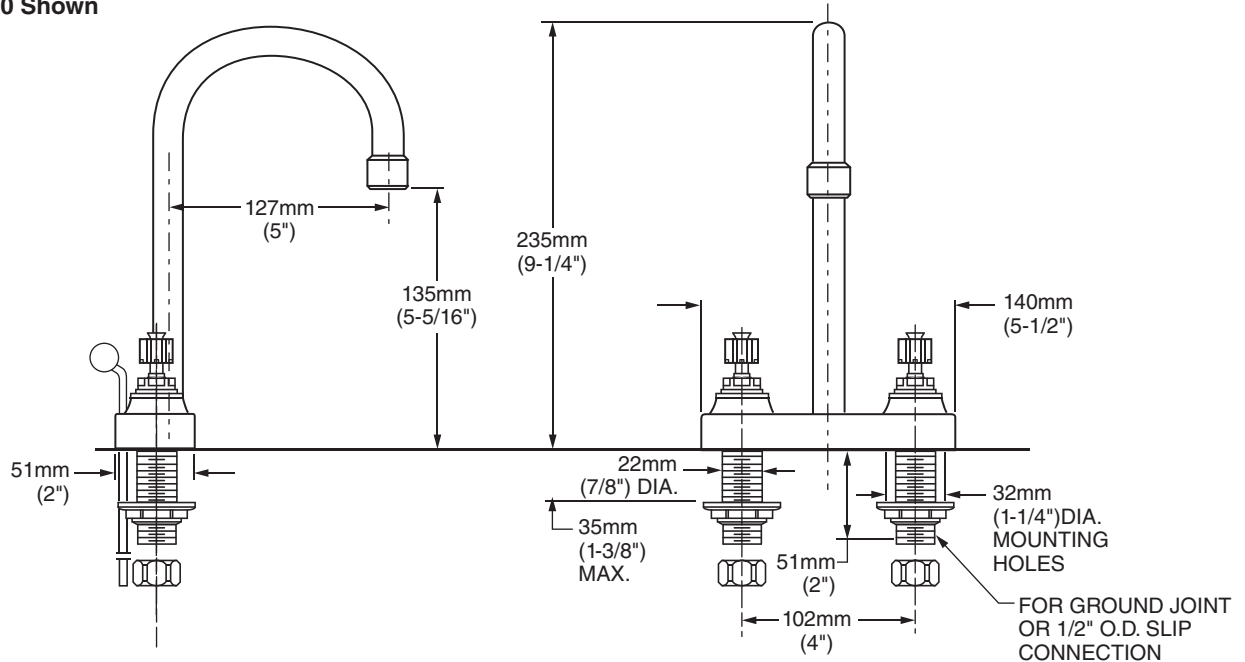


7401.000 Shown

MODEL NUMBER:

- 7400.000 Centerset Lavatory**
 Rigid gooseneck spout. 1.5 gpm pressure compensating aerator. Less drain. Less pop-up hole. Less handles.
- 7401.000 Centerset Lavatory**
 Rigid gooseneck spout. 1.5 gpm pressure compensating aerator. Pop-up drain. Less handles.
- 7402.000 Centerset Lavatory**
 Rigid gooseneck spout. 1.5 gpm pressure compensating aerator. Grid strainer drain. Less handles.

Handles must be ordered separately.



GENERAL DESCRIPTION:

Durable cast brass construction. Amarisil 1/4 turn washerless ceramic disc valve cartridges. Brass spout. One-half inch male inlet shanks with brass coupling nuts and shank nuts. All brass drain body with 1-1/4" (32mm) tailpiece. 1.5 gpm/5.7L/min. maximum flow rate.

NOT RECOMMENDED FOR USE ON 2-HOLE KITCHEN OR BAR SINKS.

PRODUCT FEATURES:

Pressure Compensating Aerator: Provides a constant water flow of 1.5 gpm throughout the pressure range.

Solid Brass Construction: Durable - Excellent in high use applications. Ideal for prolonged contact with water.

Ceramic Disc Valve Cartridges: Assures a lifetime of drip-free performance.

Lead Free: Faucet contains ≤ 0.25% total lead content by weighted average.

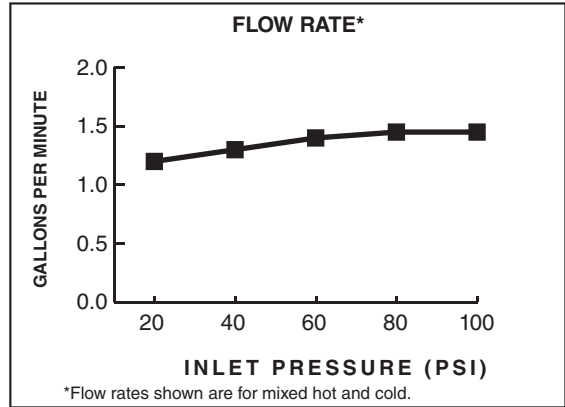
SUGGESTED SPECIFICATION:

4" centerset lavatory faucet shall be cast brass construction with all brass shank nuts and coupling nuts. Shall feature water-conserving 1.5 gpm/5.7L/min. pressure compensating aerator. Shall also feature 1/4 turn washerless ceramic disc valve cartridges. Fitting shall be American Standard Model # 740_.000.____ and handle kit # 0000.____.____.

CODES AND STANDARDS

These products meet or exceed the following codes and standards:

- ASME A112.18.1
- CSA B 125
- NSF 61/Section 9
- NSF 372

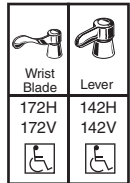


Product Number	Description	Finish
		Polished Chrome
		002
7400.000	Centerset lavatory faucet. 1.5 gpm/5.7L/min pressure compensating aerator. Less drain. Less handles.	
7401.000	Centerset lavatory faucet. 1.5 gpm/5.7L/min pressure compensating aerator. Pop-up drain. Less handles.	
7402.000	Centerset lavatory faucet. 1.5 gpm/5.7L/min pressure compensating aerator. Grid strainer drain. Less handles.	

Handles must be ordered separately.



The above fittings will accept the following Amarelis-Series handles.



Other Aerators Available:

Part Suffix	Description
LV22	2.2 gpm (8.3 Lpm) Vandal-Resistant Non-Aerated Laminar Flow Outlet
V22	2.2 gpm (8.3 Lpm) Vandal-Resistant Aerator
A15LV	Anti-Microbial 1.5 gpm (5.7 Lpm) Vandal-Resistant Non-Aerated Laminar Flow Outlet
LV15	1.5 gpm (5.7 Lpm) PCA Vandal-Resistant Non-Aerated Laminar Flow Outlet
V15	.5 gpm (5.7 Lpm) PCA Vandal-Resistant Aerator
LV10	1.0 gpm (3.8 Lpm) PCA Vandal-Resistant Non-Aerated Laminar Flow Outlet
V10	1.0 gpm (3.8 Lpm) PCA Vandal-Resistant Aerator
V05	0.5 gpm (1.9 Lpm) PCA Vandal-Resistant Non-Aerated Spray
V035**	0.35 gpm (1.3 Lpm) PCA Vandal-Resistant Non-Aerated Spray

*PCA - Pressure Compensating

**Meets Cal Green Code