

American Standard

CADET® 3 RIGHT HEIGHT™ 10" RI ELONGATED TOILET with the FLUSH RIGHT™ SYSTEM
VITREOUS CHINA

CADET® 3 RIGHT HEIGHT™ 10" RI ELONGATED TOILET with the FLUSH RIGHT™ SYSTEM

2386.010

- Vitreous china
- Low-consumption (6.0 Lpf/1.6 gpf)
- EverClean™ anti-microbial ceramic glaze
- Featuring the **Flush Right™ System**
- 16-1/2" rim height for accessible application
- Elongated siphon action jetted bowl
- Fully-glazed 2-1/8" trapway with 2" ball pass
- Generous 9" x 8" water surface area
- Close-coupled tank with flat tank cover for superior storage
- Oversized 3" flush valve with chemical resistant flapper
- Chrome trip lever
- New Speed Connect™ tank-to-bowl coupling system
- New sanitary dam on bowl with four point tank stabilization
- 2 color-matched bolt caps
- 100% factory flush tested

3016.016 Right Height™ Elongated Bowl

4019.016 Tank

Nominal Dimensions:

724 x 432 x 768mm
(28-1/2" x 17" x 30-1/4")

Fixture only, seat and supply by others

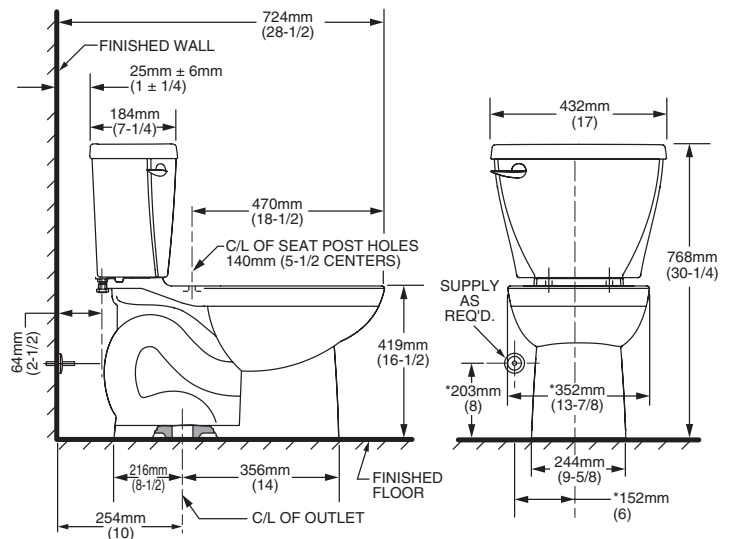
Compliance Certifications -

Meets or Exceeds the Following Specifications:

- ASME A112.19.2M for Vitreous China Fixtures - includes Flush Performance, Ball Pass Diameter, Trap Seal Depth and all Dimensions
- Los Angeles Department of Water and Power Supplementary Purchase Specification for Non-Adjustability

To Be Specified:

- Color: White Bone Silver Linen Black
- Seat: #5325.010 Elongated Champion® Slow Close solid plastic seat and cover with easy lift off feature
- Seat: #5284.016 Elongated EverClean™ anti-microbial solid plastic seat and cover
- Seat: #5311.012 Elongated Laurel molded wood seat and cover
- Supply with stop:



NOTES:

THIS TOILET IS DESIGNED TO ROUGH-IN AT A MINIMUM DIMENSION OF 254MM (10") FROM FINISHED WALL TO C/L OF OUTLET. SUPPLY NOT INCLUDED WITH FIXTURE AND MUST BE ORDERED SEPARATELY. * DIMENSION SHOWN FOR LOCATION OF SUPPLY IS SUGGESTED.

IMPORTANT: Dimensions of fixtures are nominal and may vary within the range of tolerances established by ANSI Standard A112.19.2.

These measurements are subject to change or cancellation. No responsibility is assumed for use of superseded or voided pages



MEETS THE AMERICANS WITH DISABILITIES ACT GUIDELINES AND ANSI A117.1 REQUIREMENTS FOR ACCESSIBLE AND USABLE BUILDING FACILITIES-CHECK LOCAL CODES.



Cadet® 3 Toilet
featuring the Flush Right™ system