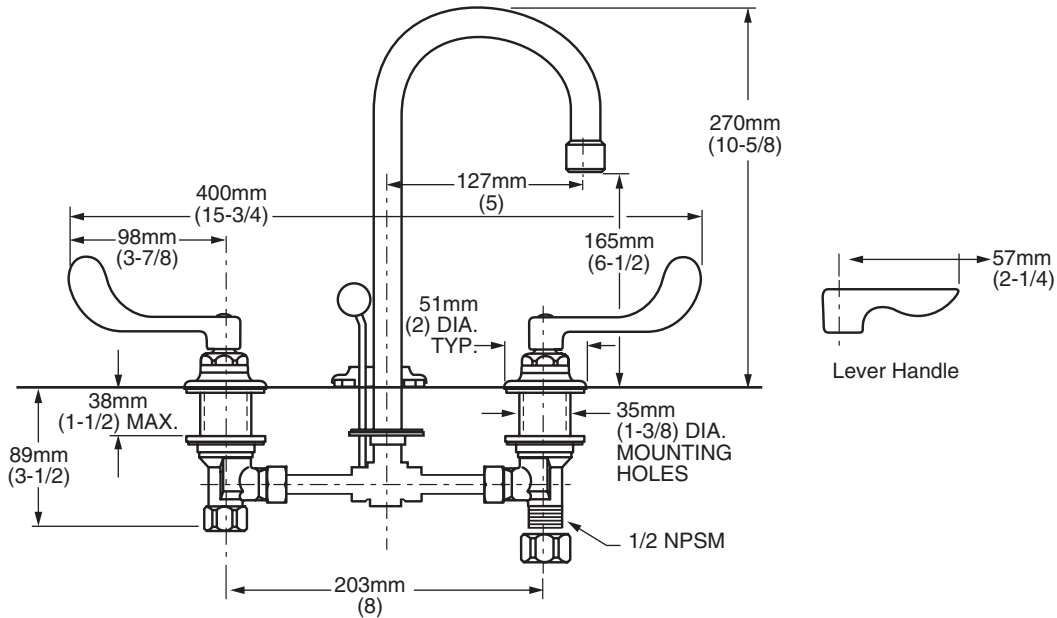


6531.170 Shown.

MODEL NUMBER:*

- ❑ **6530.170 Widespread Lavatory**
Wrist blade handles. Less drain and pop-up hole.
- ❑ **6531.170 Widespread Lavatory**
Wrist blade handles. Pop-up drain.
- ❑ **6532.170 Widespread Lavatory**
Wrist blade handles. Grid strainer drain.
- ❑ **6530.140 Widespread Lavatory**
Lever handles. Less drain and pop-up hole.
- ❑ **6531.140 Widespread Lavatory**
Lever handles. Pop-up drain.
- ❑ **6532.140 Widespread Lavatory**
Lever handles. Grid strainer drain.



GENERAL DESCRIPTION:

Durable cast brass construction. Cast brass valve bodies with 8" rigid copper connection with compression fittings. 1/2" male threaded inlet shanks with brass coupling nuts. 1/4 turn ceramic disc valve cartridges that are reversible for use on both hot and cold sides. Choice of Lever or Wrist Blade handles with blue & red color indexes. All brass drain bodies with 1 1/4" (32mm) tailpieces (on applicable models). 2.2 gpm/8.3L/min. maximum flow rate. Optional aerators available. Vandal Resistant models are available and include Vandal Resistant handles and spray.

PRODUCT FEATURES:

- Solid Brass Construction:** Durable - Excellent in high use applications. Ideal for prolonged contact with water.
- Ceramic Disc Valve Cartridges:** Assures a lifetime of drip-free performance.
- Low Lead:** Meets NSF Standard 61/Section 9 & Prop 65 lead requirements.
- Choice of Handle Configurations:** ADA approved Lever or Wrist Blade Handles.

SUGGESTED SPECIFICATION:

Two handle widespread lavatory faucet shall feature cast brass valve bodies with 8" rigid copper connection. Shall also feature 1/4 turn washerless ceramic disc valve cartridges that are reversible for use on both "Hot" and "Cold" sides. Fitting shall be American Standard Model # 653____.002.

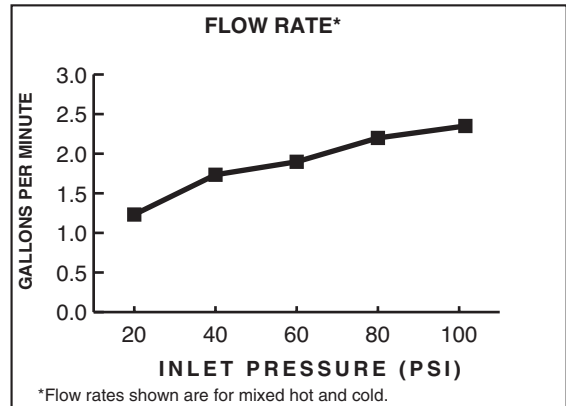


MONTERREY™
TWO-HANDLE 8" WIDE SPREAD LAVATORY FAUCET
 WITH GOOSENECK SPOUT

CODES AND STANDARDS


These products meet or exceed the following codes and standards:

- ASME A112.18.1**
- CSA B 125**
- NSF 61/Section 9**



Product Number	Description	Finish
		Polished Chrome 002
6530.170	Widespread Lavatory. Wrist Blade Handles. Less drain and pop-up hole.	
6531.170	Widespread Lavatory. Wrist Blade Handles. Pop-up drain.	
6532.170	Widespread Lavatory. Wrist Blade Handles. Grid strainer drain.	
6530.140	Widespread Lavatory. Lever Handles. Less drain and pop-up hole.	
6531.140	Widespread Lavatory. Lever Handles. Pop-up drain.	
6532.140	Widespread Lavatory. Lever Handles. Grid strainer drain.	

Note: For Vandal Resistant models add "VP" following the product number.
 Example - 6530.170VP.002 = Widespread Lavatory. Vandal Resistant Wrist Blade Handles. Less drain and pop-up hole, in Polished Chrome finish.

 Meets the American Disabilities Act Guidelines and **ANSI A117.1** Requirements for the physically challenged.