

GLENBROOK URINAL

- Vitreous china
- Low Consumption (3.8 Lpf/1.0 gpf)
- Flushing rim
- Siphon jet flush action
- 3/4" inlet spud
- Outlet connection threaded 2" inside (NPTF)
- Wall hangers and bolts supplied
- Fixture only
- Meets NAFTA requirements

6205.010 Top spud

Nominal Dimensions:

361 x 295 x 542mm
(14-1/4" x 11-5/8" x 21-3/8")

Recommended working pressure – between 20 psi at valve when flushing and 80 psi static
Minimum flowing water pressure of 15 PSI is required at valve

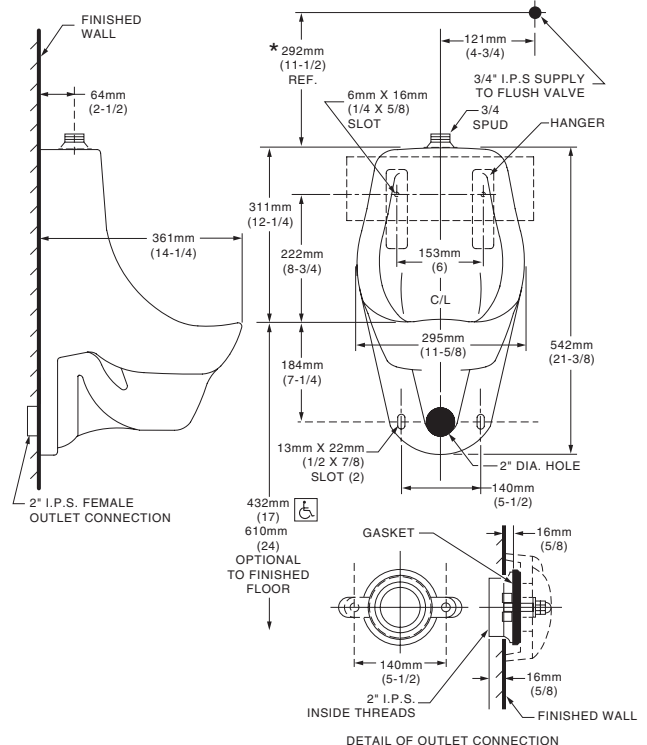
Compliance Certifications -

Meets or Exceeds the Following Specifications:

- ASME A112.19.2 for Vitreous China Fixtures

To Be Specified:

- Color: White Bone Linen
- Flush Valve:
 - American Standard Selectronic™ #6063.051.002 DC Power (Top Spud)



NOTES:

* VARIABLE - CHECK WITH MANUFACTURER OF FLUSHVALVE FOR PROPER ROUGHING-IN DIMENSIONS
FLUSH VALVE NOT INCLUDED WITH FIXTURE AND MUST BE ORDERED SEPARATELY.
PROVIDE SUITABLE REINFORCEMENT FOR ALL WALL SUPPORTS.

IMPORTANT: Dimensions of fixtures are nominal and may vary within the range of tolerances established by ANSI Standard A112.19.2. These measurements are subject to change or cancellation. No responsibility is assumed for use of superseded or voided pages.

MEETS THE AMERICANS WITH DISABILITIES ACT GUIDELINES AND ANSI A117.1 ACCESSIBLE AND USEABLE BUILDINGS AND FACILITIES - CHECK LOCAL CODES.

- When installed so top of rim is 432mm (17") from finished floor.