

MODEL NUMBER:

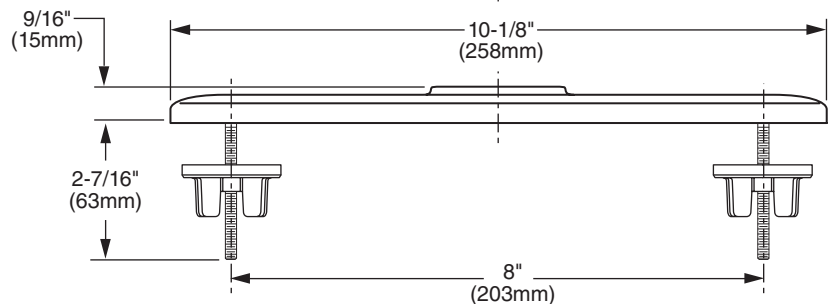
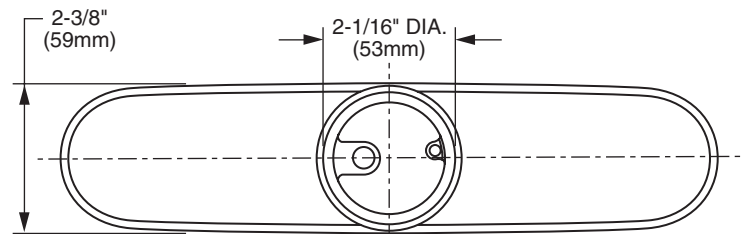
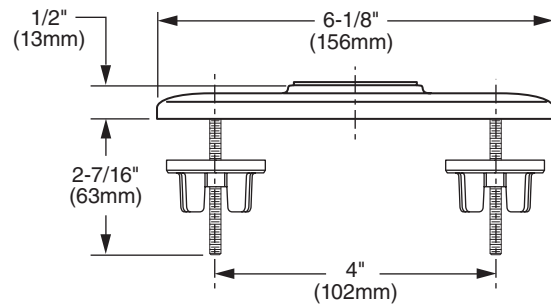
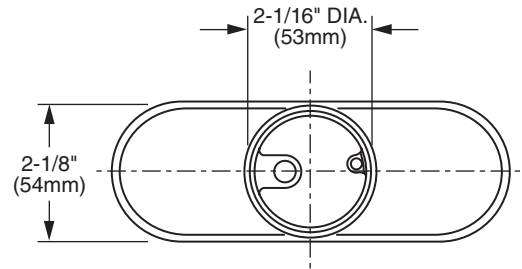
- ☐ **605P.400 4" Deck Plate**
Forged brass with 1/4" fixation bolts.
Polished Chrome finish.
- ☐ **605P.800 8" Deck Plate**
Forged brass with 1/4" fixation bolts.
Polished Chrome finish.

GENERAL DESCRIPTION:

Forged brass deck plate for use with single post Selectronic & Metering faucets. Center fixation ring prevents the faucet spout from rotating. 1/4" fixation bolts with quick spin nuts secure the plate to the deck.

PRODUCT FEATURES:

- For use with single post Selectronic & Metering faucets
- Forged brass construction
- Center fixation ring prevents the faucet spout from rotating
- 1-1/4" fixation bolts with quick spin nuts secure the plate to the deck
- **4" Deck Plate** Dimensions: 6-1/8" x 2-1/8" x 1/2" (156 x 54 x 13mm)
- **8" Deck Plate** Dimensions: 10-1/8" x 2-3/8" x 9/16" (258 x 59 x 15mm)



SUGGESTED SPECIFICATION:

The deck plate shall be forged brass construction with center fixation ring to prevent the faucet spout from rotating. 1/4" fixation bolts with quick spin nuts. Fitting shall be American Standard Model # 605P_00.002.