

**RETROSPECT® COLLECTION  
ROUND FRONT TOILET**

- ❑ **2408.016**
  - Vitreous china
  - Low-consumption (6.0 Lpf/1.6 gpf)
  - Round front siphon action jetted bowl with fully glazed 2" trapway
  - AquaForce flushing technology
  - Antique Chrome trip lever
  - Sanitary bar on bowl
  - 2 color matched bolt caps
  - 100% factory flush tested
  - Design coordinated to Retrospect Collection Sinks

- ❑ **3111.216** Bowl
- ❑ **4393.016** Tank



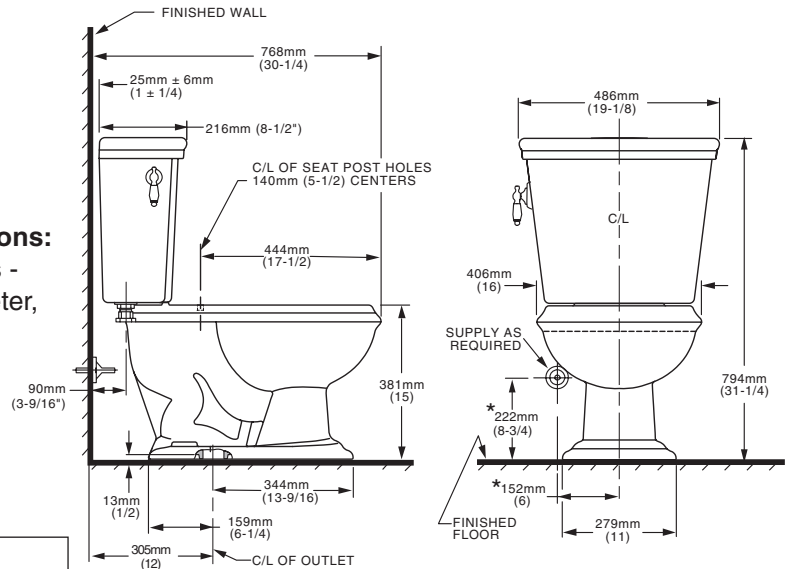
**Nominal Dimensions:**

768 x 486 x 794mm  
(30-1/4" x 19-1/8" x 31-1/4")

Fixture only, seat and supply by others

**Compliance Certifications -  
Meets or Exceeds the Following Specifications:**

- ASME A112.19.2M for Vitreous China Fixtures - includes Flush Performance, Ball Pass Diameter, Trap Seal Depth and all Dimensions



**To Be Specified:**

- ❑ Color:
- ❑ Seat: American Standard #5322.011 "Rise and Shine" solid plastic, closed front, round front seat with cover.
- ❑ Alternate Seat: American Standard #5308.014 "Laurel" molded closed front seat with cover.
- ❑ Supply with stop:

**NOTES:**  
THIS COMBINATION IS DESIGNED TO ROUGH-IN AT A MINIMUM DIMENSION OF 305MM (12") FROM FINISHED WALL TO C/L OF OUTLET.  
\* DIMENSION SHOWN FOR LOCATION OF SUPPLY IS SUGGESTED. SUPPLY NOT INCLUDED WITH FIXTURE AND MUST BE ORDERED SEPARATELY.

**IMPORTANT:** Dimensions of fixtures are nominal and may vary within the range of tolerance established by ANSI Standard A112.19.2. These measurements are subject to change or cancellation. No responsibility is assumed for use of superseded or voided pages.