

**AquaWash® Slim Non-Electric SpaLet®  
Bidet Seat With Manual Operation**

**8033A65G.020 Elongated Manual SpaLet® Bidet seat**

- Non-electric bidet feature with adjustable spray volume.
- Independent self-cleaning dual nozzles for effective front and back cleansing
- "No Slam" slow-close seat and lid for user convenience
- One-push removable seat for easier cleaning of the seat and bowl.
- "Nozzle Shutter" keeps nozzles clean and hygienic
- Slim 2-3/16 (55 mm) seat height
- Ergonomically designed handle for intuitive operation
- Includes mounting hardware, water supply hose and seat.
- Fits most conventional elongated toilets
- Removable nozzle tips for additional cleaning.



**AVAILABLE REPLACEMENT PARTS**

- 760-01-0009.0070A** T-Valve for Water Supply Hose
- 760-01-0010.0070A** Water Supply Hose
- 760-02-0027.0070A** Seat Handle
- 760-02-0045.0070A** Nozzle Tip Set (2 Nozzles)
- 760-06-0046.0070A** Seat Mounting Kit

**Nominal Dimensions:**

19-5/16" x 14-9/16" x 2-3/16"  
(490 x 370 x 55 mm)

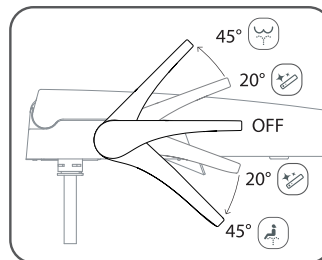
**Compliance Certifications -**

**Meets or Exceeds the Following Specifications:**

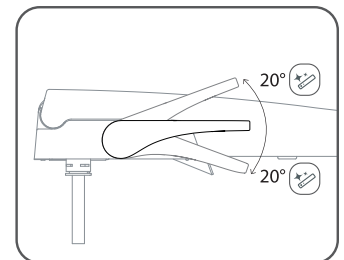
- ASME A112.4.2/CSA B45.16

**To Be Specified**

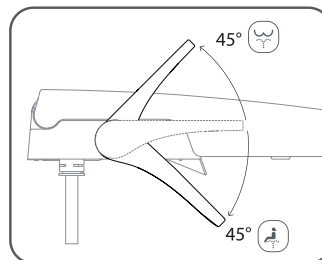
- Color:  020 White



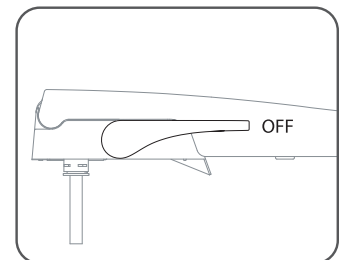
4 separate positions



20° upwards or 20° downwards:  
for nozzle self-cleaning.



45° upwards - Back Cleansing  
45° downwards - Front Cleansing

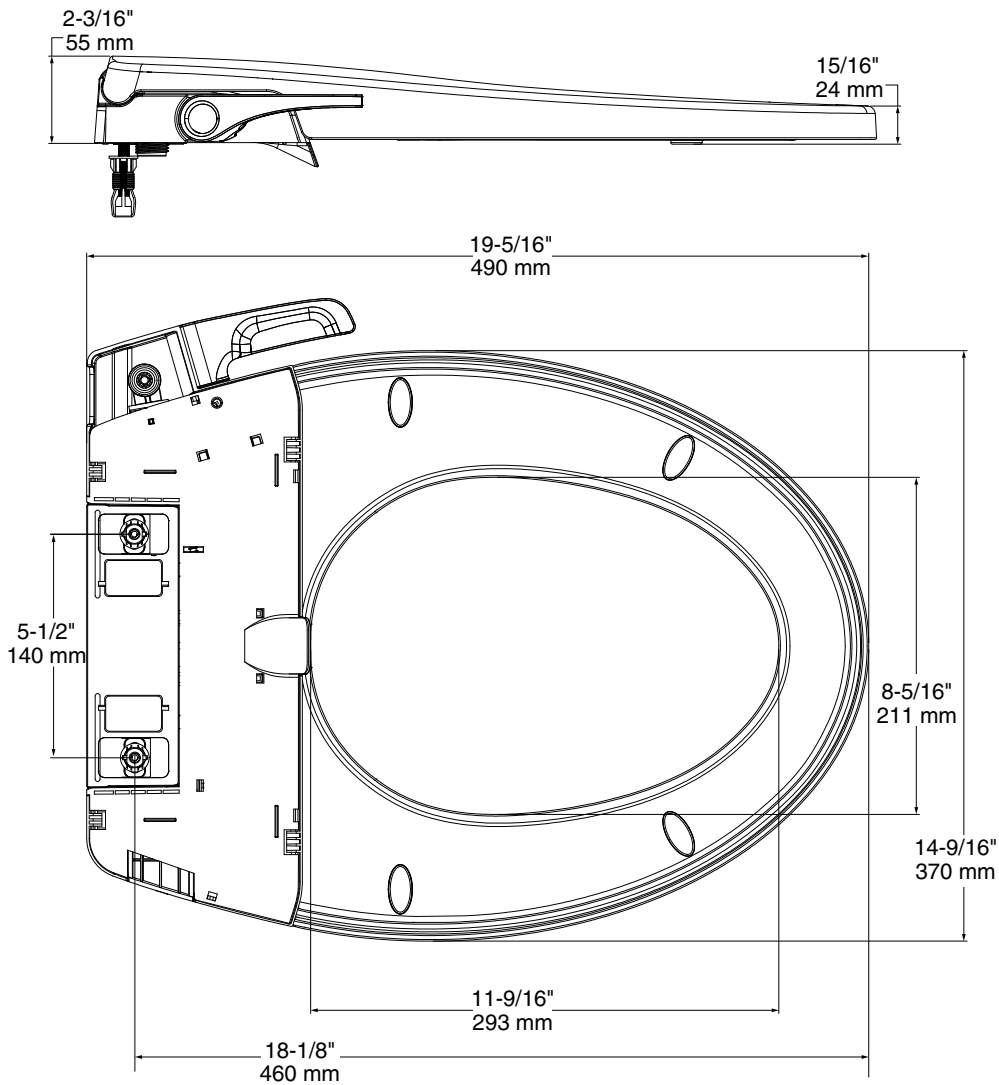


0° - OFF

**SEE REVERSE FOR ROUGHING-IN DIMENSIONS  
AND PRODUCT SPECIFICATIONS**



**SLOW-CLOSE  
SEAT**



**IMPORTANT:**

Dimensions of fixtures are nominal and may vary within the range of tolerance established by ANSI Standard A112.19.2. These measurements are subject to change or cancellation. No responsibility is assumed for use of superseded or voided pages.