

3961BWT60

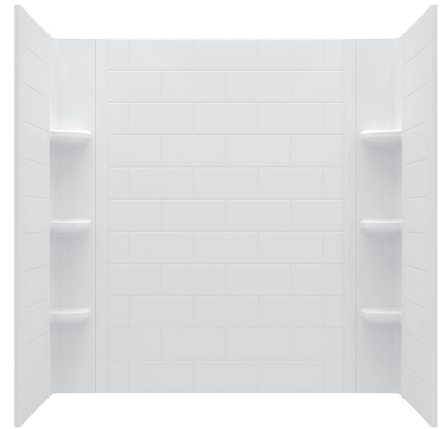
**MADE IN USA**

PRINCETON® PRO 60 X 30 X 60-INCH  
DIRECT TO STUD SUBWAY TILE  
BATHTUB WALL SET


*American  
Standard*

**STANDARD SPECIFICATION:**

- Durable, high impact polystyrene material
- Fully-reinforced backing for premium feel & easy installation
- 3-Piece wall set, includes connection extrusions for a no-gap install
- Easy-to-clean, subway tile pattern without the mess of grout
- Built-in corner shelves for extra storage
- Engineered to fit in smaller packaging for easier transport and handling
- 10 Year Limited Warranty



**AVAILABLE FINISHES:**

3961BWT60.020  White

**CERTIFICATIONS:**

NOTE: Install this product according to the installation guide. ADA, CSA compliant when installed to the specific requirements of these regulations.

We reserve the right to make revisions without notice to product specifications. 08-12-2024

**US**  
Tel: 1.855.815.0004

For the most current Specification Sheet,  
go to <https://www.americanstandard-us.com>.

**Canada**  
Tel: 855.836.9615

For the most current Specification Sheet,  
go to <https://www.americanstandard.ca>.

**PART OF LIXIL**

3961BWT60

**MADE IN USA**

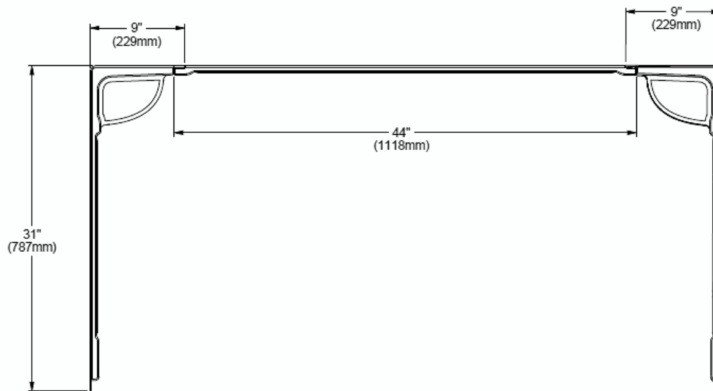
PRINCETON® PRO 60 X 30 X 60-INCH  
DIRECT TO STUD SUBWAY TILE  
BATHTUB WALL SET

*American  
Standard*

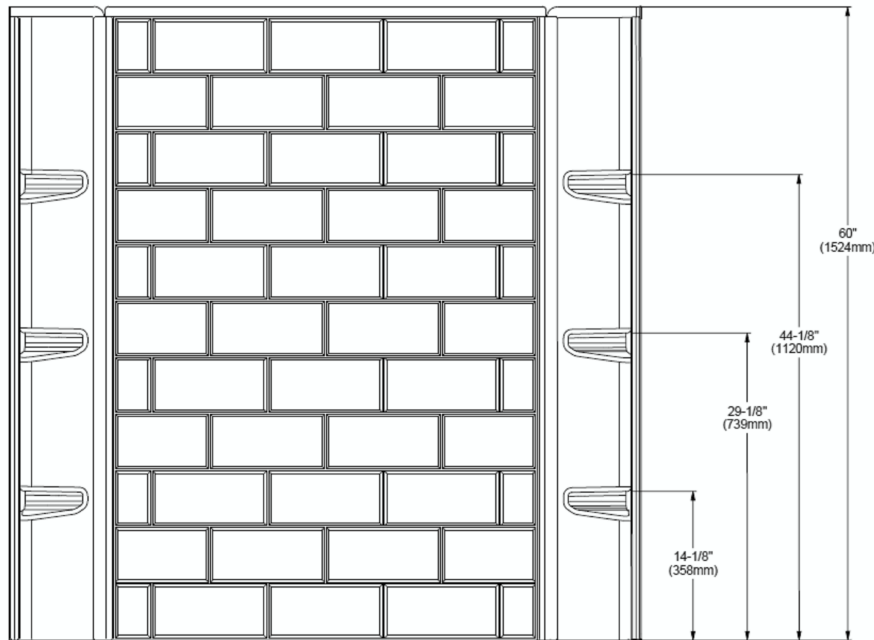
**TECHNICAL DATA:**

Product Height	60 in (1524 mm)
Product Length	31 in (787.4 mm)
Product Width	60 in (1524 mm)

**PRODUCT COMPONENTS:**



TOP VIEW



FRONT VIEW

NOTE: Install this product according to the installation guide. ADA, CSA compliant when installed to the specific requirements of these regulations.

We reserve the right to make revisions without notice to product specifications. 08-12-2024

US  
Tel: 1.855.815.0004

Canada  
Tel: 855.836.9615

For the most current Specification Sheet, go to <https://www.americanstandard-us.com>.

For the most current Specification Sheet, go to <https://www.americanstandard.ca>.

PART OF LIXIL