

1390202

MADE IN USA

**PRINCETON® PRO STEEL 60 X 30-INCH
INTEGRAL APRON BATHTUB WITH LEFT-
HAND OUTLET**

*American
Standard*

STANDARD SPECIFICATION:

- Durable enameled steel construction
- Easy-to-clean glossy porcelain surface that's UV stable & stain resistant
- Full Stansure slip-resistant floor surface
- 9.5" Soaking depth with Integral lumbar support & beveled headrest
- Integral 3-sided tile/water retention flange, with installation hardware included
- Easier installation with a pre-leveled tub bottom and no mortar required
- Limited Lifetime Warranty



AVAILABLE FINISHES:

1390202.020

 White

CERTIFICATIONS:

- CSA B45
- ASME A112.19.4

NOTE: Install this product according to the installation guide. ADA, CSA compliant when installed to the specific requirements of these regulations.

We reserve the right to make revisions without notice to product specifications. 08-12-2024

US
Tel: 1.855.815.0004

For the most current Specification Sheet,
go to <https://www.americanstandard-us.com>.

Canada
Tel: 855.836.9615

For the most current Specification Sheet,
go to <https://www.americanstandard.ca>.

PART OF LIXIL

1390202

MADE IN USA

*American
Standard*

PRINCETON® PRO STEEL 60 X 30-INCH INTEGRAL APRON BATHTUB WITH LEFT- HAND OUTLET

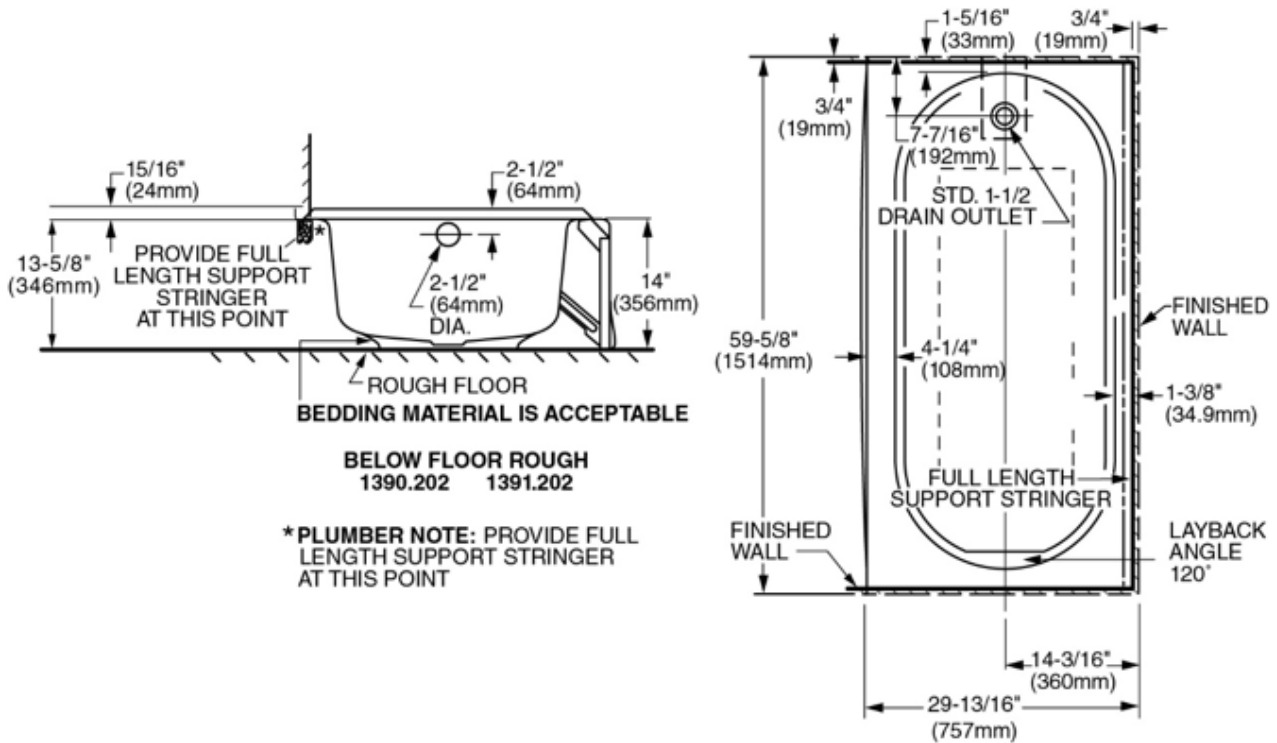
TECHNICAL DATA:

Product Height	14 in (355.6 mm)
Product Length	59.63 in (1514.6 mm)
Product Width	29.81 in (757.17 mm)
Tub Water Capacity	42 gal (US)
Bathing Well Rim Length	42 in
Bathing Well Rim Width	19 in
Soaking Depth	9-1/2 in

PRODUCT COMPONENTS:

OPTIONAL PRODUCTS/ACCESSORIES:

- 1583470.002-UNIVERSAL DRAIN CHR
- 1583470.020-UNIVERSAL DRAIN WHT
- 1583470.295-UNIVERSAL DRAIN BN
- 3961BWT60.020-PRINCETON PRO 60X30 DTS TILE BATH WALLS



**LEFT HAND TUB ILLUSTRATED
RIGHT HAND TUB IS REVERSED**

NOTE: Install this product according to the installation guide. ADA, CSA compliant when installed to the specific requirements of these regulations.

We reserve the right to make revisions without notice to product specifications. 08-12-2024

US
Tel: 1.855.815.0004

Canada
Tel: 855.836.9615

For the most current Specification Sheet,
go to <https://www.americanstandard-us.com>.

For the most current Specification Sheet,
go to <https://www.americanstandard.ca>.

PART OF LIXIL