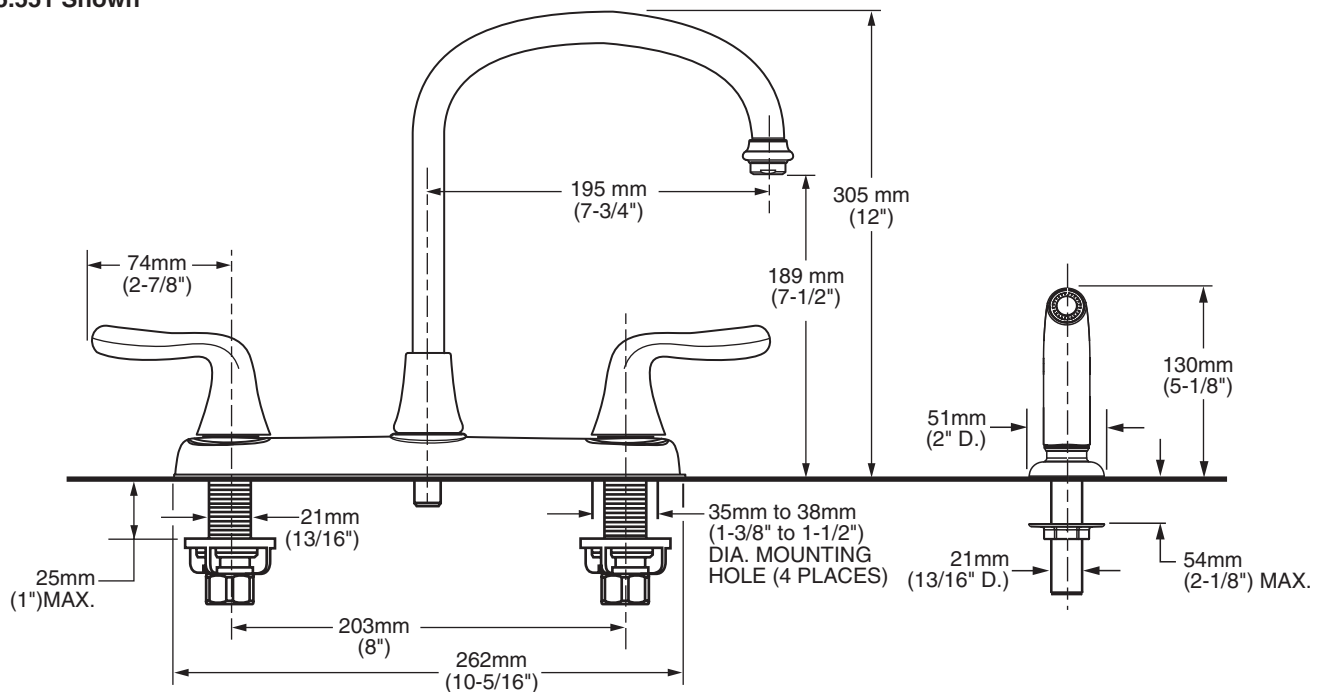


4275.551 Shown

**MODEL NUMBER:**

- ❑ **4275.550 Kitchen Faucet**  
Lever Handles. Less Handspray.
- ❑ **4275.551 Kitchen Faucet**  
Lever Handles. Separate Color-Matched Handspray.



**GENERAL DESCRIPTION:**

Durable brass construction. 1/4 turn washerless ceramic disc valve cartridges. Durable cast brass waterway with 1/2" male inlet shanks. Brass gooseneck swivel spout and lever handles. Metal escutcheon plate (escutcheon size 10-5/16"L x 2-3/8"W). 2.2gpm/8.3L/min. maximum flow rate.

**PRODUCT FEATURES:**

**Ceramic Disc Valve Cartridges:** Assures a lifetime of drip-free performance.

**Cast Brass Waterways with "City Shanks":** Strong and durable. Integral tabs on casting provide a wobble-free installation.

**Lead Free:** Faucet contains  $\leq 0.25\%$  total lead content by weighted average.

**Simple Installation:** Fast and easy one person installation. Faucet drops in from top. Quick spin nuts secure faucet in place.

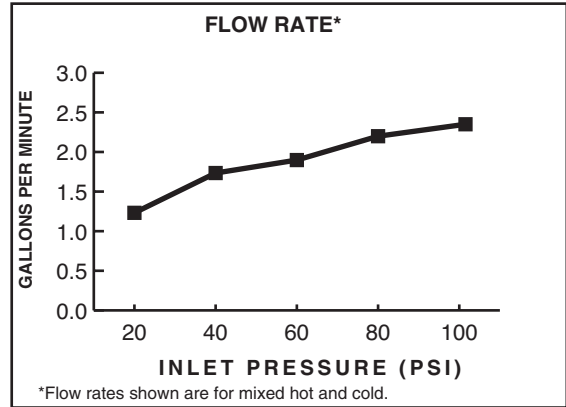
**SUGGESTED SPECIFICATION:**

Two handle kitchen faucet shall feature brass construction with all brass inlet shanks and coupling nuts. Brass gooseneck swivel spout. Shall also feature 1/4 turn washerless ceramic disc valve cartridges that are reversible for use on either "hot" or "cold" side. Faucet shall be American Standard Model #4275.5\_\_\_\_\_.

**CODES AND STANDARDS**

These products meet or exceed the following codes and standards:

- ASME A112.18.1**
- CSA B 125**
- NSF 61/Section 9 & Annex G**
- ANSI A117.1**



Product Number	Description	Finish Options	
		Polished Chrome	PVD Satin Nickel
		002	295
4275.550	Kitchen faucet. Lever handles. Less Handspray.		
4275.551	Kitchen faucet. Lever handles. Separate Color-Matched Handspray.		



Meets the American Disabilities Act Guidelines and **ANSI A117.1** Requirements for the physically challenged.