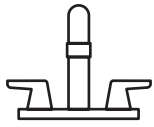


American Standard



**American Standard is devoted to making life,
in the heart of your home, better every day...**

...so, thank you for inviting us in! With the very best in kitchen and bathroom products, we are here to help make your life happier, healthier and simpler. Our commitment to quality, innovation and performance has made us part of your everyday routine for nearly 150 years, and we look forward to being a part of your life for many years to come.

Learn more at www.AmericanStandard.com

REGISTER YOUR WARRANTY

Try the easy-scan **QR code** to quickly enter your information or find your product's detailed warranty here:

www.AmericanStandard.com/warranty



Registering allows you to keep your product information safe, and us the ability to contact you in the event of a product recall or *any* news about your purchase.

And if ever you have a question or need help...?

Call us at 1-855-815-0004

OWNERS MANUAL

Aspirations™ 60x30, 60x32, 60x36 Tub

Models 2963 / 2964 / 2965

INSTALLATION INSTRUCTIONS

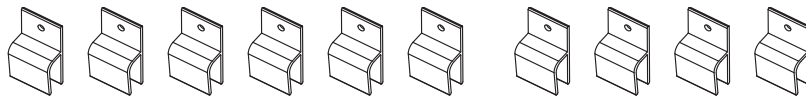
Thank you for selecting American Standard – the benchmark of fine quality for over 150 years. To ensure this product is installed properly, please read these instructions carefully before you begin. Certain installations may require professional help.

INSTALLATION PREPARATION

- Please unpack carefully and identify all parts needed for installation by using the Box Contents as a reference. Inspect the product and report any damages or missing parts immediately to customer care by calling 800-442-1902. Follow the prompts for consumer/bathing. Local building codes vary by location. Observe all local plumbing and building codes.
- The Aspirations Tub dimensions are nominal and meant for a standard 60x30, 60x32 or 60x36 alcove. Please measure your alcove to determine if the Aspirations tub will work in your alcove prior to installation.
- Ensure adequate wall support is provided to area where tub is to be installed.
- Wear protective equipment during installation to avoid injury.
- Please keep these instructions for after care and customer service details.
- If installing an Aspirations shower door, install additional 2x4" wooden support in alcove area where door will be installed. Refer to those instructions for additional stud placement.
- **If installing optional "In Wall" shelving, refer to those instructions for additional stud layout.**

BOX CONTENTS

Plastic Clips x 10



RECOMMENDED TOOLS AND MATERIALS

Installation steps will indicate which tools should be used with associated letter



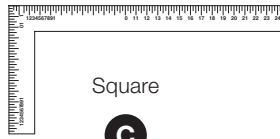
Level

A



Tape Measure

B



Square

C



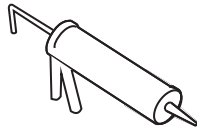
Screwdriver

D



Pipe Wrench

E



Caulking Gun

F



Slip Joint Pliers

G



Personal Safety
Equipment

H

Standard Woodworking Tools

I

MATERIALS

Exterior Rated Screws or if screwing into 2x4 Steel Studs use 4" Exterior Rated Screws.

Plumber's Putty

Drop Cloth

OPTIONAL: Mortar Mix

2x4 for Stringers



BEFORE YOU BEGIN

Inspect your product thoroughly before installing. Take extra care in handling surfaces of the bath and use only non-abrasive cloths to avoid scratching. Observe all local plumbing and building codes.

INSTALLATION INSTRUCTIONS

IMPORTANT GENERAL INFORMATION

This unit is best installed by two people.

Cover drain with tape prior to installation to prevent the loss of small parts.

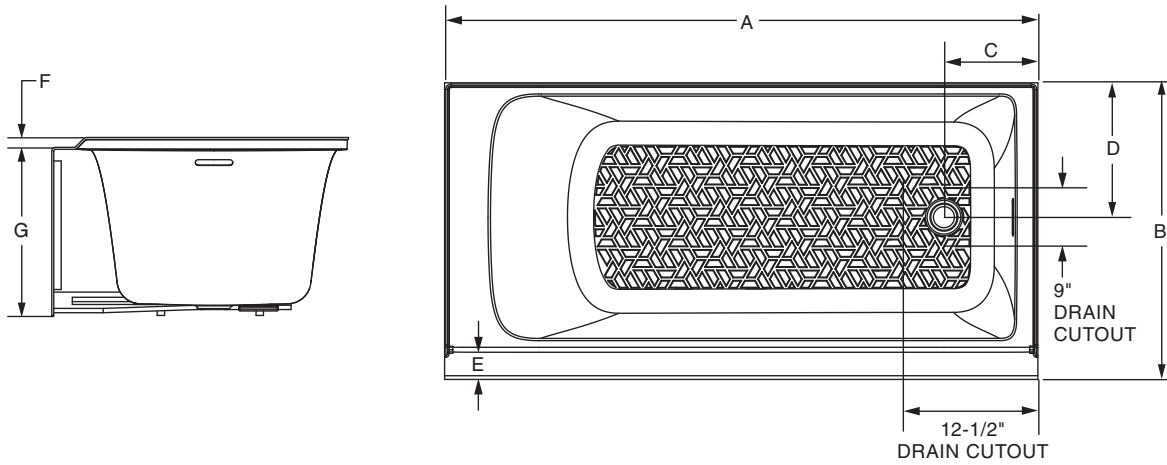
Unpack your unit carefully and inspect for freight damage. Lay out and identify all parts using Box Contents as a reference. Before discarding the carton check to see that no small hardware parts have fallen to the bottom of the box. If any parts are damaged or missing refer to the description noted in the instructions when inquiring about replacements.

When installing coordinating bath walls, or optional "In-Wall" Shelving, additional studs may be required.

Refer to those installation instructions prior to installing tub.

Take extra care when driving nails or screws to avoid damaging the tub.

ROUGH-IN INFORMATION



Model	A	B	C	D	E	F	G
30"	60-3/8"	30"	9-1/2"	13-5/8"	2-3/4"	1"	17"
32"	60-3/8"	32"	9-1/2"	14-1/2"	2-3/4"	1"	17"
36"	60-3/8"	36"	9-1/2"	16-3/8"	2-3/4"	1"	17"

1

TUB INSTALLATION

STEP 1A Locate studs as required. Ensure roughing-in dimensions are proper, plumb, and square (**Fig. 1**).
Fir out studding if necessary. It is strongly recommended that an additional opening be provided for access to the drain components. Refer to Roughin dimensions for "Floor Drain Cutout".

NOTE: If installing Aspiration optional Built-in Wall Shelving System, provide additional studding and support where needed according to those instructions.

NOTE: If installing optional Aspiration Bath Door, provide additional wooden 2x4 support (**fig. 2**).

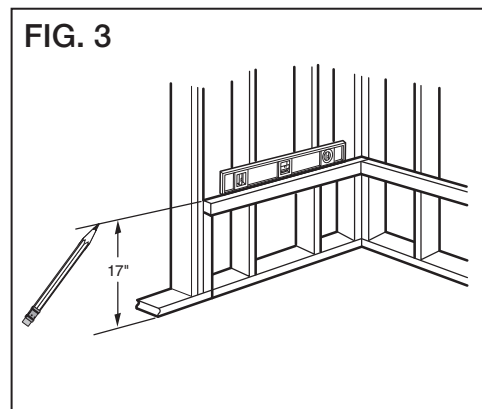
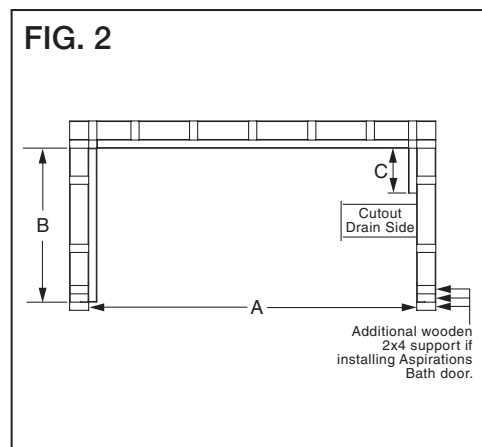
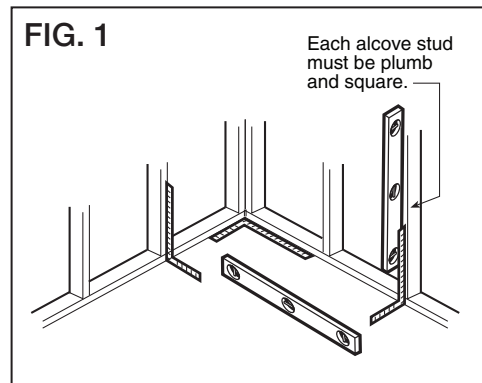
Step 1B Cut 3 Stringers to length for tub size being installed following Stringer Length Chart and (**Fig. 2**).

Stringer Length Dimensions:

Model	A	B	C
30"	60-3/8"	28-1/2"	8-1/4"
32"	60-3/8"	30-1/8"	10-1/2"
36"	60-3/8"	34-3/8"	12-1/8"

Step 1C Mark the position of each Stringer on each of the studs keeping the shorter stringer on the drain side of the alcove at a height of 17" (**Fig. 3**).

Attach the rear stringer first then place tub back into position and check for level. Adjust stringer for level then add both left and right stringers.



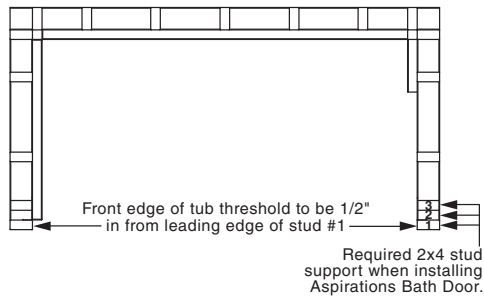
Step 1D Install drain components to the bath following the manufacturers instructions. See roughin drawing for suggested drain opening size and location dimensions.

NOTE: This tub requires American Standard Slotted Drain, SKU # 1616000. Please review drain instructions included in the drain box.

STEP 2A Place tub in studded alcove, and check level front to back and side to side, shim as necessary, (Fig. 4).

NOTE: If installing Aspirations Bath door, reference figure below for additional wooden 2x4 support and keep threshold of tub 1/2" in from leading edge of stud #1

Required 2x4 Support for Aspirations Bath Door



Step 2B THIS BATH MUST BE SUPPORTED ALONG IT'S ENTIRE BOTTOM. We recommend the use of mortar as a bedding material (sand is not recommended). Apply enough bedding to support the complete bottom of the bath. After the bedding has been poured and before it sets, position the bath within the recess until the rim is leveled against the leveling stringers. The rim of the bath MUST NOT support weight. Use provided plastic clips to secure the tub to the studs as illustrated in figure 5 and figure 6 then recheck level again. (Fig. 5 & 6).

FIG. 4

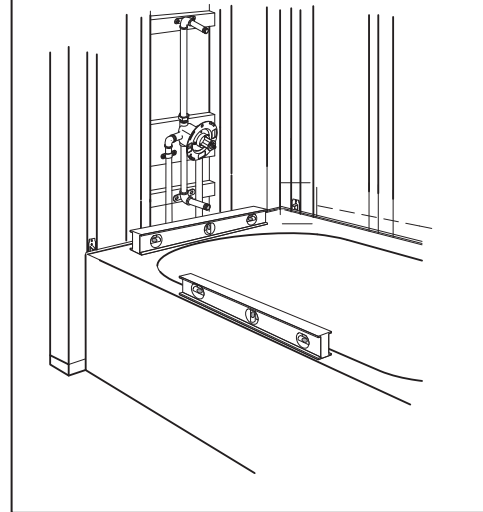


FIG. 5

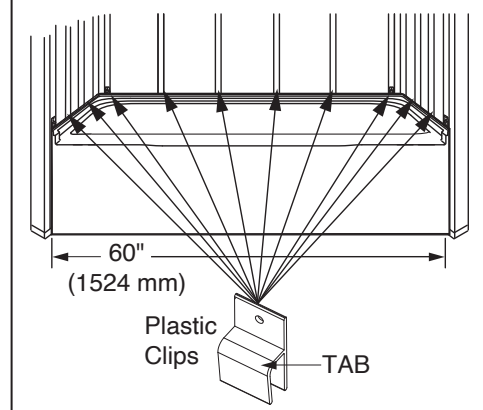
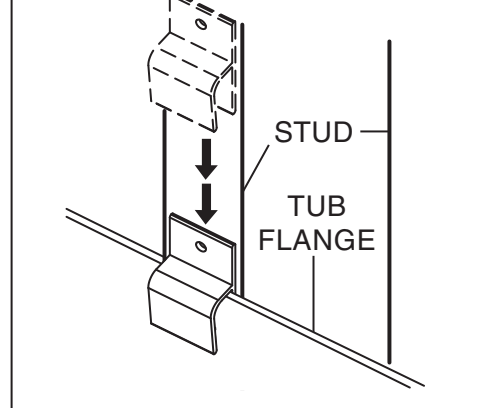


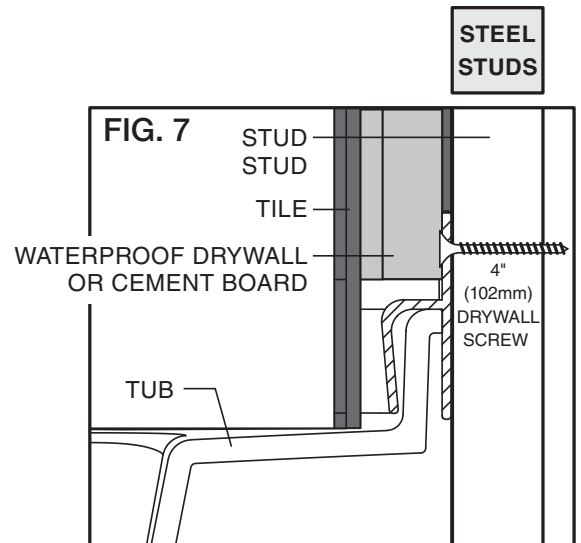
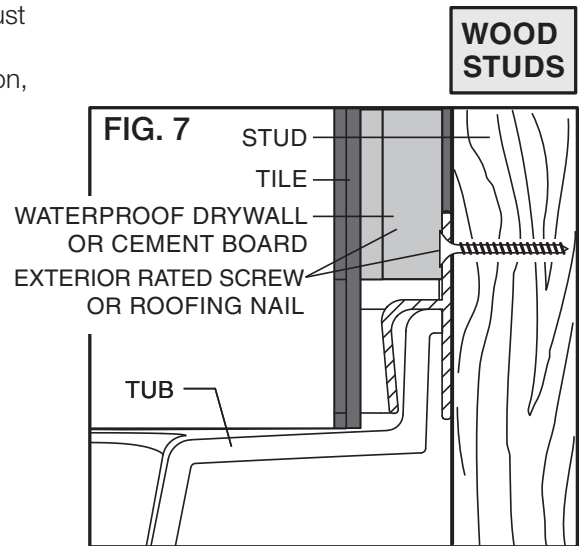
FIG. 6



3

TUB INSTALLATION

STEP 3A Any finish material such as tile or wallboard must be self-supporting if it contacts the deck of the bath. Flooring will be butted against the bottom of the tub apron, also holding the tub in place. (**Fig. 7**).



Step 3B Allow the bedding material to completely harden before applying weight to the rim or bottom of the tub.

POST INSTALLATION CLEAN-UP

Remove all construction debris. Install any accessories, shelves or doors according to manufacturer's installation instructions.

Post installation clean-up generally can be completed using warm water and liquid dishwashing detergent. Stubborn dirt or stains may be removed using granular Spic and Span® mixed with water. Painter's naphtha can be used to remove excess adhesives and/or wet oil-base paint.

AFTERCARE AND CLEANING

Always fill the tub with temperate water. Excessively hot water may cause surface damage.

Clean after use with a mild liquid household detergent cleaner. Abrasive cleaners such as Lestoil®, Lysol® Disinfectant (spray or concentrate), or Lysol® Basin, Tub and Tile Cleaner, Windex®, Mr. Clean®, Dow® Disinfectant Bathroom Cleaner, or cleaning products in aerosol cans should not be used.

DO NOT USE HARSH CHEMICALS ON TUB SURFACE

Do not use wire brushes, knives or sharp objects to remove stains, cigarette tar deposits, or other surface blemishes.

Abrasive cleaners or powders must not be used, since they will dull the surface.

Do not wax areas where you walk or stand.

Do not allow nail polish remover, acetone, dry cleaning fluid, paint remover or other solvents to come into contact with the surface.

Clean the surrounding surface immediately after using caustic drain cleaners.

Burning cigarettes will damage the surface.

Should damage to the fixture occur, repairs can be made quickly and easily. Your distributor or builder can provide details.

SPIC AND SPAN® is a registered trademark of The Spic And Span Company

LESTOIL® is a registered trademark of the Clorox Company

LYSOL® is a registered trademark of Reckitt Benckiser

WINDEX® is a registered trademark of S.C. Johnson & Son, Inc

MR. CLEAN® is a registered trademark of Agile Pursuits Franchising, Inc.

DOW® is a registered trademark of Dow Chemical Company

TELL US WHAT YOU THINK!

Please leave us a product review or story
at **AmericanStandard.com/reviews**

Find installation videos at
youtube.com/americanstandard

Register your warranty and sign up for an idea-filled newsletter at
AmericanStandard-us.com/support/warranty

PLEASE COMPLETE AMERICAN STANDARD WARRANTY REGISTRATION PROCESS AND SAVE THIS WARRANTY INFORMATION IMPORTANT:

Registration of the sink must be completed for this warranty to become effective. Your registration will make it easier to contact you in the event of a product recall.*

INSTRUCTIONS: Register your sink at www.americanstandard.com. Please save your proof of purchase (sale receipt). If you need assistance or do not have access to our website, please contact American Standard Customer Care at: (800) 442-1902. An American Standard representative will assist in completing the warranty registration.

*In California, your warranty rights remain intact even if you do not complete the registration process.



SHARE YOUR NEW PRODUCT!

Tag us **@american_standard** on Instagram
and show us how your new product looks.

≡ WANT MORE INFO?

For questions or help call us at **855-815-0004**,
or visit **AmericanStandard.com**

UNITED STATES

American Standard Brands
865 Centennial Ave.
Piscataway, New Jersey 08854
Attention: Director of Customer Care
For residents of the United States,
warranty information may also be
obtained by calling the following
toll free number: (855) 815-0004
www.AmericanStandard.com

CANADA

LIXIL Canada, Inc.
5900 Avebury Rd.
Mississauga, Ontario
Canada L5R 3M3
Toll Free: (800) 387-0369
AmericanStandard.ca/support/warranty

MEXICO

American Standard B&K Mexico
S. de R.L. de C.V.
Via Morelos #330
Col. Santa Clara
Ecatepec 55540 Edo. Mexico
Toll Free: 800-839-1200
AmericanStandard.com.mx/garantia

756250-100 EN (1/24)
2963/2964/2965

PART OF **LIXIL**

American Standard