

CADET™ RIGHT HEIGHT™ 10" ROUGH-IN ELONGATED TOILET

2998.010

- Vitreous china
- Low-consumption (6.0 Lpf/1.6 gpf)
- 16-1/2" rim height for accessible applications
- 10" roughing-in
- Elongated siphon action jetted bowl
- AquaForce flushing technology
- Fully glazed 2" trapway
- Close-coupled tank with raised lip detail on tank cover
- Color-matched trip lever
- Speed Connect™ tank/bowl coupling system
- Sanitary bar on bowl
- 2 bolt caps
- 100% factory flush tested



3417.016 Bowl

4110.016 Tank

Alternate Tank Configurations Available:

- 4110.600** Tank complete with tank cover locking device
- 4110.800** Tank complete with trip lever located on right hand side

Nominal Dimensions:

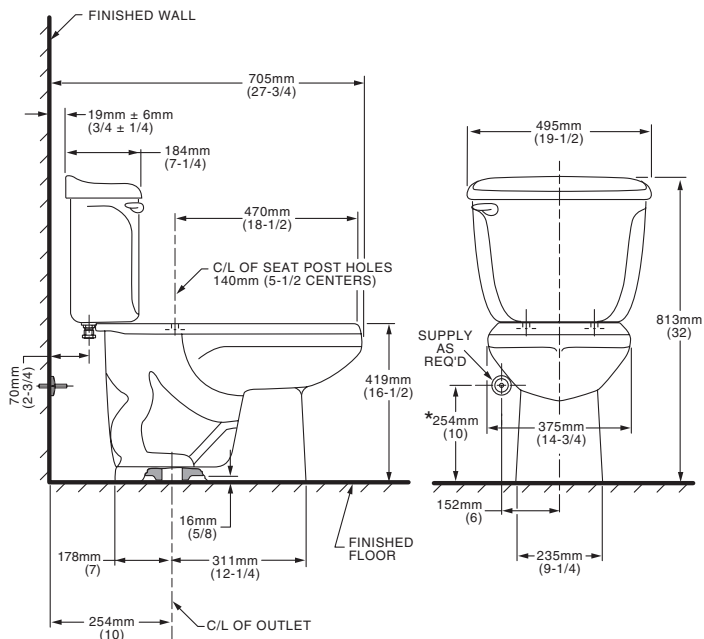
705 x 495 x 813mm
(27-3/4" x 19-1/2" x 32")

Fixture only, seat and supply by others

Compliance Certifications -

Meets or Exceeds the Following Specifications:

- ASME A112.19.2M for Vitreous China Fixtures - includes Flush Performance, Ball Pass Diameter, Trap Seal Depth and all Dimensions



To Be Specified:

- Color:
- Seat: American Standard #5324.019 "Rise and Shine" solid plastic closed front, seat with cover.
- Seat: American Standard #5311.012 "Laurel" molded closed front seat with cover.
- Alternate Seat:
- Supply with stop:

NOTES:

THIS TOILET IS DESIGNED TO ROUGH-IN AT A MINIMUM DIMENSION OF 254mm (10") FROM FINISHED WALL TO C/L OF OUTLET. SUPPLY NOT INCLUDED WITH FIXTURE AND MUST BE ORDERED SEPARATELY.
* DIMENSION SHOWN FOR LOCATION OF SUPPLY IS SUGGESTED.

IMPORTANT: Dimensions of fixtures are nominal and may vary within the range of tolerances established by ANSI Standard A112.19.2. These measurements are subject to change or cancellation. No responsibility is assumed for use of superseded or voided pages.



MEETS THE AMERICANS WITH DISABILITIES ACT GUIDELINES AND ANSI A117.1 REQUIREMENTS FOR ACCESSIBLE AND USABLE BUILDING FACILITIES-CHECK LOCAL CODES.

**CADET™ RIGHT HEIGHT™
ELONGATED TOILET**

- 2998.012**
 - Vitreous china
 - Low-consumption (6.0 Lpf/1.6 gpf)
 - 16-1/2" rim height for accessible applications
 - Elongated siphon action jetted bowl
 - AquaForce flushing technology
 - Fully glazed 2" trapway
 - Close-coupled tank with raised lip detail on tank cover
 - Color-matched trip lever
 - Speed Connect™ tank/bowl coupling system
 - Sanitary bar on bowl
 - 2 bolt caps
 - 100% factory flush tested
 - 3417.016** Bowl
 - 4112.016** Tank
- 2998.164** with Slotted Rim for Bedpan holding
 - 3417.164** Bowl
 - 4112.016** Tank

Alternate Tank Configurations Available:

- 4112.300** Tank complete with chrome all metal trip lever
- 4112.500** Tank complete with Aquagard liner
- 4112.600** Tank complete with tank cover locking device
- 4112.700** Tank complete with Aquagard liner and tank cover locking device
- 4112.800** Tank complete with trip lever located on right side
- 4112.900** Tank complete with tank cover device and trip lever located on right side

Nominal Dimensions:

756 x 495 x 813mm (29-3/4" x 19-1/2" x 32")

Fixture only, seat and supply by others

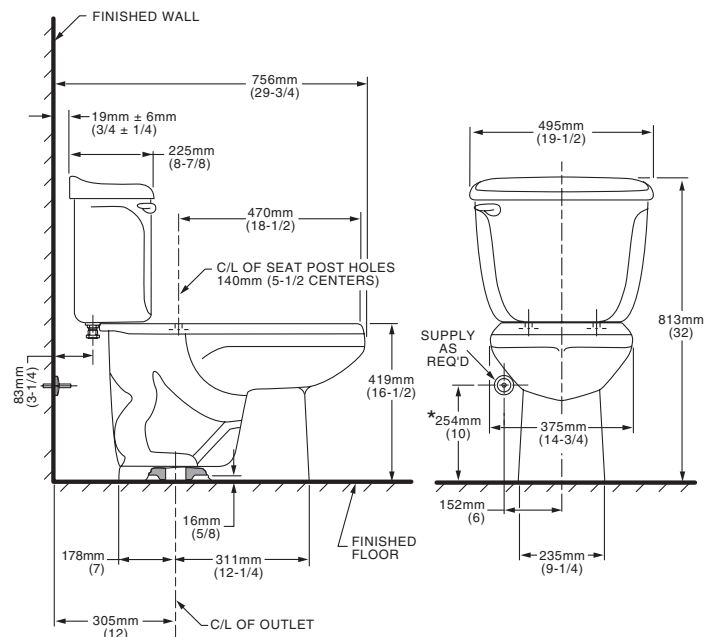
Compliance Certifications -

Meets or Exceeds the Following Specifications:

- ASME A112.19.2M for Vitreous China Fixtures - includes Flush Performance, Ball Pass Diameter, Trap Seal Depth and all Dimensions

To Be Specified:

- Color:
- Seat: American Standard #5324.019 "Rise and Shine" solid plastic closed front, seat with cover.
- Seat: American Standard #5311.012 "Laurel" molded closed front seat with cover.
- Alternate Seat:
- Supply with stop:



NOTES:

THIS TOILET IS DESIGNED TO ROUGH-IN AT A MINIMUM DIMENSION OF 305MM (12") FROM FINISHED WALL TO C/L OF OUTLET.

SUPPLY NOT INCLUDED WITH FIXTURE AND MUST BE ORDERED SEPARATELY.

* DIMENSION SHOWN FOR LOCATION OF SUPPLY IS SUGGESTED.

IMPORTANT: Dimensions of fixtures are nominal and may vary within the range of tolerances established by ANSI Standard A112.19.2. These measurements are subject to change or cancellation. No responsibility is assumed for use of superseded or voided pages.



MEETS THE AMERICANS WITH DISABILITIES ACT GUIDELINES AND ANSI A117.1 REQUIREMENTS FOR ACCESSIBLE AND USABLE BUILDING FACILITIES-CHECK LOCAL CODES.

CADET™ RIGHT HEIGHT™ 14" ROUGH-IN ELONGATED TOILET

- 2998.014**
 - Vitreous china
 - Low-consumption (6.0 Lpf/1.6 gpf)
 - 16-1/2" rim height for accessible applications
 - 14" roughing-in
 - Elongated siphon action jetted bowl
 - AquaForce flushing technology
 - Fully glazed 2" trapway
 - Close-coupled tank with raised lip detail on tank cover
 - Color-matched trip lever
 - Speed Connect™ tank/bowl coupling system
 - Sanitary bar on bowl
 - 2 bolt caps
 - 100% factory flush tested



- 3417.016** Bowl
- 4114.016** Tank

Alternate Tank Configurations Available:

- 4114.600** Tank complete with tank cover locking device
- 4114.800** Tank complete with trip lever located on right hand side

Nominal Dimensions:

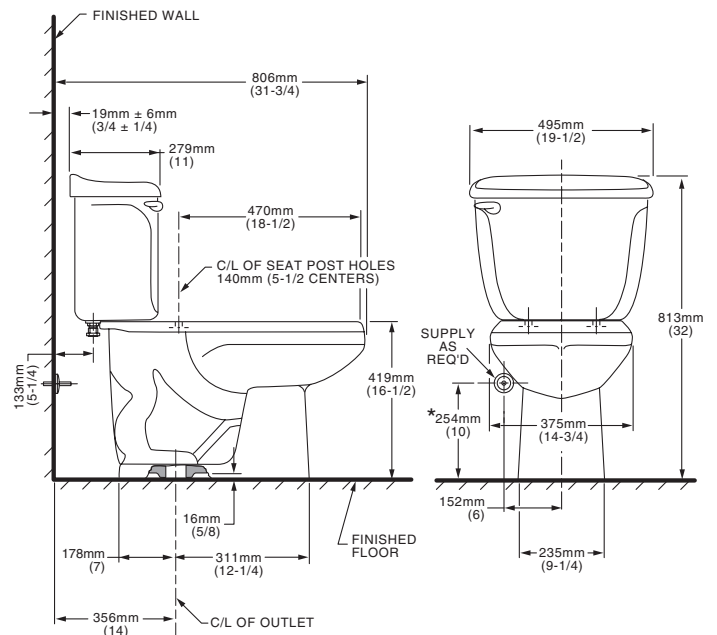
806 x 495 x 813mm
(31-3/4" x 19-1/2" x 32")

Fixture only, seat and supply by others

Compliance Certifications -

Meets or Exceeds the Following Specifications:

- ASME A112.19.2M for Vitreous China Fixtures - includes Flush Performance, Ball Pass Diameter, Trap Seal Depth and all Dimensions



To Be Specified:

- Color:
- Seat: American Standard #5324.019 "Rise and Shine" solid plastic closed front, seat with cover.
- Seat: American Standard #5311.012 "Laurel" molded closed front seat with cover.
- Alternate Seat:
- Supply with stop:

NOTES:

THIS TOILET IS DESIGNED TO ROUGH-IN AT A MINIMUM DIMENSION OF 356mm (14") FROM FINISHED WALL TO C/L OF OUTLET. SUPPLY NOT INCLUDED WITH FIXTURE AND MUST BE ORDERED SEPARATELY.
* DIMENSION SHOWN FOR LOCATION OF SUPPLY IS SUGGESTED.

IMPORTANT: Dimensions of fixtures are nominal and may vary within the range of tolerances established by ANSI Standard A112.19.2. These measurements are subject to change or cancellation. No responsibility is assumed for use of superseded or voided pages.



MEETS THE AMERICANS WITH DISABILITIES ACT GUIDELINES AND ANSI A117.1 REQUIREMENTS FOR ACCESSIBLE AND USABLE BUILDING FACILITIES-CHECK LOCAL CODES.