

INSTALLATION INSTRUCTIONS CARE AND MAINTENANCE

American Standard

CADET® 3

Flushing System

Models 2383 / 2384 / 2386 / 2447 / 2431

Thank you for selecting American Standard - the benchmark of fine quality for over 100 years. To ensure this product is installed properly, please read these instructions carefully before you begin. (Certain installations may require professional help.) Also be sure your installation conforms to local codes.

▲ CAUTION: PRODUCT IS FRAGILE. TO AVOID BREAKAGE AND POSSIBLE INJURY HANDLE WITH CARE!

NOTE: Pictures may not exactly define contour of china and components.

RECOMMENDED TOOLS AND MATERIALS

Putty Knife
Hacksaw

Regular Screwdriver
Wax Ring/Gasket

Adjustable Wrench
Flexible Supply Tube

Sealant
Closet Bolts

Tape Measure
Carpenters Level

1 REMOVE OLD TOILET

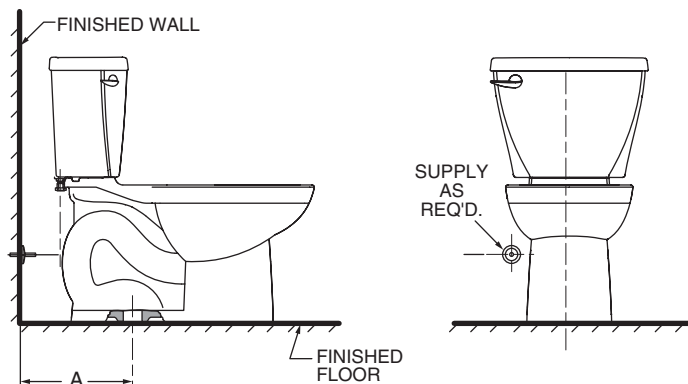
- Close toilet supply valve and flush tank completely. Towel or sponge remaining water from tank and bowl.
- Disconnect and remove supply line. NOTE: *If replacing valve, first shut off main water supply!*
- Remove old mounting hardware, remove toilet and plug floor waste opening to prevent escaping sewer gases.
- Remove closet bolts from flange and clean away old wax, putty, etc. from base area.

NOTE: Mounting surface must be clean and level **before** new toilet is installed!

2

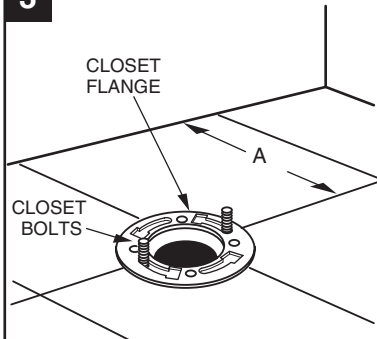
ROUGHING-IN DIMENSIONS:

NOTE: Distance from wall to closet flange centerline must be as listed on chart:



	MODELS		DIMENSION "A"
10" ROUGHS	2383.010 2386.010	2384.010	254mm (10)
12" ROUGHS	2383.012 2386.012 2431.010	2384.012 2447.000	305mm (12)
14" ROUGHS	2383.014 2386.014	2384.014	356mm (14)

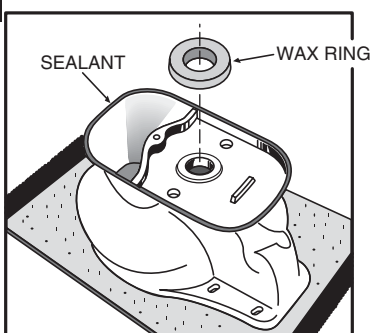
3



INSTALL CLOSET BOLTS

Install closet bolts in flange channel, turn 90°, and slide into place 6" (152mm) apart and parallel to wall.

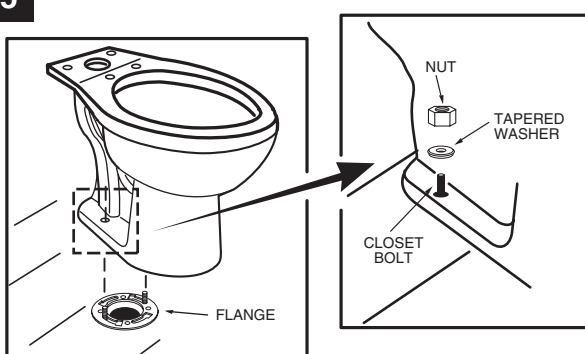
4



INSTALL WAX SEAL

Invert toilet on floor (cushion to prevent damage), and install wax ring evenly around waste flange (horn), with tapered end of ring facing toilet. Apply a thin bead of sealant around toilet base.

5



POSITION TOILET ON FLANGE

- Unplug floor waste opening and install toilet on closet flange so bolts project through mounting holes.
- Loosely install retainer washers and nuts. Side of washers marked "THIS SIDE UP" must face up!

American Standard

Ideal Standard

Incesa Standard

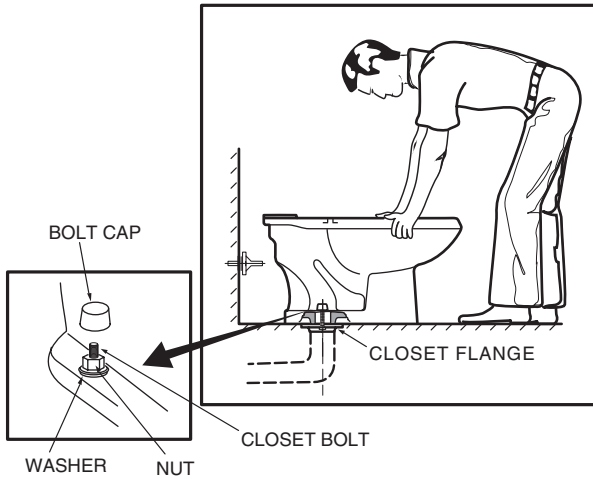
Sadona Standard

Cedelca

Saniwares

SAVE FOR FUTURE USE

6



INSTALL TOILET

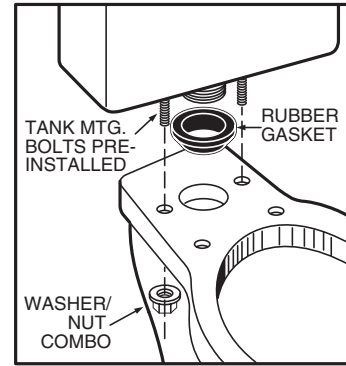
- a. Position toilet squarely to wall and, with a rocking motion, press bowl down fully on wax ring and flange. Alternately tighten nuts until toilet is firmly seated on floor.

CAUTION:
DO NOT OVERTIGHTEN NUTS
OR BASE MAY BE DAMAGED!

- b. Install caps on washers. (If necessary, cut bolt height to size before installing caps.)
- c. Smooth off the bead of sealant around base. Remove excess sealant.

7

For Tanks/Bowls using Speed Connect System (Tank mounting bolts pre-installed).



INSTALL TANK

- a. Install large rubber gasket over threaded outlet on bottom of tank and lower tank onto bowl so that tapered end of gasket fits evenly into bowl water inlet opening, and tank mounting bolts go through mounting holes. Secure with metal washer/nut combo.
- b. With tank parallel to wall, alternately tighten nuts until tank is snugged down evenly against bowl surface.

*** USE INCLUDED TOOL, NUT DRIVER, OR DEEP SOCKET RACHET.**

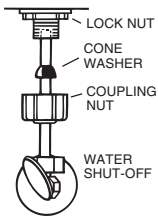
CAUTION:
DO NOT OVERTIGHTEN NUTS MORE
THAN REQUIRED FOR A SNUG FIT!

8 INSTALL TOILET SEAT Install toilet seat in accordance with manufacturer's directions.

9a

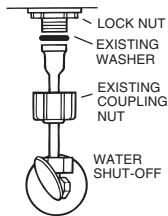
Before continuing, determine the type of water supply connection you have from the chart below and use the appropriate assembly parts required to properly reconnect the water supply. DO NOT use plumber's putty to seal these fittings.

METAL / COPPER FLARED TUBING



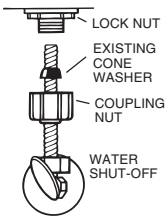
These parts must be used as illustrated to insure water-tight connection. Use of existing coupling nut may result in water leakage. Water supply tube or pipe must extend at least 1/2" inside threaded shank of valve (does not apply to flanged tubing).

METAL FLANGED TUBING



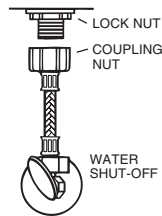
Use existing coupling nut and washer.

METAL SPIRAL TUBING



Use existing spiral cone washer. Fluidmaster cone washer may not seal completely on spiral type supply line.

VINYL / BRAIDED CONNECTOR

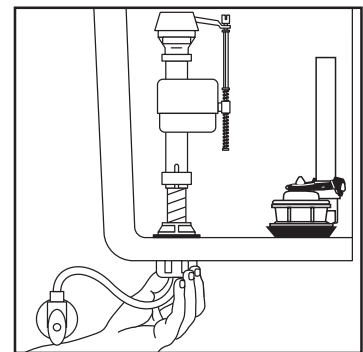


Captive cone washers already included. No additional washers needed.

CAUTION: DO NOT USE CONE WASHER WITH PLASTIC SUPPLY LINE.

CAUTION: Overtightening of LOCK NUT or COUPLING NUT could result in breakage and potential flooding.

9b



With correct washers in place (see Step 9a), tighten **COUPLING NUT** 1/4 turn beyond hand tight.

DO NOT OVERTIGHTEN.

10

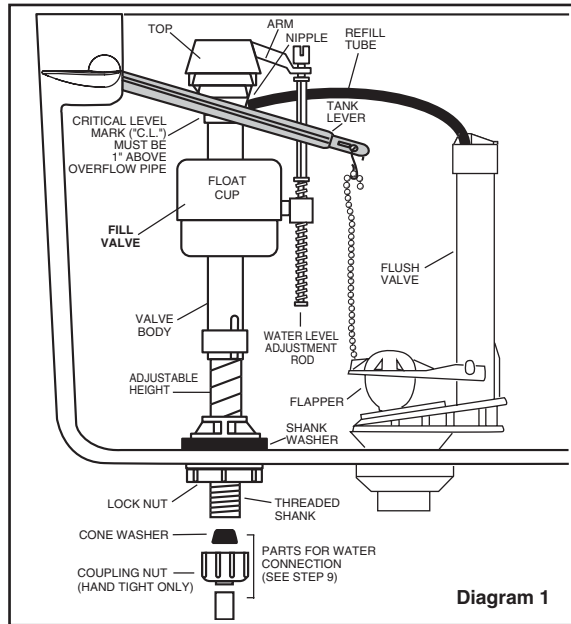
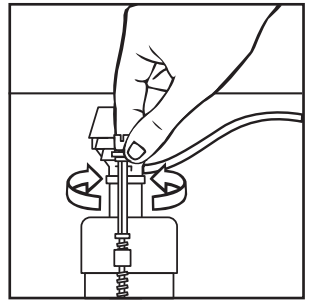


Diagram 1

ADJUSTMENTS

- a. Adjust water level. Water level should be adjusted to level indicated on tank by adjusting float cup.
- See Step 11 for water level adjustment method*
- b. If bowl fails to siphon, an adjustment may be required with the lift chain. Simply remove the bead chain from the retainment clip and take up slack on the chain, and reinsert on lift rod. Make sure the chain is not too taught.

11



Turn on water supply. Submerge the FLOAT CUP under the water for 30 seconds. Adjust the water to desired level by turning WATER LEVEL ADJUSTMENT ROD and moving FLOAT CUP up or down.

12 CARE AND CLEANING

When cleaning your toilet, wash it with mild, soapy water, rinse thoroughly with clear water and dry with a soft cloth. Avoid detergents, disinfectants, or cleaning products in aerosol cans. NEVER use abrasive scouring powders or abrasive pads on your toilet seat. Some bathroom chemicals and cosmetics may damage the seat's finish.

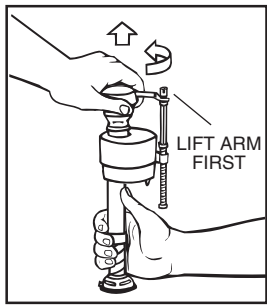
⚠ WARNING: Do not use in-tank cleaners. Products containing chlorine (calcium hypochlorite) can seriously damage fittings in the tank. This damage can cause leakage and property damage.
American Standard shall not be responsible or liable for any tank fitting damage caused by the use of cleaners containing chlorine (calcium hypochlorite).

REPAIR PARTS LIST

Repair parts are determined by toilet tank number which can be found marked inside tank.

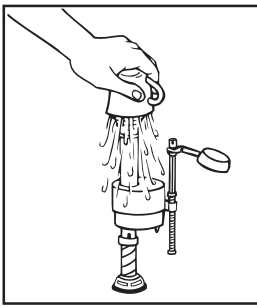
NOTE: "XXX" represents color or trim finish options. Specify when ordering.

PART NO.	DESCRIPTION	TANK NUMBER		
		4019/ 4021.500	4021	4027
738903-XXX0A	TRIP LEVER - STANDARD LEFT HAND	✓	✓	✓
034783-XXX0A	BOLT CAP KIT	✓	✓	✓
738565-423.0070A	FLUIDMASTER 400A VALVE	✓	✓	✓
738921-100.0070A	FLUSHVALVE ASSEMBLY w/ 3 INCH FLAPPER		✓	
738921-101.0070A	FLUSHVALVE ASSEMBLY w/ 3 INCH FLAPPER	✓		
738921-102.0070A	FLUSHVALVE ASSEMBLY w/ 3 INCH FLAPPER			✓
738920-0070A	FLAPPER ASSEMBLY - 3 INCH	✓	✓	✓
730935-0070A	TANK COUPLING KIT #252	✓	✓	✓
738916-100.0070A	REFILL TUBE - 5 INCH		✓	✓
738916-101.0070A	REFILL TUBE - 9 INCH	✓		
73512X-400-XXX	TANK COVER	✓	✓	✓

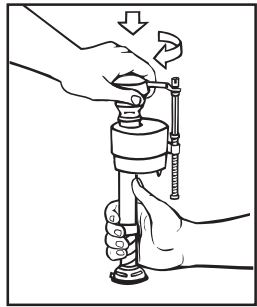


IMPORTANT: Always clear sand and rust from system.

- Make sure water supply is off. Remove valve TOP by lifting arm and rotating top and arm 1/8 turn counterclockwise, pressing down slightly on cap.



- While holding a container over the uncapped VALVE to prevent splashing, turn water supply on and off a few times. Leave water supply off.



- Replace TOP by engaging lugs and rotating 1/8 turn clockwise. MAKE CERTAIN TIP IS TURNED TO THE LOCKED POSITION. VALVE MAY NOT TURN ON IF TOP IS NOT FULLY TURNED TO THE LOCKED POSITION.

TROUBLESHOOTING

IF FILL VALVE SHUTS OFF BUT CONTINUES TO LEAK SLOWLY, repeat Step 13.

IF FILL VALVE TURNS OFF AND ON DURING PERIODS OF NON-USE, it is a signal you are wasting water because:

- The end of the refill tube is inserted into overflow pipe, below water level in tank. Attach refill tube to overflow pipe using "S" clip provided.
- The flush valve is leaking because it's worn, dirty or misaligned with tank ball or flapper (replace with a new flapper).

IF FILL VALVE WON'T TURN ON OR SHUT OFF or REFILL OF TANK WATER IS SLOW after valve has been in use for some time, Fluidmaster Model 242 Replacement Seal may be needed.

Go to our website at www.fluidmaster.com for more solutions to toilet problems.

For troubleshooting information please contact:



30800 Rancho Viejo Road
 San Juan Capistrano, CA 92675
 (949) 728-2000 (800) 631-2011
www.fluidmaster.com

© 2001 Fluidmaster, Inc.
 © Registered trademark of Fluidmaster, Inc.

GUARANTEE: This Fluidmaster product is guaranteed to be free from defective materials and workmanship for a period of one year. Units returned to Fluidmaster will be replaced without charge.

Always use quality Fluidmaster repair parts when maintaining your Fluidmaster products. Fluidmaster shall not be responsible or liable for any damages caused by products used with Fluidmaster valves that were not manufactured by Fluidmaster, Inc.

TROUBLESHOOTING GUIDE

PROBLEM	POSSIBLE CAUSE	CORRECTIVE ACTION
Does not flush	a. Water supply valve closed. b. Supply line blocked. c. Flush valve chain too loose or disconnected. d. Sand or debris lodged in water control.	a. Open valve and allow water to fill tank. b. Shut off water supply, disconnect supply line and inspect all gaskets and washers. Reassemble. Also, see Fluidmaster maintenance. (see Step 13) c. Readjust chain length as required. d. Shut off water supply. Remove cap and clean as per Step 13.
Poor or sluggish flush	a. Bowl water level too low. b. Supply valve partly closed. c. Partially clogged trapway and/or drain pipe and/or vent. d. Supply pressure too low.	a. Check that refill tube is connected to water control and inserted into tank overflow without being kinked or damaged. b. Open supply valve fully. Be sure that proper supply tube size is used. c. Remove obstruction. Consult a plumber if necessary. d. Normal supply pressure must be at least 20 psi.
Toilet leaks	a. Poor supply line connection. b. Poor bowl to tank/floor connection.	a. Review Step 9 of installation procedure. b. Review Step 4 through 7 of installation procedure.
Toilet does not shut off	a. Flush valve chain too tight, holding flush valve open. b. Flush valve seat and/or flapper worn or deformed. c. Sand or debris lodged in water control.	a. Readjust chain length as needed. Review Step 10. b. Shut off water supply. Replace flush valve. c. Shut off water supply. Remove cap and clean per Step 13.

CADET® 3 FLUSH RIGHT™ TOILET FIVE YEAR LIMITED WARRANTY

For this warranty to become effective, the accompanying warranty registration card and proof of purchase must be completed and returned to the address on the warranty registration card within 30 days of purchase.

If inspection of this American Standard plumbing product, inclusive of china and all mechanical components, within five years after its initial purchase, confirms that it is defective in materials or workmanship, American Standard will repair or, at its option, exchange the product for a similar model.

This warranty **does not apply** to local building code compliance. Since local building codes vary considerably, the purchaser of this product should check with a local building or plumbing contractor to insure local code compliance before installation.

This warranty **shall be void** if the product has been moved from its initial place of installation; if it has been subjected to faulty maintenance, abuse, misuse, accident or other damage; if it was not installed in accordance with American Standard's instructions; or if it has been modified in a manner inconsistent with the product as shipped by American Standard.

This warranty **DOES NOT COVER** any damage caused by the use of in-tank cleaners.

American Standard's option to repair or exchange the product under this warranty does not cover any labor or other costs of removal or installation, **nor shall American Standard be responsible for any other incidental or consequential damages attributable to a product defect or to the repair or exchange of a defective product, all of which are expressly excluded from this warranty.** (Some states or provinces do not allow the exclusion or limitation of implied warranties, so this exclusion may not apply to you.)

This warranty gives you specific legal rights. You may have other statutory rights that vary from state to state or from province to province, in which case this warranty does not affect such statutory rights.

For service under this warranty, it is suggested that a claim be made through the contractor or dealer from or through whom the product was purchased, or that a service request (including a description of the product model and of the defect) be sent to the following address:

In the United States:
 American Standard Inc.,
 P.O. Box 6820
 Piscataway, New Jersey 08855
 Attention: Director of Consumer Affairs
 For residents of the United States, warranty information may also be obtained by calling the following toll free number: (800) 442-1902
www.americanstandard-us.com

In Canada:
 American Standard,
 2480 Stanfield Rd.,
 Mississauga, Ontario
 Canada L4Y 1S2
 Toll Free: (800) 387-0369
www.americanstandard.ca

In Mexico:
 Customer Service Manager
 Ideal Standard, S.A. de C.V.
 Via Morelos #330
 Col. Santa Clara
 Ecatepec 55540 Edo. Mexico
www.americanstandard.com.mx