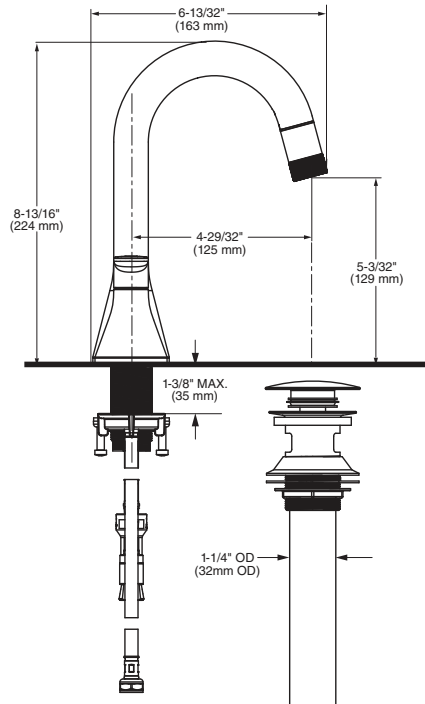


**MODEL NUMBER:**

- 7061821 Two-Handle Widespread Pull-Down Lavatory Faucet  
Metal push pop-up drain. Metal Lever Handles.



**PRODUCT FEATURES:**

**Spout swivels 360°:** For added flexibility and convenience.

**Metal Construction:** Durable. Ideal for prolonged contact with water. Provides the finest surface for application of colors and finishes.

**Ceramic Disc Valve Cartridge:** Assures a lifetime of smooth handle operation and drip-free performance.

**Lead Free:** Faucet contains ≤ 0.25% total lead content by weighted average.

**Easy Install Metal Push Drain:**

- Easy to install, operate and remove clogs.
- Fewer parts. Installs in less time.
- No adjustments required - seals the first time, every time.

**Pulldown Spray:** The pulldown spray is equipped with double check valves to prevent backflow and a flexible hose for easy access to corners of the sink for cleaning purposes. It also features a dual spray function with aerated and shower options that can be easily switched with a finger tip.

**GENERAL DESCRIPTION:**

Metal valve bodies with flexible hose connections for 6" to 12" (152mm to 305mm) installations. 1/4 turn washerless ceramic disc valve cartridges. 24" stainless steel braided flexible supply hoses with 3/8" compression connectors. Metal push pop-up drain body with 1-1/4 inch (32mm) tail piece. 1.2 gpm/4.5L/min. maximum flow rate.

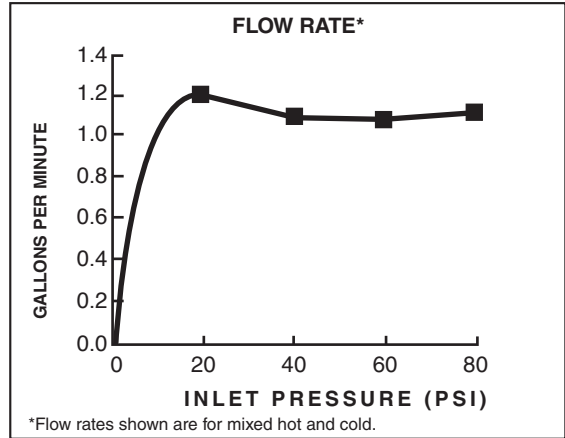
**SUGGESTED SPECIFICATION:**


Two handle widespread pull-down lavatory faucet shall feature metal valve bodies with flexible hose connections for 6" to 12" installations. Shall also feature 1/4 turn washerless ceramic disc valve cartridges. Shall also feature a metal drain body with stainless steel cable actuation. Fitting shall be American Standard Model #7061821.XXX.


**CODES AND STANDARDS**

These products meet or exceed the following codes and standards:

- ANSI A117.1**
- ASME A112.18.1**
- CSA B125.1**
- NSF/ANSI/CAN 61: Q<1**
- NSF/ANSI/CAN 372**



Product Number	Description	Finish Options		
		Polished Chrome	Brushed Nickel	Matte Black
		002	295	243
7061821	Widespread Pull-Down with Metal push pop-up drain. Metal lever handles. 	✓	✓	✓

 Meets the American Disabilities Act Guidelines **ANSI A117.1** Requirements for the physically challenged.