

American Standard

JASMINE

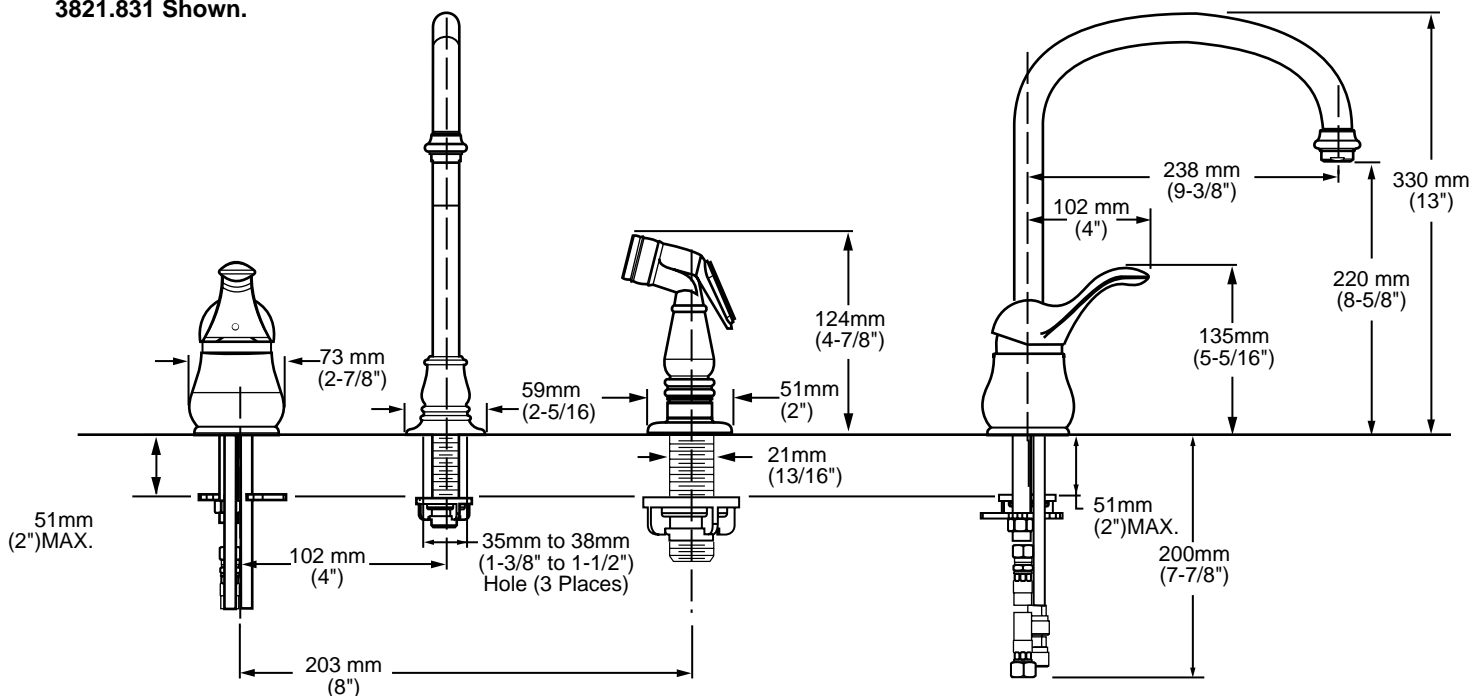
SINGLE CONTROL KITCHEN FAUCET WITH HI-FLOW SPOUT & CONCEALED MOUNTING

MODEL NUMBER:

- 3821.831 Kitchen Faucet With Hi-Flow Spout**
Handspray. 3/8" O.D. copper inlets.
- 3821.834 Kitchen Faucet With Hi-Flow Spout**
Handspray. 1/2" male threaded connectors and nuts.



3821.831 Shown.



GENERAL DESCRIPTION:

Brass body with metal lever handle and 22mm (7/8") diameter Hi-Flow brass swing spout (13" high with 8-5/8" clearance). Handspray. Washerless 47mm ceramic disc valve cartridge. Choice of 3/8" O.D. copper inlets or copper supplies with 1/2" male threaded connectors and nuts. 2.2gpm/8.3L/min. maximum flow rate. Cap provided for less spray application. Flexible hose connections allow for variation in placement of handle, spout and spray.

PRODUCT FEATURES:

Brass and Copper Waterway: Highest quality faucet materials for durability & long life.

Memory Position Valving: Allows user to turn valve on and off at preferred temperature setting without readjusting handle position each time.

Ceramic Disc Valve Cartridge: Assures a lifetime of drip-free performance.

Larger Spout: Increased height, reach and diameter.

Low Lead: Meets NSF Standard 61/Section 9 & Prop 65 lead requirements.

Choice of Finishes: Wide range of durable finishes.

SUGGESTED SPECIFICATION:

Single control kitchen fitting shall feature a brass body with metal handle and brass swing spout. Brass and copper waterways. Shall also feature washerless ceramic disc valve cartridge. Fitting shall be American Standard Model # 3821.____.____.

American Standard

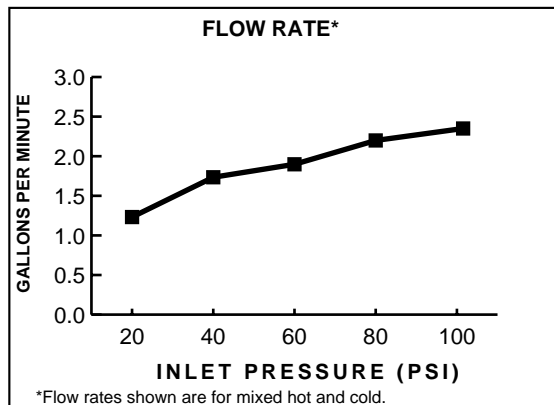
JASMINE

**SINGLE CONTROL KITCHEN FAUCET
WITH HI-FLOW SPOUT & CONCEALED MOUNTING**


CODES AND STANDARDS

These products meet or exceed the following codes and standards:

ANSI A117.1
ASME A112.18.1M
NSF 61/Section 9



Product Number	Description	Finish Options								
		Polished Chrome	White	Bone	White/Chrome mix	PVD Blacksmith	PVD Polished Brass	PVD Satin	PVD Satin/Brass mix	Chrome/PVD Brass mix
		002	020	021	025	078	099	295	297	299
3821.831	Kitchen Faucet. Handspray. 3/8" O.D. copper inlets.									
3821.834	Kitchen Faucet. 1/2" male threaded connectors and nuts.									

 Meets the American Disabilities Act Guidelines and **ANSI A117.1** Requirements for the physically challenged.